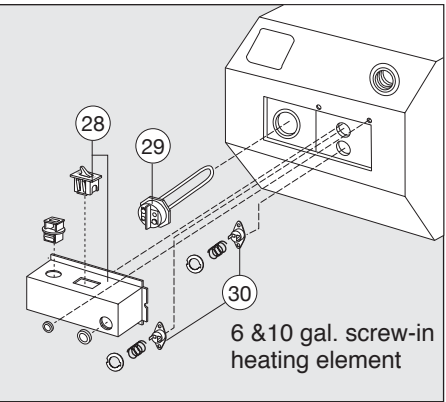
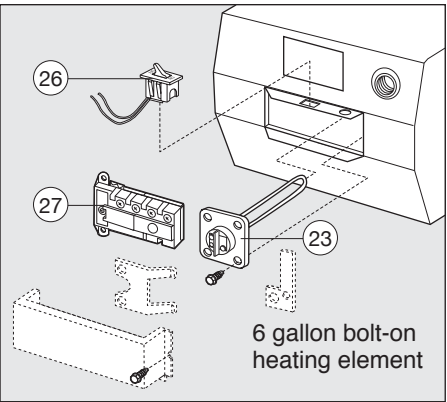
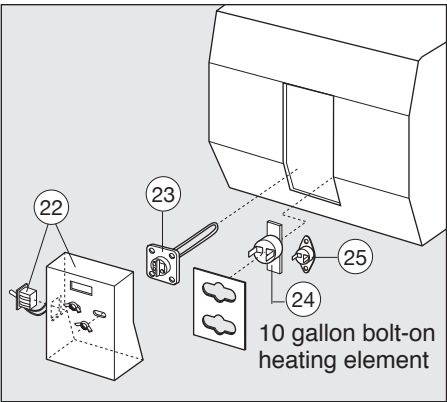
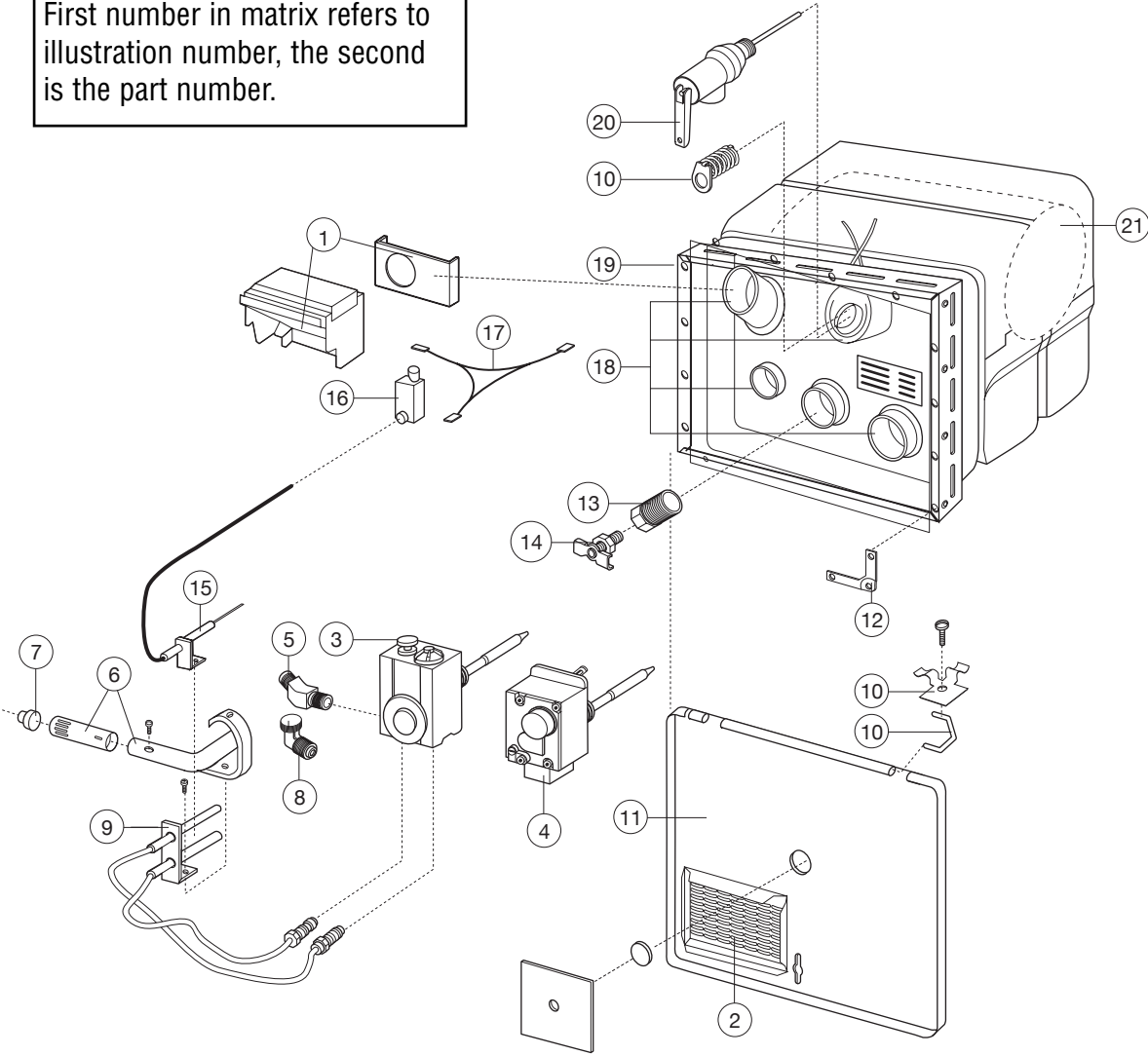


Pilot Water Heater 6-10 Gallon

First number in matrix refers to illustration number, the second is the part number.



Pilot Water Heaters

REPLACEMENT PART REFERENCE January 2007

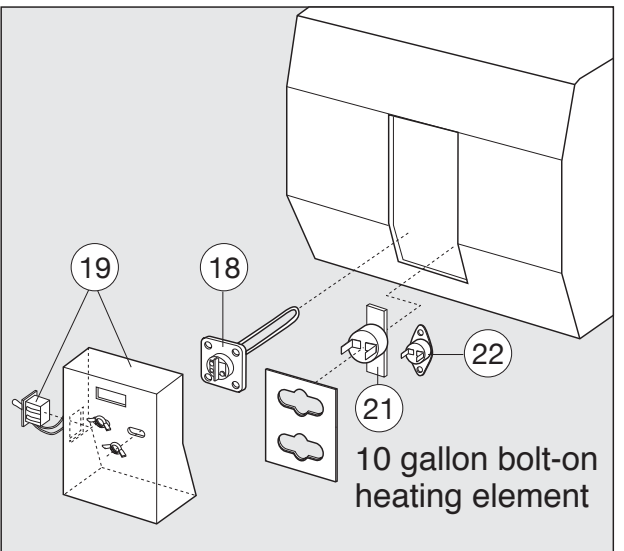
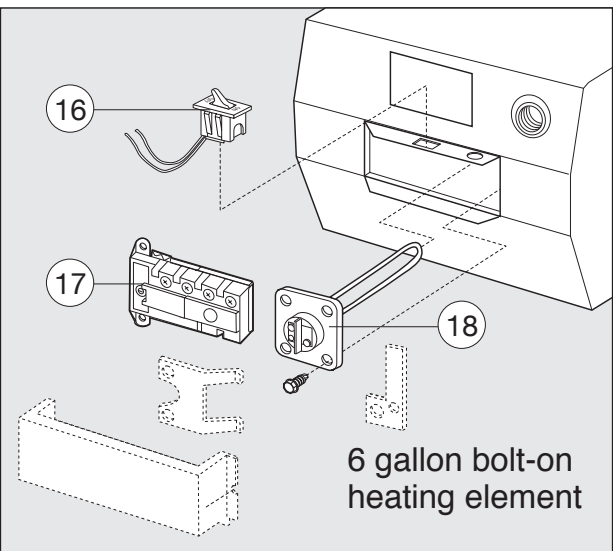
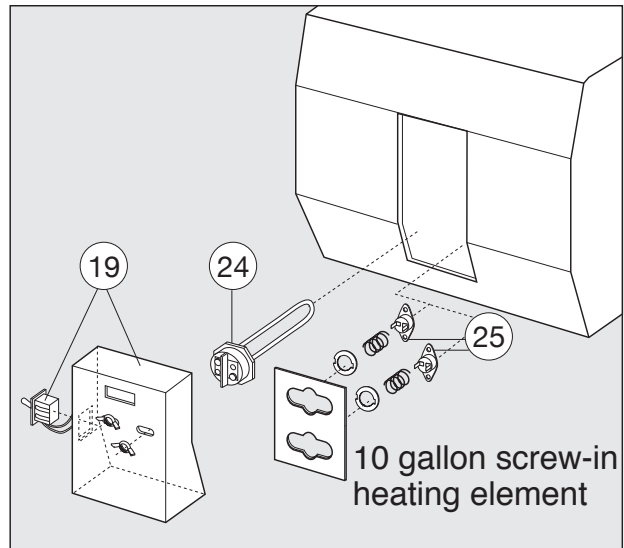
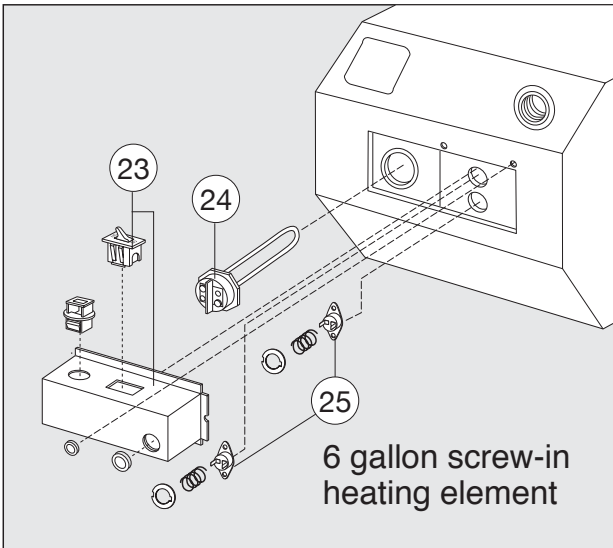
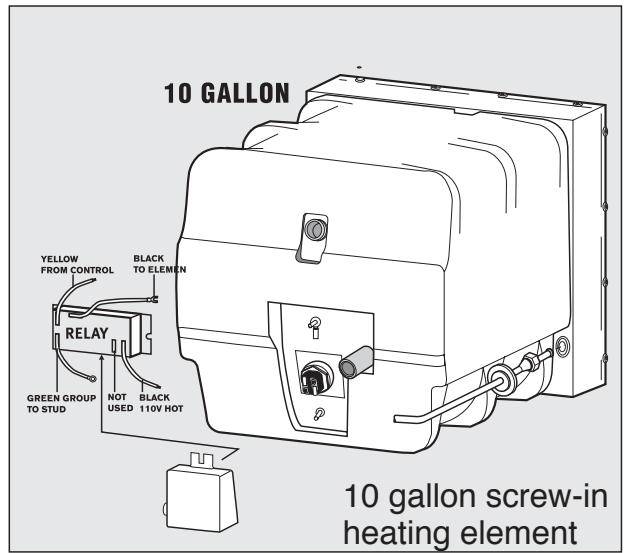
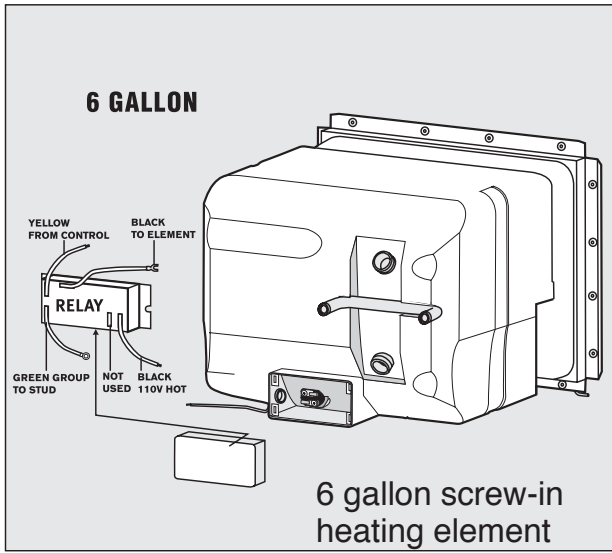
		GC6A, GC6A-3, GC6A-6, GC6A-7	G6A, G6A-2, G6A-3, G6A-6, G6A-6P, G6A-7, G6A-7P	GH6-3, GH6-6, GH6-7	GC6AA-7, GC6AA-7P	GC6AA-8, GC6AA-8P	G610-3, G610-3E, GH610-3	G10B, G10C	GC10A-2	GC10A-2P	GC10-1, GC10-2, GC10-2P	G10-2, G10-2P	G4SM
N/S	93212	Pilot Relight Kit - battery operated Retrofits on all pilot model water heaters											
N/S	92973	X	X				X						
N/S	92610	X	X	X	X	X	X	X	X	X	X	X	X
N/S	91285	X	X	X	X	X			X	X	X	X	
1	90960	X	X	X	X	X	X	X	X	X	X	X	X
2	92640	X	X	X	X	X	X		X	X	X	X	X
3	91602	X	X	X	X	X	X	X	X	X	X	X	X
4	91601	X	X	X	X	X	X	X	X	X	X	X	X
5	91044						X	X					X
	91347	X	X	X	X	X							X
6	92615	X	X	X	X	X		X					
	93221								X	X	X	X	
7	92742	X	X	X	X	X							
	93914							X	X	X			
8	91441								X	X	X	X	
	92741	X	X	X	X	X							X
9	91603	X	X	X	X	X	X	X	X	X	X	X	X
10	91858	X	X	X	X	X	X		X	X	X	X	X
11	91514	X	X	X	X	X	X						X
	93993								X	X	X	X	
12	91928	X	X	X	X	X	X	X	X	X	X	X	X
13	91857	<i>Measure drain coupling</i>											
14	92698	<i>Measure drain coupling</i>											
15	93804		X		X	X				X	X	X	
16	93801		X			X						X	
17	93803		X			X						X	
18	96010	X	X	X	X	X							X
19	91796	X	X	X	X	X							X
	93935								X	X	X	X	
20	91604	X	X	X	X	X	X	X	X	X	X	X	X
20	90028		X			X							
21	92220	X	X	X	X	X							X
	92221	X	X	X	X	X							X
21	91238						X	X	X	X	X	X	
	91239						X	X	X	X	X	X	
22	91182								X				
23	91580	X									X		

Pilot Water Heaters

REPLACEMENT PART REFERENCE January 2007

			GC6A, GC6A-3, GC6A-6, GC6A-7	G6A, G6A-2, G6A-3, G6A-6, G6A-6P, G6A-7, G6A-7P	GH6-3, GH6-6, GH6-7	GC6AA-7, GC6AA-7P	GC6AA-8, GC6AA-8P	G610-3, G610-3E, GH610-3	G10B, G10C	GC10A-2	GC10A-2P	GC10-1, GC10-2, GC10-2P	G10-2, G10-2P	G4SM
24	92942	110VAC E.C.O. Switch (NLA)								X	X	X		
25	92943	110VAC 140° Thermostat								X	X	X		
26	91092	110VAC On/Off Rocker Switch (6 Gal.)	X			X	X							
	91089	110VAC On/Off Rocker Switch (10 Gal.)								X	X	X		
27	91853	110 VAC Thermostat (Rectangle) (NLA)	X									X		
28	91116	110VAC On/Off Switch & Jct Box (6 Gal.)					X							
29	92249	110 VAC Element/Gasket (screw-in)	X			X	X			X	X	X		
30	91873	Thermostat/E.C.O. 110 VAC	X			X	X			X	X	X		
N/S	91591	Conversion to Pilot 6 gallon 110VAC		X										
N/S	91596	Conversion to Pilot 10 gallon 110VAC										X	X	

Electric Side Combination Water Heaters



Electronic Water Heaters

REPLACEMENT PART REFERENCE January 2007

		GCH6-4E, GCH6-6E, GCH6-7E, GC6A-7E	GH6-6E, GH6-7E, GH6-8E	G6A-6E, G6A-7E, G6A-8E	GCH6A-7E, GCH6A-8E, GCH6A-9E	GC6AA-7E, GC6AA-8E, GC6AA-9E	GCH10A-2E, GCH10A-3E, GC10A-2E, GC10A-3E	G10-1E, GH10-1E	G610-3E, GH610-3E	G10-2E G10-3E	GC10-1E, GC10-2E	GH10-2E, GH10-3E	G6A-2E, GH6-3E	G6A-3E, GH6-3E, GH6-4E, G6A-4E	GCH6A-10E, GC6AA-10E	GC10A-4E, GCH10A-4E
a	91470	130° Front Mount thermostat (not shown)	X	X	X	X	X	X	X	X	X	X	X	X	X	X
	93105	Adjustable Thermostat (retrofits front-mount thermostats) (not shown)	X	X	X	X	X	X	X	X	X	X			X	X
	92610	Gas Line Grommet (not shown)	X	X	X	X	X	X	X	X	X	X			X	X
1	90960	Flue Box and Gasket	X	X	X	X	X	X	X	X	X	X	X	X	X	X
2	92640	Grille, New Style in Door	X	X	X	X	X	X		X	X	X			X	X
2	90002	Extended Grille	X	X	X	X	X	X		X	X	X			X	X
3	91514	Access Door (6 Gal.) Colonial White	X	X	X	X							X	X	X	
3	93993	Access Door (10 Gal.)					X	X	X	X	X	X				X
NS	91420	Potted Circuit Board (post electrode connection)	<i>No Longer Available (Use 91504)</i>													
--	91504	Ignition Control Kit Includes 93865 & 93868														
4A	93865	Potted Circuit Board (Spade Electrode Connection)	X	X	X	X	X	X	X	X	X	X	X	X		
4B	93851	Potted Circuit Board - Combo													X	X
5	91606	Electrode (Remote Sense) WSL														
5A	93868	Electrode (Local Sense)	X	X	X	X	X	X	X	X	X	X	X	X	X	X
6	93189	Wiring Harness	X	X	X	X	X	X	X	X	X	X	X	X		
6	93191	Wiring Harness Combo													X	X
7	91044	45° Elbow 3/8"	X	X	X	X	X	X	X	X	X	X	X	X	X	X
8	93870	White Rodger Valve (6 & 10 Gal.)	X	X	X	X	X	X	X	X	X	X	X	X	X	X
8A	93243	Gas Valve Bracket - (6 Gal.) (Use with 93870)	<i>No Longer Available</i>													
	93862	Gas Valve Bracket - (10 Gal.) (Use with 93870)	<i>No Longer Available</i>													
8B	94787	Gas Valve Bracket - 1 piece			X	X	X			X		X	X		X	X
9	91563	Orifice Holder	X	X	X	X	X	X	X	X	X	X	X	X	X	X
10	92742	Orifice - Main Burner/6 Gallon	X	X	X	X	X								X	
10	93914	Orifice - Main Burner/10 Gallon					X	X	X	X	X					X
11	91638	Main Burner 6 Gallon	X	X	X	X	X								X	
11	96206	Main Burner 10 Gallon				X	X		X	X	X	X				X
12	91858	Door Hardware Kit	X	X	X	X	X	X	X	X	X	X	X	X	X	X
13	91928	Set of 4 Corner Brackets	X	X	X	X	X	X	X	X	X	X	X	X	X	X
14	96010	Ring & Gasket Kit for service tank	X	X	X	X	X	X		X	X	X	X	X	X	X
15	92220	Styrofoam tank cover - bottom	X	X	X	X	X							X	X	
	92221	Styrofoam tank cover - top	X	X	X	X	X							X	X	
	91238	Styrofoam tank cover - bottom					X	X	X	X	X	X	X			X
	91239	Styrofoam tank cover - top					X	X	X	X	X	X	X			X
15-A	91802	Drawn Pan (Electronic 6 Gallon)	X	X	X	X	X								X	
15-A	93871	Drawn Pan (Electronic 10 Gal.)				X	X	X	X	X	X					X

Electronic Water Heaters

REPLACEMENT PART REFERENCE January 2007

			GCH6-4E, GCH6-6E, GCH6-7E, GC6A-7E	GH6-6E, GH6-7E, GH6-8E	G6A-6E, G6A-7E, G6A-8E	GCH6A-7E, GCH6A-8E, GCH6A-9E	GC6AA-7E, GC6AA-8E, GC6AA-9E	GCH10A-2E, GCH10A-3E, GC10A-2E, GC10A-3E	G10-1E, GH10-1E	G610-3E, GH610-3E	G10-2E G10-3E	GC10-1E, GC10-2E	GH10-2E, GH10-3E	G6A-2E, GH6-3E	G6A-3E, GH6-3E, GH6-4E, G6A-4E	GCH6A-10E, GC6AA-10E	GC10A-4E, GCH10A-4E
16	91092	110VAC on/off Switch (6 Gal.)	X			X	X										
16	91089	110VAC On/Off Switch (10 Gal.)						X				X					
17	91853	110 VAC Thermostat (Rect) NLA	X					X			X						
18	91580	110 VAC Element (Bolt-on)	X								X						
19	91182	110VAC On/Off Switch & Jct Box						X					X				
21	92942	110VAC E.C.O.										X					
22	92943	110VAC 140° Thermostat										X					
23	91116	110VAC On/Off Switch & Jct Box				X	X										
24	92249	110VAC Elmnt/Gskt (screw-in) Kit	X		X	X	X	X							X	X	X
25	91873	Thermostat/E.C.O. 110 VAC	X			X	X	X									
28	91447	Front Mount E.C.O./thermostat	X	X	X	X	X	X	X	X	X	X	X		X	X	X
29A	91857	Drain Plug Kit 1/2"	X	X	X	X	X	X	X	X		X	X	X	X	X	X
29B	92698	Petcock Drain Valve 1/8" WSL									X						
30	91604	Pressure Relief Valve - 1/2"	X	X	X	X	X	X	X	X	X	X	X	X	X	X	X
30	90028	Pressure Relief Valve - 3/4"		X	X						X		X			X	X
31A	91859	Switch 12 VDC-White	X	X	X	X	X	X	X		X	X	X	X	X		
31A	91959	Switch 12 VDC-Black	X	X	X	X	X	X	X		X	X	X	X	X		
31B	91230	Switch 12 VDC-White Combo														X	X
33	93866	Thermal Cut-off	X	X	X	X	X	X	X	X	X	X	X	X	X	X	X
N/S	90145	Fuse, Mini 2AMP	X	X	X	X	X	X			X	X	X			X	X
N/S	93849	Relay														X	X
N/S	91222	Junction Box 110V - 6 gal														X	
N/S	91224	Junction Box 110V - 10 gal															X
N/S	91223	Junction Box Cover for 6 gal															
N/S	94231	Recessed Flange - 10 gal															
N/S	94514	Recessed Flange - 6 gal															



A Division of Dura Automotive Systems

1120 North Main Street • Elkhart, IN 46514

PHONE: 574•264•2131 FAX: 574•262•2550

INTERNET: <http://www.atwoodmobile.com>



XT WATER HEATER MPD 92690

REPLACEMENT VALVE KIT

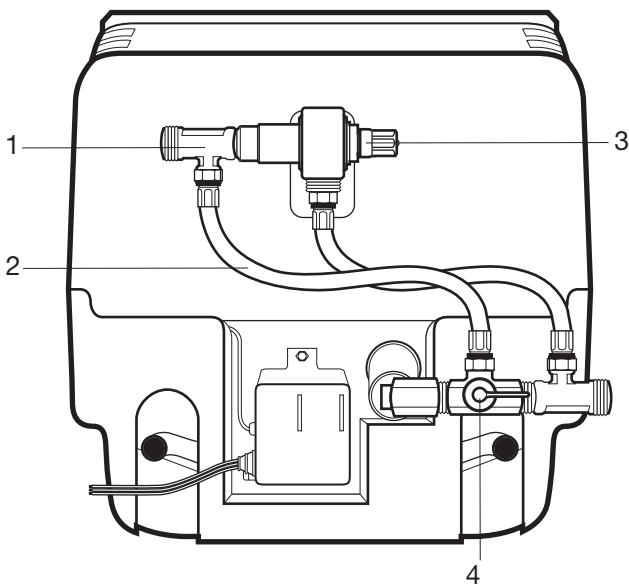
10 GALLON

PATENT PENDING

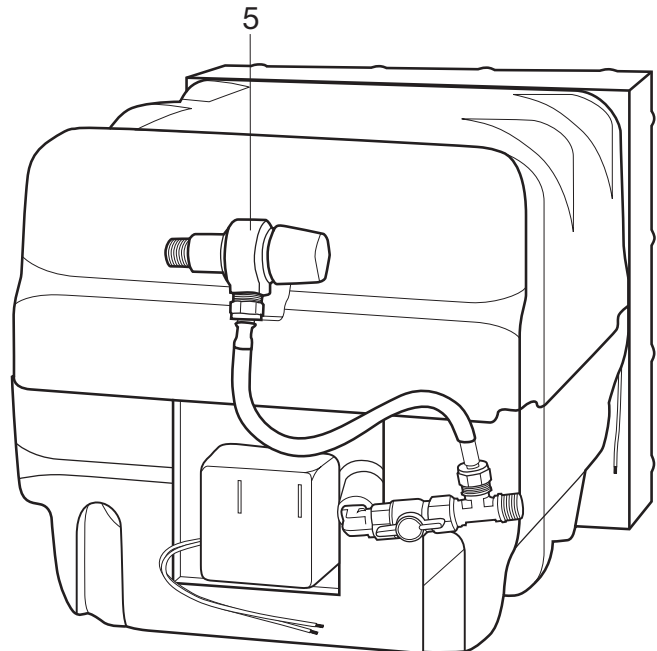
ENGLISH, FRANCAIS (et Canada)

•Installation

Effective 8/25/05



10 GALLON TE
2004-2005

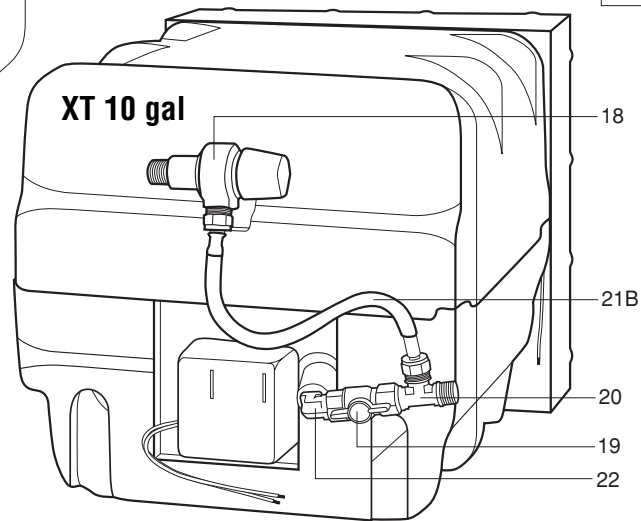
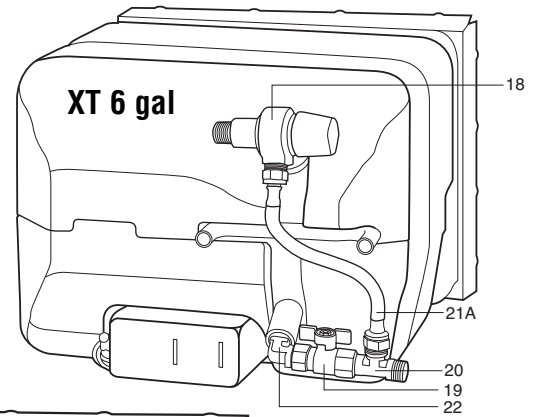
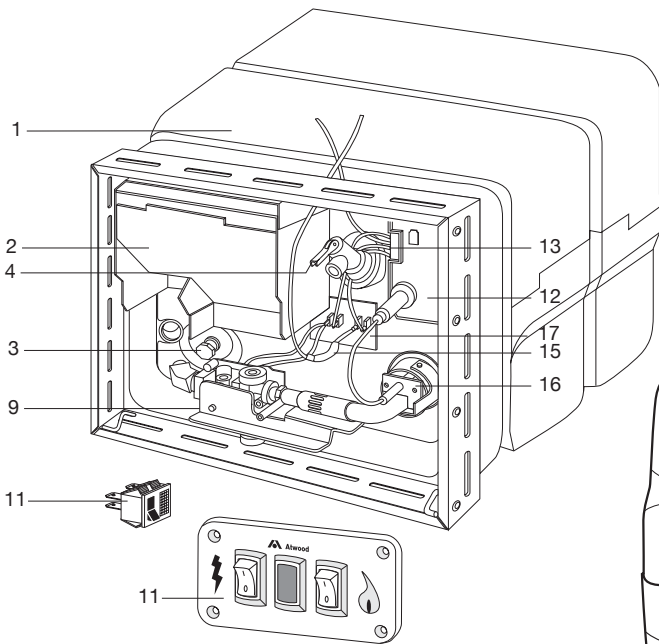


10 GALLON XT
NEW FOR 2005-2006

1. Remove water lines (1), flexible hoses (2), mixing valve (3) and inlet plumbing components (4).
2. Install new mixing valve (5) with teflon tape. Use three wraps and pipe thread sealer to leading threads and install to minimum 35 ft/lbs.
3. Install male/male 90 degree fitting with a minimum of three wraps of teflon tape, stopping at approximately 1 o'clock on last turn.
4. Assemble tee to ball valve using a minimum of three wraps of teflon tape.
5. Install valve/tee assembly to elbow using a minimum of three wraps of teflon tape.
6. Finish turn on completed elbow/valve/tee assembly to horizontal position.
7. Adjust tee and valve so valve handle operates and tee is pointing branch thread upward.
8. Install flexible hose following instructions on hose tag.
9. Reconnect water lines. Apply Valve Position Sticker on back near valve.
10. Pressurize system to maximum 50 psi and check all connections for leaks with leak detecting solution.

XT WATER HEATER PART IDENTIFICATION

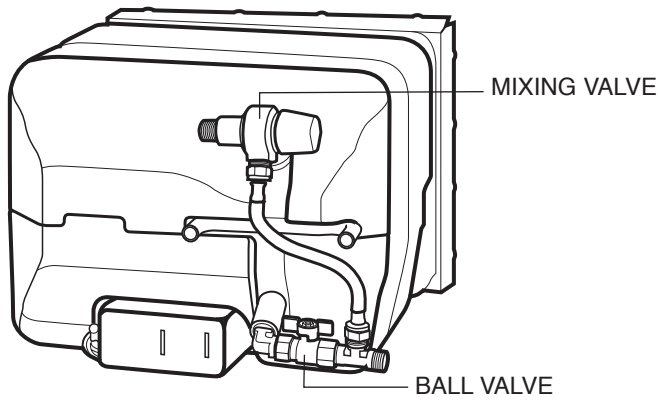
SPARK IGNITION
HEAT EXCHANGE
COMBINATION GAS/ELECTRIC



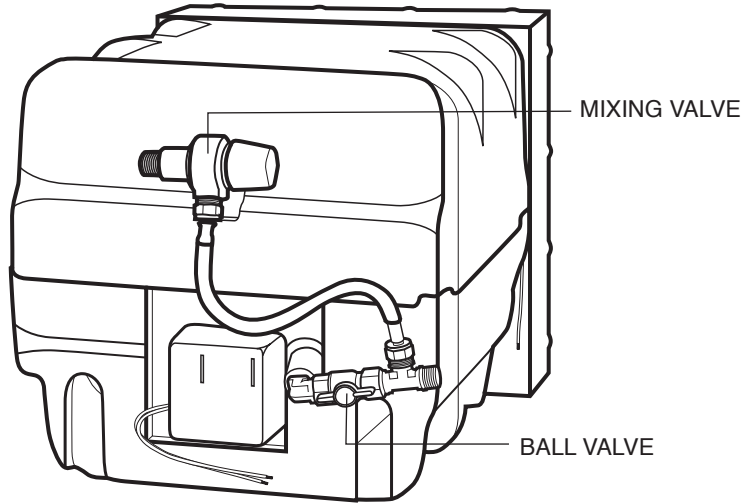
- * All tanks includes styrofoam jacket =
- x Order by model
- ✓ order by color

ITEM	6 GALLON	10 GALLON		
REFERENCE	22 LITRES	38 LITRES	SPARK IGNITION	ALLUMAGE PAR ÉTINCELLE
1	x	x	*Tank	*Réservoir
2	90960	90960	Flue Box Assembly	Boîtier du conduit
3	91857	91857	Drain Plug	Bouchon de vidange
4A	91604	91604	Pressure-Temperature Relief Valve 1/2" NPT	Soupape de décharge de type
4B	90028	90028	Pressure-Temperature Relief Valve 3/4" NPT	Soupape de décharge de type
9	93870	93870	Solenoid Valve	Électrovanne
11	91959	91959	Black on-Off Switch	Interrupteur Marche/Arrêt noir
	91859	91859	White On-Off Switch	Interrupteur Marche/Arrêt blanc
	91230	91230	Dual Switch	
12	93851	93851	Circuit Board	Circuit imprimé
13	93191	93191	Wiring Harness	Faisceau électrique
15	93866	93866	Thermal Cut Off	Coupeur thermique
16	93868	93868	Spark Probe	Détecteur d'étincelle
17	91547	91547	ECO/T-STAT (kit)	Thermostat
			HEAT EXCHANGE	ÉCHANGE DE CHALEUR
1		x	*Tank	*Réservoir
			COMBINATION GAS/ELECTRIC	GAZ - ÉLECTRICITÉ COMBINÉS
1	x	x	*Tank	*Réservoir
NS	92249	92249	Heating Element & Gasket	Élément de chauffe et joint
NS	93849	93849	Relay	Relais
18	90029	90029	Mixing Valve	
19	90030	90030	Ball Valve	
20	90031	90032	Tee	
21A	90032		9" Hose (6 gallon)	
21B		90033	12" Hose (10 gallon)	
22	90034	90034	Elbow	
		92690	10 Gal Replacement Valve Kit	

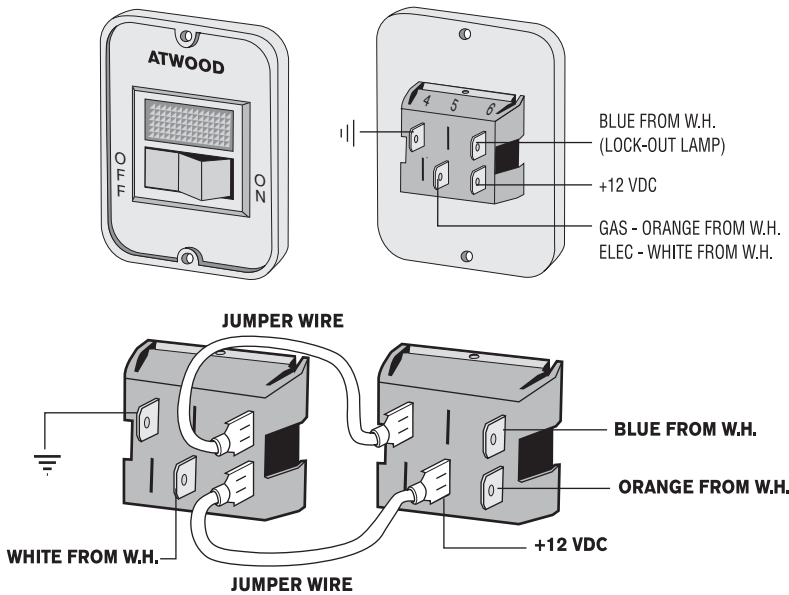
9 6 GALLON



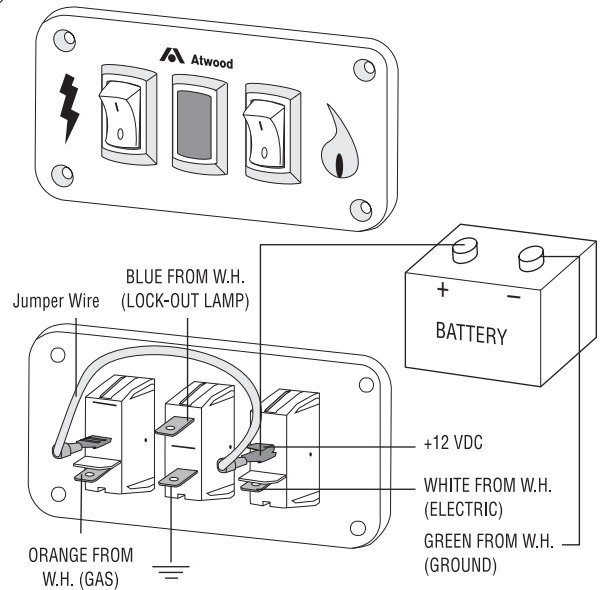
10 GALLON



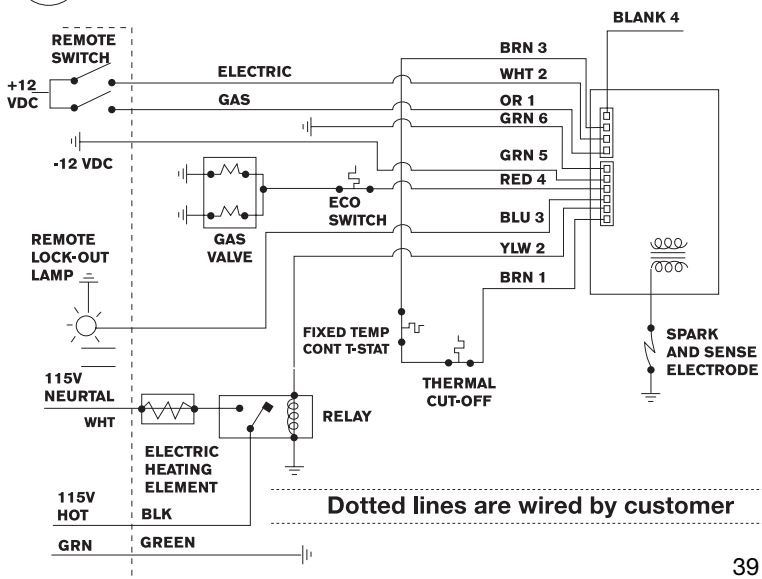
10 SINGLE SWITCH



11 DUAL SWITCH

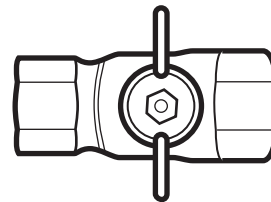


12 WIRING DIAGRAM COMBINATION GAS/ELECTRIC

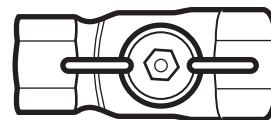


13

WINTERIZED



IN USE



SERVICE TANK KIT PART NUMBERS

**REPLACEMENT PART REFERENCE
February 2007**

	91411	91412	91591	91592	91593	91596	91641	91642	93950	93952	93953	94205	91059	91053	91060	91028
MODELS																
GAS																
G6A-2, G6A-3, G6A-6, G6A-7		●														
G10-1, G10-2												●				
GAS PILOT-RELIGHT																
G6A-6P, G6A-7P		●														
GC6AA-7P, GC6AA-8P			●													
GAS/PILOT RELIGHT COMBINATION																
GC10-2P						●										
G10-1P, G10-2P												●				
GC10A-2P, GC10A-3P						●										
GAS & ELECTRONIC IGNITION																
GH10-1E, GH10-2E, GH10-3E										●						
G10-1E, G10-2E, G10-3E, G16-EXT									●							
G6A-4E, G6A-6E, G6A-7E, G6A-8E, G9-EXT							●									
GH6-4E, GH6-6E, GH6-7E, GH6-8E								●								
GAS/ELECTRIC & ELECTRONIC IGNITION																
GCH6-4E, GCH6-6E, GCH6-7E				●												
GC6A-7E					●											
GCH10A-4E, GEH16-EXT																●
GCH10A-1E, GCH10A-2E, GCH10A-3E											●					
GC10A-4E, GE16-EXT															●	
GC10A-1E, GC10A-2E, GC10A-3E											●					
GC10-1E, GC10-2E											●					
GCH10-2E											●					
GAS/ELECTRIC COMBINATION																
GC6A-3, GC6A-6, GC6A-7, GC6AA-7, GC6AA-8			●													
GCH6A-7E, GCH6A-8E, GCH6A-9E				●												
GCH6A-10E, GEH9-EXT															●	
GC6AA-7E, GC6AA-8E, GC6AA-9E					●											
GC6AA-10E, GE9-EXT													●			
GC10-1, GC10-2						●										
GC10A-2, GC10A-3						●										
HEAT EXCHANGE																
GH6-3, GH6-6, GH6-7	●															

NO REPLACEMENT TANK FOR G6A-3E

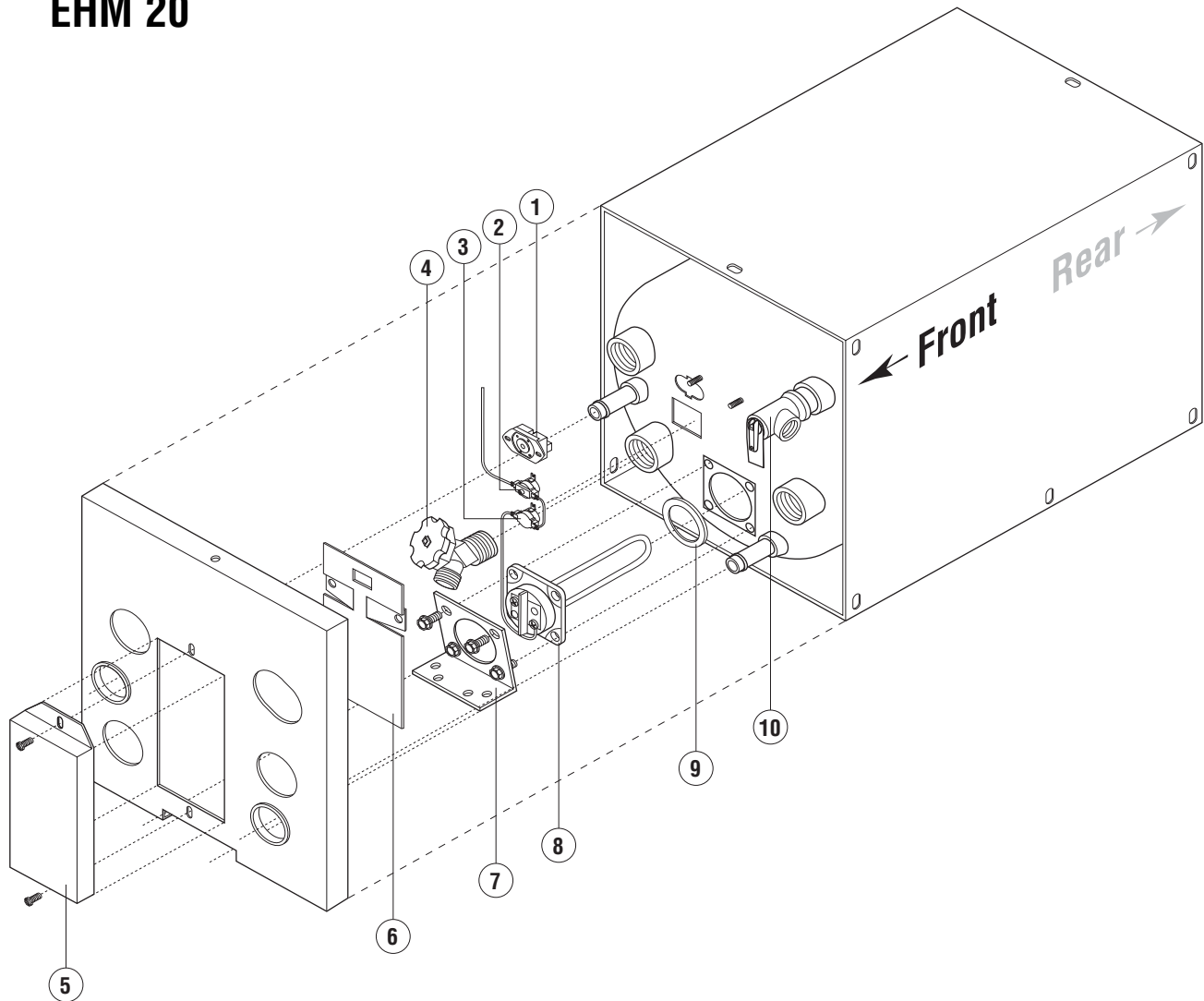
INNER TANK INCLUDES THE FOLLOWING:

- All tanks include the insulation jacket, rings and gaskets.
- On all combination gas/110VAC tanks, in addition to the items mentioned above, they will also come equipped with the 110VAC heating components attached (junction box, thermostat, ECO and heating element).
- Current combination gas/110VAC models have the thermostat and ECO located on the front side and are not installed on replacement tanks.

**EHM 4-SM
EHM 6-SM
EHM 11-SM
EHM 20**

ELECTRIC WATER HEATER

ALL MARINE WATER HEATER CAPACITIES



ITEM	PART #	DESCRIPTION
1/2/3	90037	Thermostat Kit, with ECO, plate, wires (110V)
	90041	Thermostat Kit, with ECO, plate, wires (220V)
4	93403	Drain Valve 3/4"
5	90045	Access Cover (NEW STYLE)
6	92236	Insulator
7	91498	Front & Rear Mounting Bracket (4 & 6 gal)
	91499	Front & Rear Mounting Bracket (11 & 20 gal)
8	91580	Heating Element (110V) and gasket
	91581	Heating Element (220V) and gasket
9	92679	Gasket Heating Element (110V)
	91098	Gasket Heating Element (220V)
10	91604	Relief Valve (150 psi) 1/2" - NPT
	92655	Relief Valve (75 psi) 1/2" - NPT
	90028	Relief Valve (150 psi) 3/4" - NPT
	92647	Relief Valve (75 psi) 3/4" - NPT
N/S	91459	Thermostat for Solenoid Valve (EHP10)
N/S	91782	Solenoid Valve (EHP10)
N/S	91781	Water Valves (EHP10)