



When ordering parts, always state:  
 MODEL NO. - PRODUCT NO. - QUANTITY -  
 PART NUMBER - DESCRIPTION  
 For Electric Details also state:  
 VOLTAGE - WATTAGE

## REFRIGERATOR PARTS LIST MODEL RM7401L

**USA**  
 SERVICE OFFICE  
 Dometic Corporation  
 2320 Industrial Parkway  
 Elkhart, IN 46516  
 574-294-2511

**CANADA**  
 Dometic Corporation  
 46 Zatonski, Unit 3  
 Brantford, ON N3T 5L8  
 CANADA  
 519-720-9578

**For Service Center  
 Assistance Call:**  
 800-544-4881

Product Number	Model Number	Voltage	Refrig. Frame Color	Door Style	Door/Door Trim Color	Market	Brand
921086445	RM7401L	120VAC	Gray	Standard	Gray	USA, Can	Dometic
921086475	RM7401L	120VAC	Gray	Standard	Gray	AD- AT-BA BE-BG-R HR-HU-IE IS-IT-LU MC-MT-NL NO-PL-PT RU-SE-SI SK- SM-TR UA-YU	Dometic
921086498	RM7401L	120VAC	Gray	Standard	Gray	US	Dometic
921086528	RM7401L	120VAC	Gray	Standard	Gray	USA, Can	Dometic
921086529	RM7401L	120VAC	Gray	Standard	Gray	USA, Can	Dometic

# PARTS LIST

**MODEL**  
 RM7401L  
**Series**

**REVISION:**  
 Form No. 3309909.035 11/07  
 (Replaces 3309909.020)  
 ©2007 Dometic Corporation  
 LaGrange, IN 46761

## ALPHABETICAL INDEX

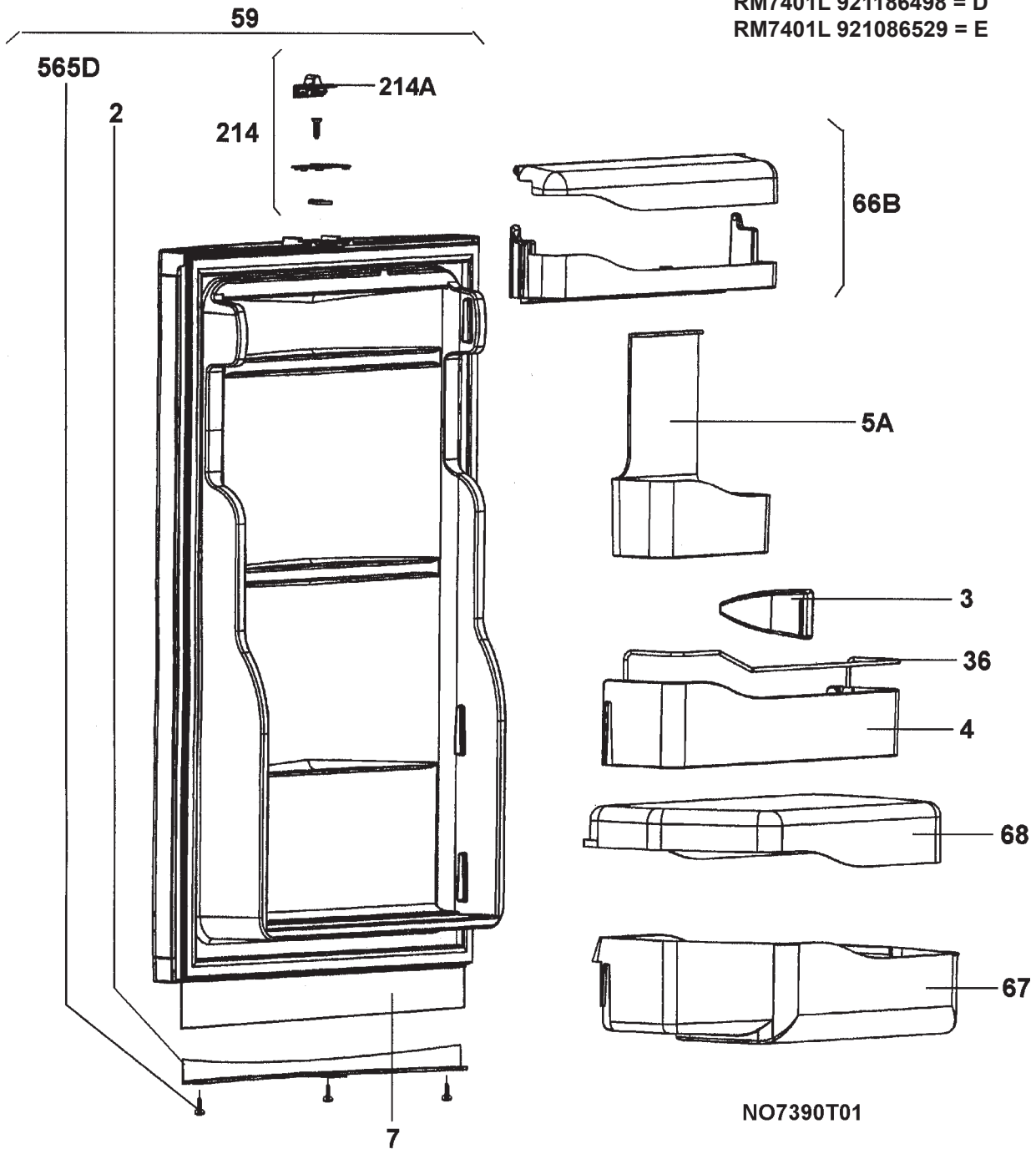
	Page#	Index#
Cabinet, Components.....	5-6	202-565K
Cabinet Rear Components.....	9-10	101-327
Door Assm.....	3-4	2-565D
Gas Equipment.....	7-8	26-569
Wiring Diagram.....	11	—

## SPECIFICATIONS

Model	RM7401L
<b>Product Number*</b>	921086445 921086475 921086498 921086528 921086529
<b>Energy Source**</b>	12VDC, 120 VAC, Gas
<b>AC Heating Element</b>	
Amperage	1.125
Ohm Resis. $\pm$ 10%	107
Wattage	135
<b>DC Heating Element</b>	
Amperage	11.25
Ohm Resis $\pm$ 10%	1.00
Wattage	130
<b>Jet Size</b>	KZ 43
<b>Dimensions</b>	
Width	525mm/20-9/32"
Height	821mm/32-11/32"
Depth	541mm/21-5/16"
Weight	29kg/64lbs
<p>* Product number located on refrigerator data plate.</p> <p>** 12 volt DC power is required to operate the refrigerator controls on all models.</p>	

# DOOR ASSEMBLY

- RM7401L 921086445 = A
- RM7401L 921086528 = B
- RM7401L 921086475 = C
- RM7401L 921186498 = D
- RM7401L 921086529 = E



Only Those Parts Identified With An Index Number Are Available For Service Replacement.

## DOOR ASSEMBLY

RM7401L 921086445 = A

RM7401L 921086475 = B

RM7401L 921186498 = C

RM7401L 921086528 = D

RM7401L 921086529 = E

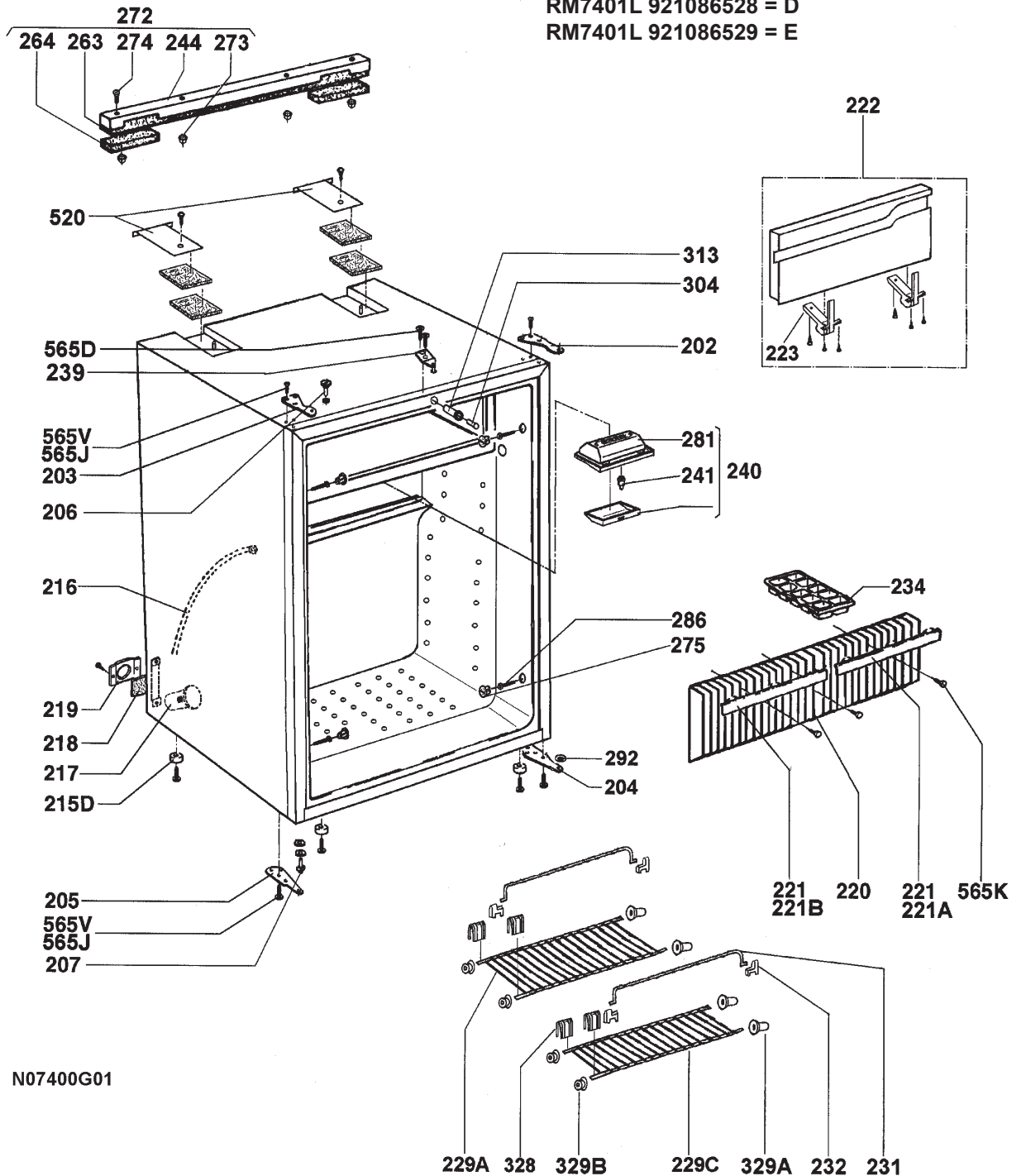
### Index

No.	Part No.	A	B	C	D	E	Description
2	2412737005	A	B	C	D	E	Trim Strip, Gray
3	2412084002	A	B	C	D	E	Bottle Holder, Blue
4	2412077105	A	B	C	D	E	Shelf, Bottom, White L=403.5mm
5A	2412075109	A	B	C	D	E	Shelf, Middle, White L=403.5mm
7	2412113918	A	B	C	--	--	Decoration Plate, Silver
36	2412104131	A	B	C	D	E	Bottle Holder, Wire Silver
59	2412768307	A	B	C	D	E	Door Complete
66B	2412382117	A	B	C	D	E	Shelf, Top, Gray
067	2412078111	A	B	C	D	E	Crisper, Gray
214	2412757300	A	B	C	--	--	Door Lock, Gray
	2412757607	--	--	--	D	E	Door Lock, Gray
214A	2412883304	A	B	C	--	--	Slider, Door Lock, Gray
	2412883403	--	--	--	D	E	Slider, Door Lock, Gray
565D	7296279016	A	B	C	D	E	Screw, C3.5x9.5

Only Those Parts Identified With An Index Number Are Available For Service Replacement.

# CABINET, COMPONENTS

- RM7401L 921086445 = A
- RM7401L 921086475 = B
- RM7401L 921186498 = C
- RM7401L 921086528 = D
- RM7401L 921086529 = E



N07400G01

Only Those Parts Identified With An Index Number Are Available For Service Replacement.

## CABINET, COMPONENTS

RM7401L 921086445 = A

RM7401L 921086475 = B

RM7401L 921186498 = C

RM7401L 921086528 = D

RM7401L 921086529 = E

### Index

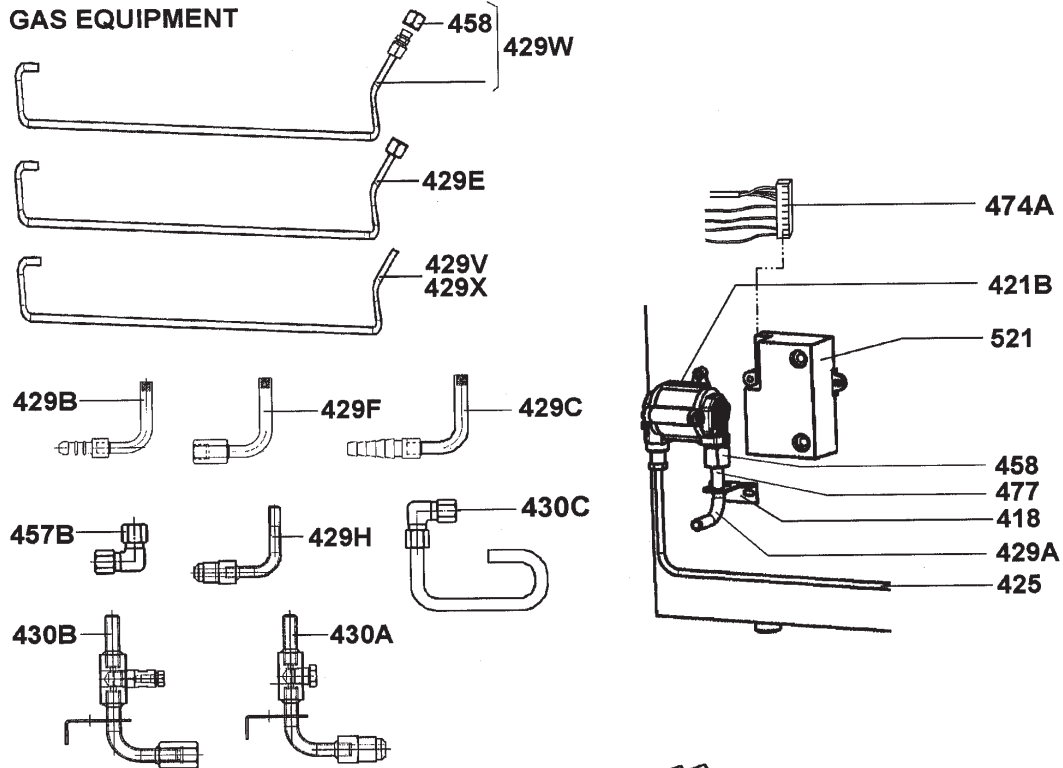
No.	Part No.	A	B	C	D	E	Description
202	2412096204	A	B	C	D	E	Hinge, Upper, RH, Chrome
203	2412097202	A	B	C	D	E	Hinge, Upper LH, Chrome
204	2412098101	A	B	C	D	E	Hinge lower RH, Chrome
205	2412099109	A	B	C	D	E	Hinge, Lower LH, Chrome
206	2923005009	A	B	C	D	E	Bolt, Hinge, Chrome
207	2926265006	A	B	C	--	--	Bolt, Hinge, Chrome
	2926265402	--	--	--	D	E	Hinge Pin, Variable
215D	2923297028	A	B	C	D	E	Foot, Black
216	2923346205	A	B	C	D	E	Hose, Drain
220	2412606408	A	B	C	D	E	Evaporator Fins, Complete
221	2926235140	A	B	C	D	E	Canoopy Cooling Fins, White
222	2412195204	A	B	C	D	E	Door, Freezer
223	2412125003	A	B	C	D	E	Hinge, Frzr Door
229A	2412080000	A	B	C	D	E	Shelf, Bottom,D=6/2.5x217x450
229C	2412080109	A	B	C	D	E	Shelf, Top, D=6/2.5x141x450
231	2951106331	A	B	C	D	E	Bracket Shelf, L=396mm
232	2926011020	A	B	C	D	E	Clamp Holder, White
234	2951132006	A	B	C	D	E	Ice Tray
239	2412884005	A	B	C	D	E	Bracket Door Lock
240	2951641220	A	B	C	D	E	Lighting, Complete, White
241	2951388202	A	B	C	D	E	Lamp 12V/1.5W AC 50Hz
275	2951221031	A	B	C	D	E	Cover Cap, Fixing, White
281	2951643127	A	B	C	D	E	Reflector, Complete, White
286	2926544004	A	B	C	D	E	Bolt
292	2412743110	A	B	C	D	E	Cap, Hinge
304	2951380506	A	B	C	D	E	Sensor, Lighting
313	2951379110	A	B	C	D	E	Sheath Sensor, Black
328	2412082006	A	B	C	D	E	Lock, White
329A	2412083004	A	B	C	D	E	Guide, Shelf, RH, White
329B	2412083103	A	B	C	D	E	Guide, Shelf, LH, White
520	2412095008	A	B	C	D	E	Canopy Cable Grommet, Black
565D	7296279016	A	B	C	D	E	Screw C3.5x9.5
565J	7296342012	A	B	C	D	E	Screw, B8x13
565K	2951230008	A	B	C	D	E	Screw, B4 8x19

**Only Those Parts Identified With An Index Number Are Available For Service Replacement.**

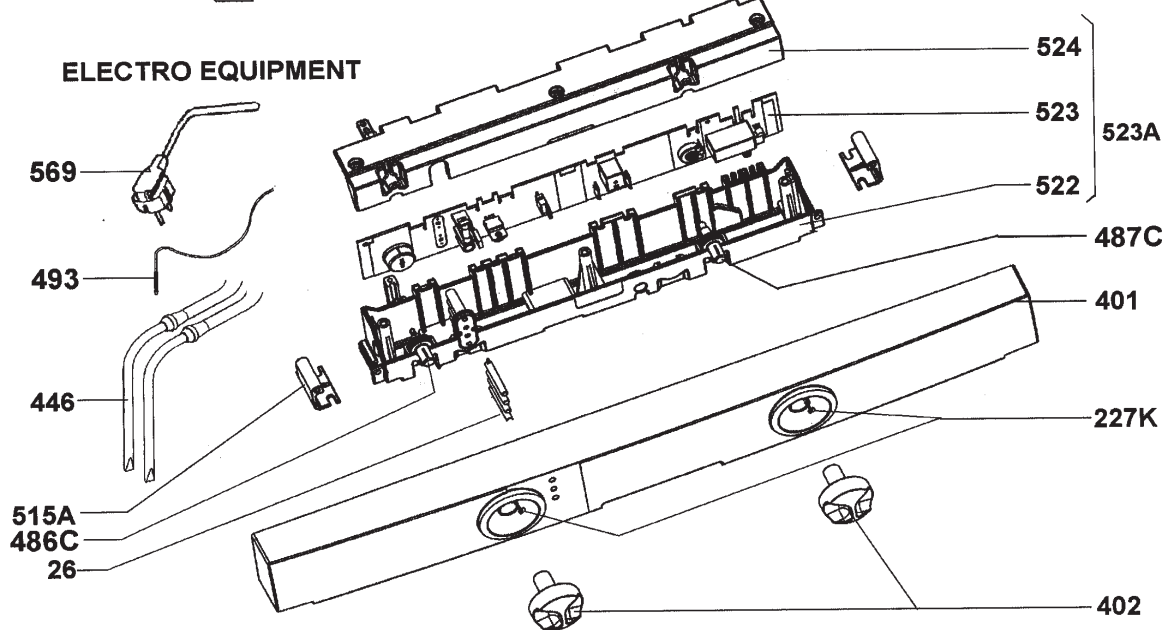
## GAS EQUIPMENT

RM7401L 921086445 = A  
 RM7401L 921086475 = B  
 RM7401L 921186498 = C  
 RM7401L 921086528 = D  
 RM7401L 921086529 = E

### GAS EQUIPMENT



### ELECTRO EQUIPMENT



Only Those Parts Identified With An Index Number Are Available For Service Replacement.

## GAS EQUIPMENT

RM7401L 921086445 = A

RM7401L 921086475 = B

RM7401L 921186498 = C

RM7401L 921086528 = D

RM7401L 921086529 = E

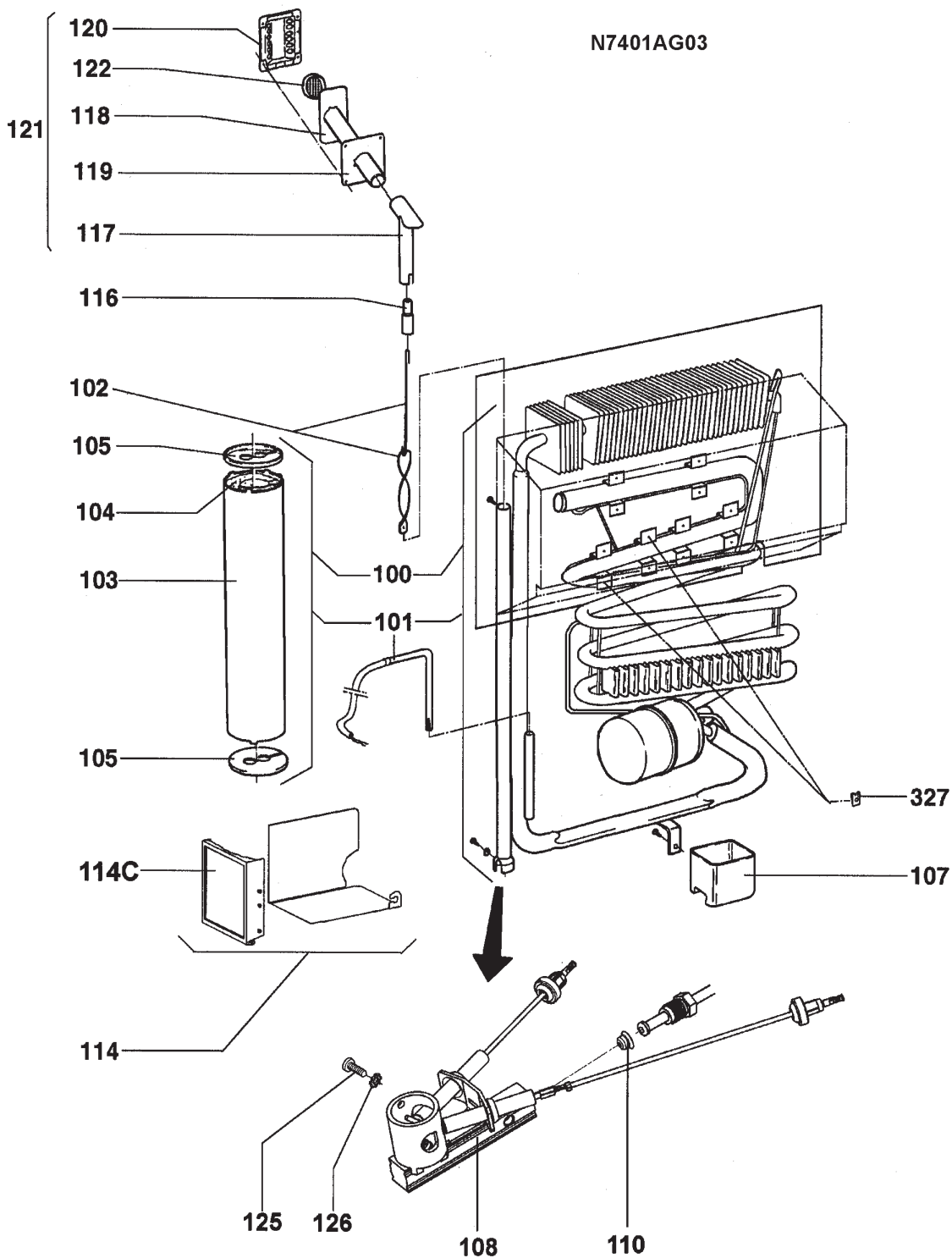
Index No.	Part No.	A	B	C	D	E	Description
--	2412796035	A	B	C	D	E	Connection Wiring
26	2412788503	A	B	C	--	--	Light, Conductor, Control Panel
	2412788511	--	--	--	D	E	Light, Conductor, Control Panel
227K	7295279017	A	B	C	D	E	Screw, RXS B6x10
401	2412933406	A	B	C	--	--	Control Panel, Gray
	2412933901	--	--	--	D	E	Control Panel
402	2412787000	A	B	C	--	--	Knob, Turning, Silver/Gray
	2412787208	--	--	--	D	E	Knob, Gray
418	2926202009	A	B	C	D	E	Bracket, Gas Connection
421B	2412798338	A	B	C	D	E	Gas Valve HEA TEC GV100
425	2412593507	A	B	C	D	E	Gas Inlet Pipe
430A	2412300879	A	B	C	D	E	Gas Connection Complete
446	2951694302	A	B	C	D	E	Heater, 12VDC 130W
	2952170559	A	B	C	D	E	Heater 120VAC 135W
458	2927903100	A	B	C	D	E	Union Nut, M14x1.5
474A	2412796308	A	B	C	D	E	Connection Wire Harness
477	2923191007	A	B	C	D	E	Filter, Gas Connection
486C	2412784106	A	B	C	D	E	Shaft, Selector Switch, Black
487C	2412785004	A	B	C	D	E	Shaft, Temperature, Grey
493	2952248504	A	B	C	D	E	Temperature Probe, L=1100mm
515A	2412786002	A	B	C	D	E	Fixing Bracket
521	2412789006	A	--	--	--	--	Ignition, HEA TEC P810
	2412789105	--	B	C	D	E	Ignitor, Service HEA TEC P810
522	2412769008	A	B	C	D	E	Cabinet Lower Electronic
523A	2412771301	A	B	C	D	E	Electronic, NES 120VAC
524	2412770006	A	B	C	D	E	Cabinet, Top Electronic
569	2412840338	A	B	C	D	E	Cord Power, Black

**Only Those Parts Identified With An Index Number Are Available For Service Replacement.**



### CABINET REAR COMPONENTS

- RM7401L 921086445 = A
- RM7401L 921086475 = B
- RM7401L 921186498 = C
- RM7401L 921086528 = D
- RM7401L 921086529 = E



Only Those Parts Identified With An Index Number Are Available For Service Replacement.

## CABINET REAR COMPONENTS

RM7401L 921086445 = A

RM7401L 921086475 = B

RM7401L 921186498 = C

RM7401L 921086528 = D

RM7401L 921086529 = E

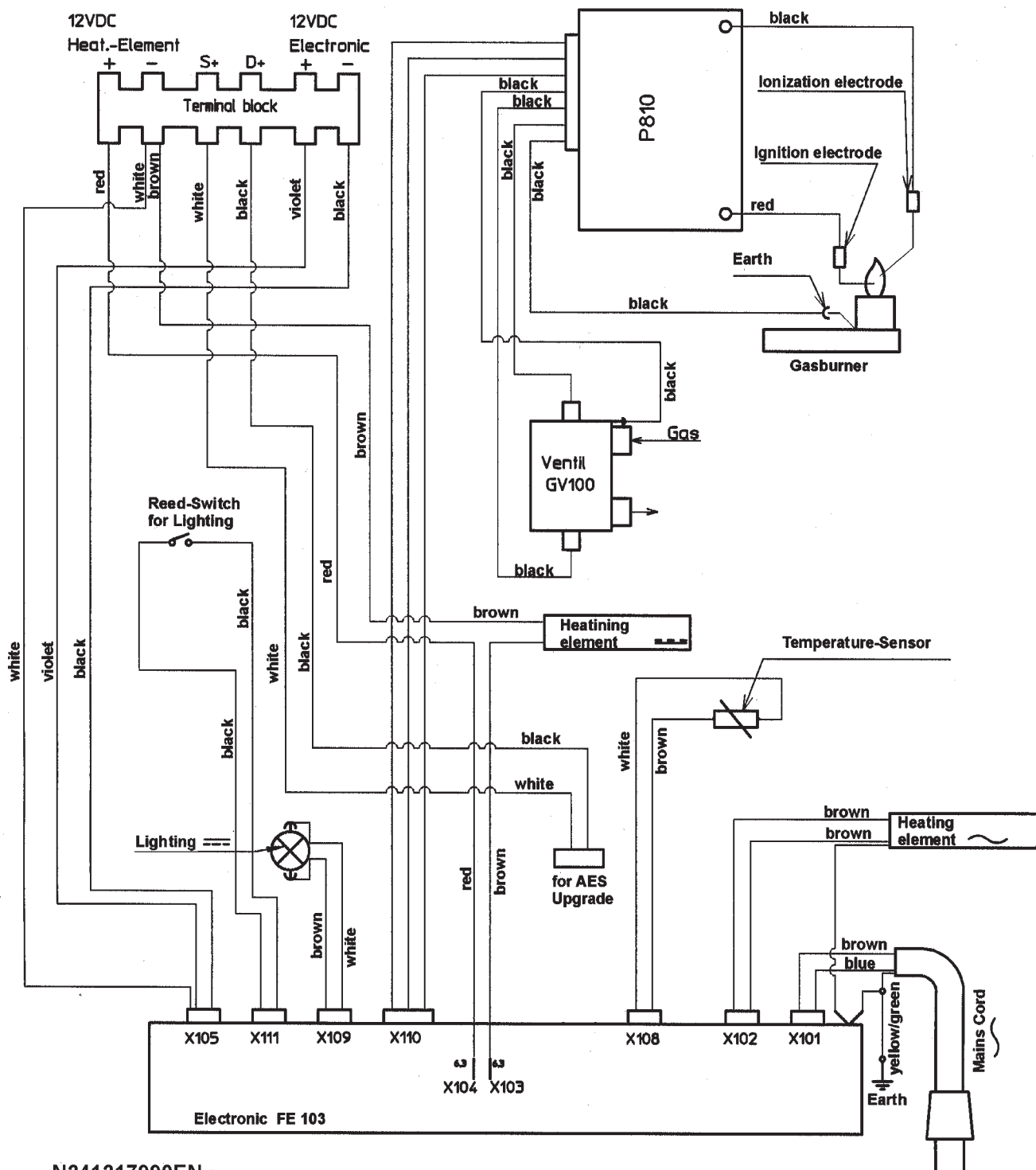
### Index

No.	Part No.	A	B	C	D	E	Description
101	2952986046	A	B	C	D	E	Cooling Unit Complete
102	2926212206	A	B	C	D	E	Flue Baffle
103	2924082304	A	B	C	D	E	Cover, Boiler
104	2926680113	A	B	C	D	E	Insulation, Boiler
105	2924979004	A	B	C	D	E	Cap, Lower boiler
107	2926019304	A	B	C	D	E	Cup Drip
108	2412802809	A	B	C	D	E	Burner, L/Jet
110	2922033069	A	B	C	D	E	Jet, KZ 43
114	2412559607	A	B	C	D	E	Kit, Cover, Gas burner
114C	2925057107	A	B	C	D	E	Bracket, Cover
117	2952444301	A	B	C	D	E	T-Piece
125	2952435408	A	B	C	D	E	Screw, M4x6
126	2926559036	A	B	C	D	E	Washer, Lock
327	2106626001	A	B	C	D	E	Nut, Plate

Only Those Parts Identified With An Index Number Are Available For Service Replacement.

# WIRING DIAGRAM

RM7401L



N241217990EN