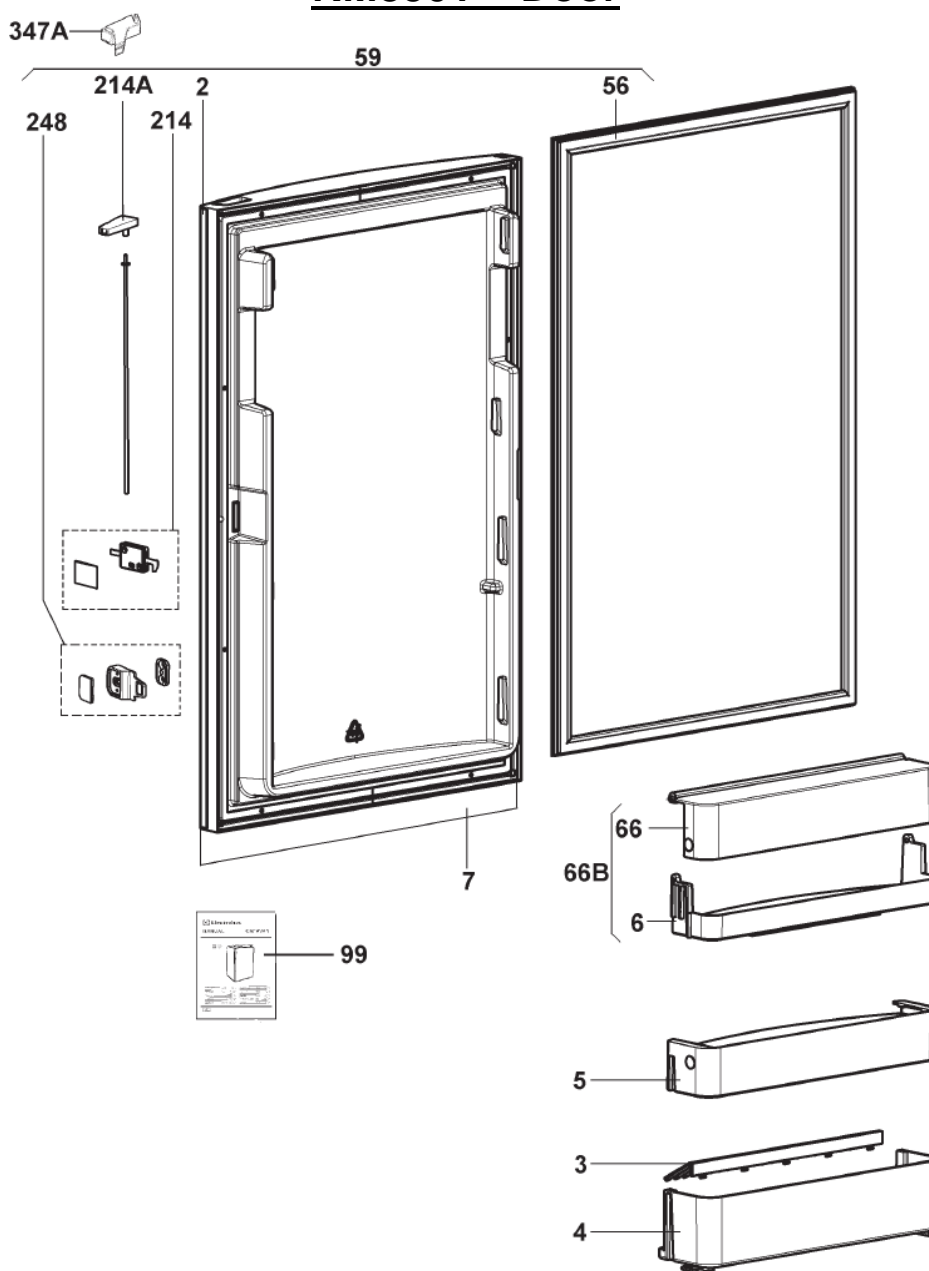


RM8501 – Door

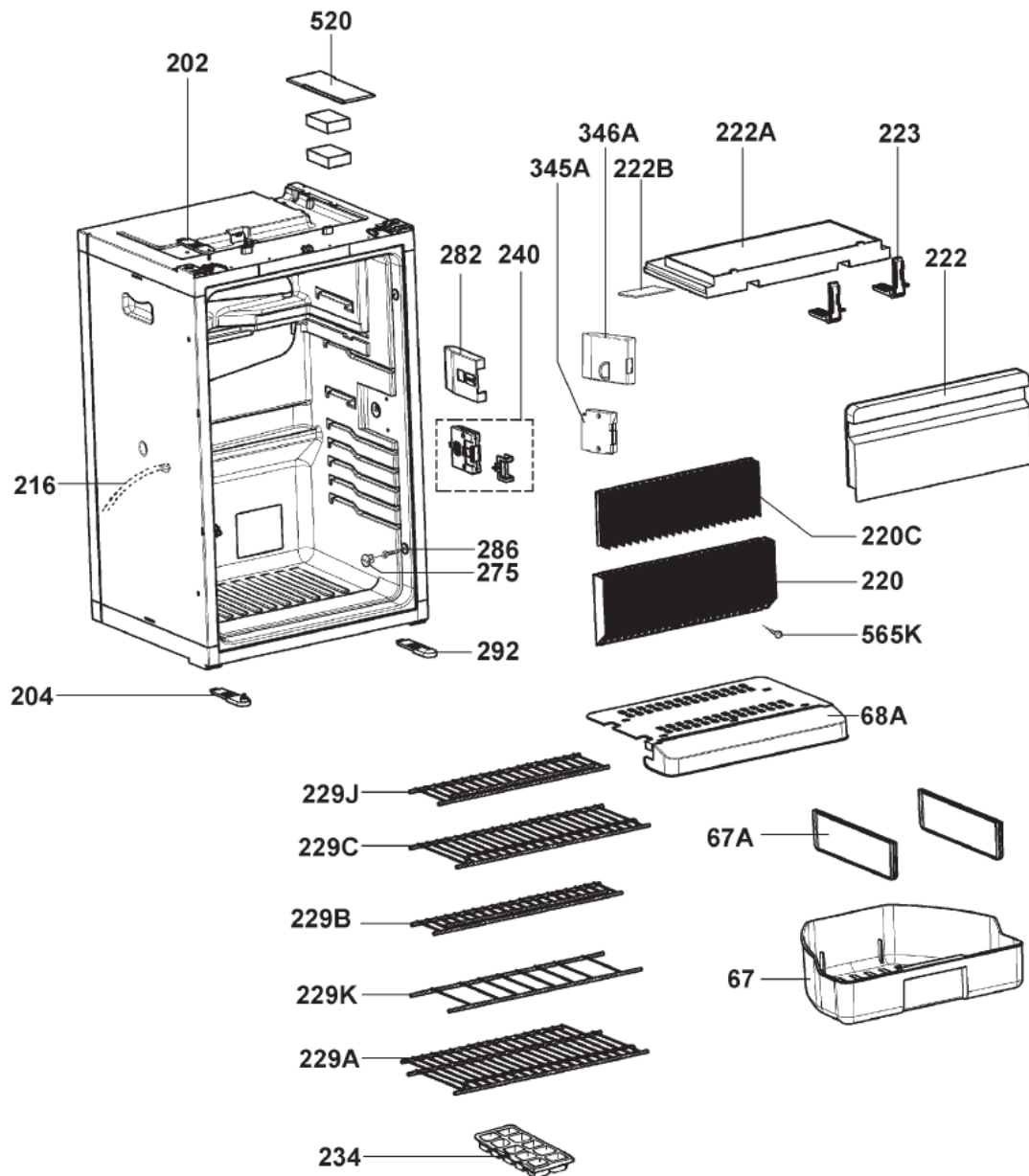


Nur die im Text aufgeführten Ersatzteile sind tatsächlich im Produkt.
 Only the spare parts which are listed are really in the product.
 Endast reservdelar i listan finns i produkten.

(NRM8400T1)

INDENT	DESCRIPTION	LS PART NUMBER
002	COVER LEDGE	2413338001
003	BOTTLE RETAINER	2951237029
004	BOTTLE SHELF	2413341005
005	MIDDLE SHELF	2413342003
006	UPPER SHELF	2413343001
007	DECORATION PLATE	2413421005
056	DOOR GASKET, MAGNETIC SEAL	2413278033
059	COMPLETE DOOR	2413458106
066	SHELF COVER	2413344009
214	DOOR LOCK	2413262813
214A	BUTTON, DOOR LOCK	2413260205

RM8501 – Housing



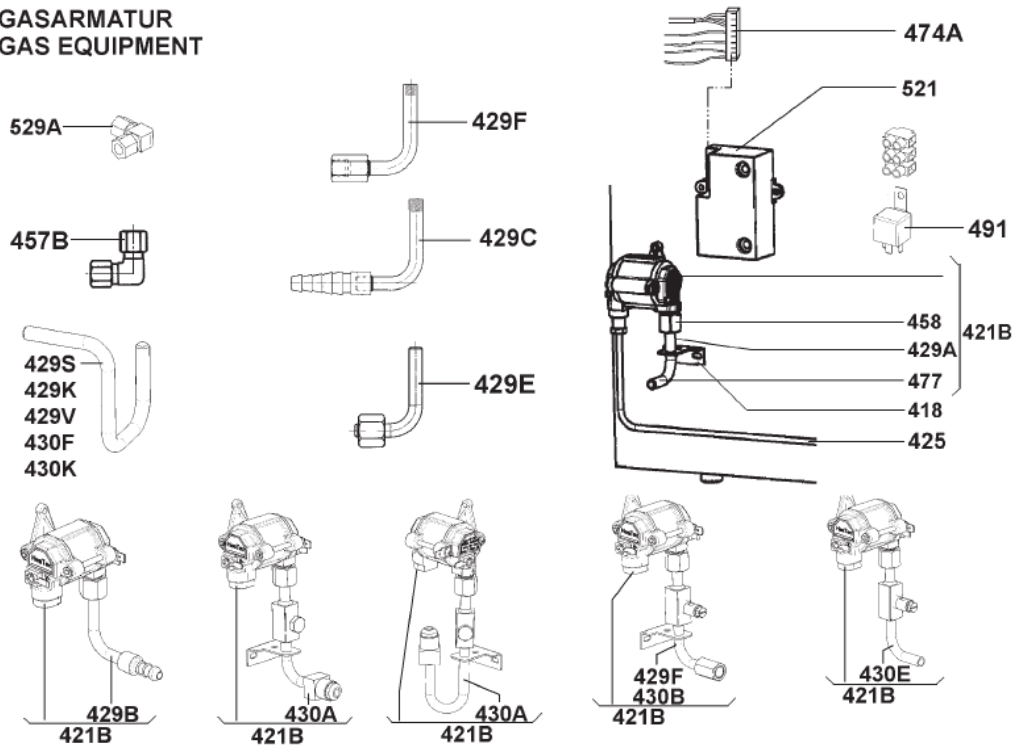
Nur die im Text aufgeführten Ersatzteile sind tatsächlich im Produkt.
 Only the spare parts which are listed are really in the product.
 Endast reservdelar i listan finns i produkten.

(NRM8400G1)

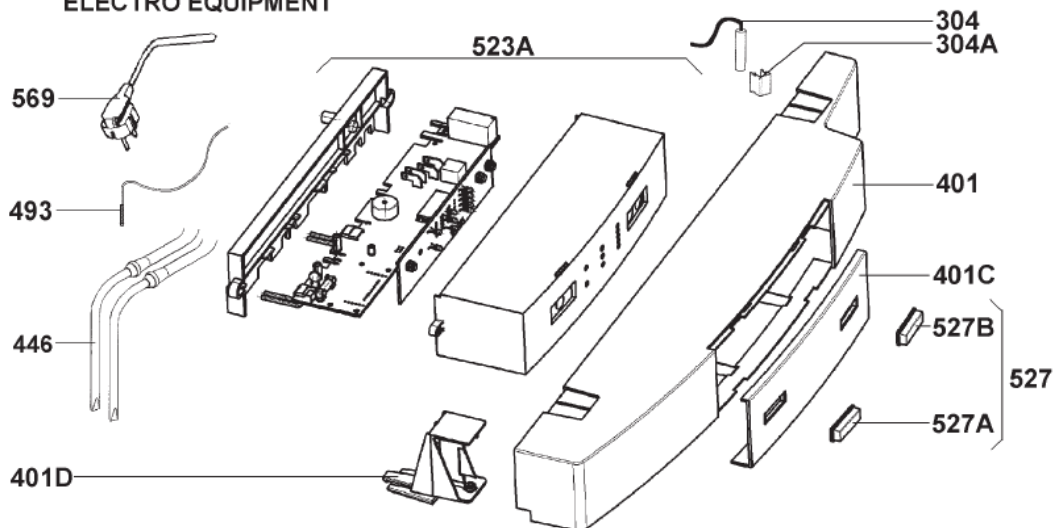
INDENT	DESCRIPTION	LS PART NUMBER
067	SALAD BOX	2413369006
067A	DIVIDER, SALAD BOX	2413377108
202	HINGE	2413321916
204	BOTTOM HINGE	2413322518
216	HOSE, 8MM	2923346056
220	REAR EVAPORATOR, COMPLETE	2412606416
220C	REAR EVAPORATOR, FREEZER COMPARTMENT	2413328002
222	FREEZER DOOR FLAP	2412195311
222A	BOTTOM, FREEZER COMPARTMENT	2413339009
222B	SLIDER, FOR FREEZER COMPARTMENT	2413327004
223	HINGE, COMPLETE FREEZER	2412125011
229A	BOTTOM SHELF	2413379302
229C	UPPER SHELF	2413375508
234	ICE TRAY	IC10305
240	DOOR LOCK, LIGHTING CABINET	2413267010
275	COVER CAP	2951221056
282	COVER DOOR LOCK	2413268018
286	SCREW	2926544004
292	RETAINER, DOOR BOTTOM	2413322211
520	COVER, HARNESS GUIDE	2413320017
565K	BOLT, TORX B4, 8x19	2951230008

RM8501 – Armature / Fitting

GASARMATUR GAS EQUIPMENT



ELEKTROARMATUR ELECTRO EQUIPMENT

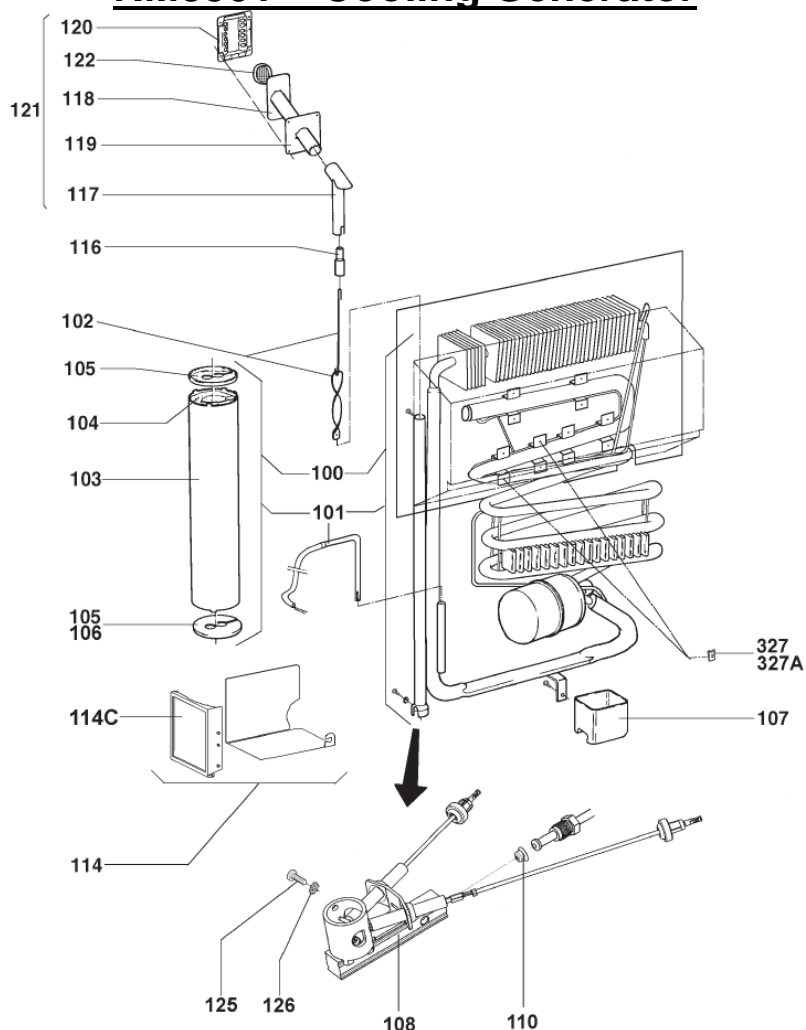


Nur die im Text aufgeführten Ersatzteile sind tatsächlich im Produkt.
 Only the spare parts which are listed are really in the product.
 Endast reservdelar i listan finns i produkten.

(NRM8401A1)

INDENT	DESCRIPTION	LS PART NUMBER
304	SENSOR, COMPLETE LIGHTING	2951380514
304A	RETAINER, SENSOR LIGHTING	2413929007
401	CONTROL PANEL	921??? Prod no rqd
401C	OPERATING PANEL	921??? Prod no rqd
401D	RETAINER, CONTROL PANEL	2413193612
418	SPARES	2926202009
421B	GAS VALVE, WITH GAS CONNECTION	2412798312
425	GAS INLET PIPE, COMPELTE	2412593572
429A	GAS CONNECTION	2412423606
446	HEATER 235V / 135W	2413229416
446	HEATER SERVICE, 12V / 130W	EL10295A
458	M14x1,5	2927903100
474A	CONNECTION WIRING, BURNER CONTROL	2412796308
477	FILTER	GR10020
493	TEMPERATURE PROBE	2952248504
521	BURNER CONTROL DEVICE	2412789303
523A	PCB	2413490000
527A	PUSH BUTTON KIT	2413933918
527B	PUCH BUTTON KIT	2413933918
569	CONNECTION WIRING	2413914017

RM8501 – Cooling Generator



Nur die im Text aufgeführten Ersatzteile sind tatsächlich im Produkt!
Only the spare parts which are listed, are really in the product!

(N7401AG03)

INDENT	DESCRIPTION	LS PART NUMBER
100	COOLING GENERATOR	2413443108
102	BAFFLE	2926212206
103	COAT	2924082304
104	INSULATION	2926680113
105	LID	GB10693
107	EVAPORATION TRAY	2926019304
108	BURNER, WITHOUT NOZZLE	2412802817
110	JET NR 42	JB10070
114	SPARES	2412559607
114C	FIXING, COVER GAS BURNER	2925057206
116	CONNECTING PIECE	FC10116
117	T-PIECE, COMPLETE	2952444400
118	EXHAUST PIPE	FC10119
121	EXHAUST PIPE, ASSY	2935872206
122	LID	FC10123
126	WASHER	2926559036
327	FASTENER HINGE	2106626001