

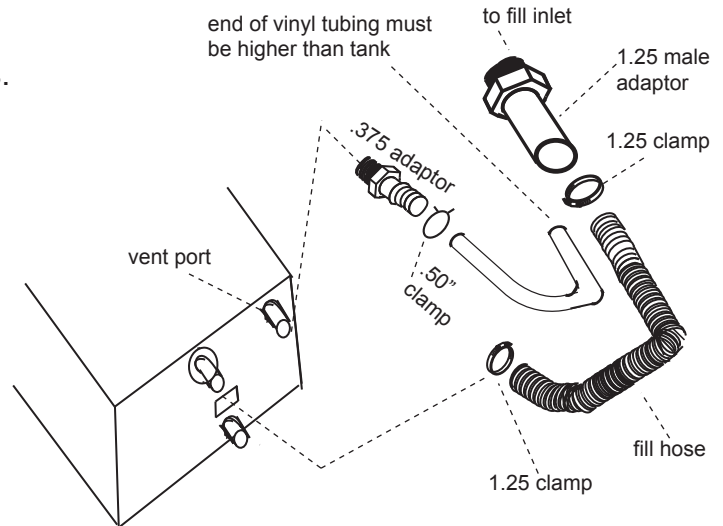
WATER TANK KIT

P/N's 11914, 11915, 11916, 11917

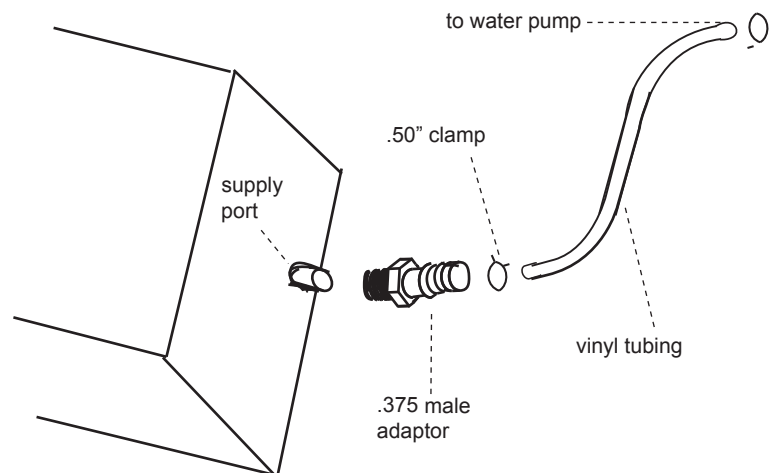
TOOLS REQUIRED: Slotted screwdriver, crescent wrench and pliers.

ASSEMBLY INSTRUCTIONS:

1. Mount tank securely to vehicle to prevent loosening and/or damage to tubing and clamps.
2. Push fill hose over inlet until it is snug against tank. Secure with 1.25" clamp.
3. Screw adapter into fill inlet. Push fill hose over adapter and secure with 1.25" clamp.
4. Cut off .50" of tubing for vent line. Screw adapter into tank (vent port). Secure tubing to adapter with .50" hose clamp.
5. For proper venting, position end of tube higher than tank.

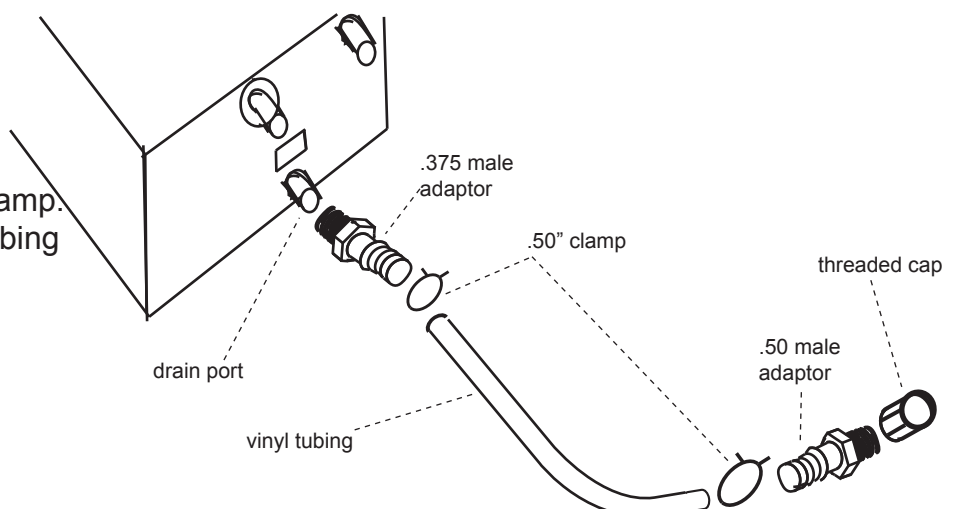


1. Screw adapter into tank (supply port).
2. Secure tubing to adapter with .50" hose clamp.
3. Route tube to vehicle water pump.
4. Cut off excess tubing (excess will be used for drain line).
5. Secure tube to water pump with .50" hose clamp.



1. Screw adapter into tank (drain port).
2. Secure excess tubing to .375" male adapter with .50" hose clamp.
3. Secure .50" male adapter to tubing with .50" hose clamp.
4. Put threaded cap on.

(To drain, remove threaded cap.)



barker

1125 Watkins Road / PO Box 460
Battle Creek, MI 49016
Phone: 269-965-2371 Fax: 269-965-2389
www.barkermfg.com E-Mail: service@barkermfg.com

© Copyright H&H Engineering 1991

PAGE: 1 of 2	DATE: 26 MAR 12	FORM #: 10010
REVISION LETTER: A	ECN#: 14520	APPROVED:

