



**When ordering parts, always state:**  
 MODEL NO. - PRODUCT NO. - QUANTITY -  
 PART NUMBER - DESCRIPTION

**For Electric Details also state:**  
 VOLTAGE - WATTAGE

**USA**  
 SERVICE OFFICE  
 Dometic Corporation  
 509 South Poplar Street  
 Lagrange, IN 46761  
 260-463-4858

**CANADA**  
 Dometic Dist.  
 866 Langs Dr.  
 Cambridge, Ontario  
 CANADA N3H 2N7  
 519-653-4390

**For Service Center  
 Assistance Call:**  
 800-544-4881

PRODUCT NUMBER	MODEL	MARKET	VOLTAGE	BRAND
921142109	RM2551	USA/Canada	120 V	Dometic
921142110	RM2551	USA/Canada	120 V	Dometic

# PARTS LIST

**MODEL  
 RM2551  
 Series**





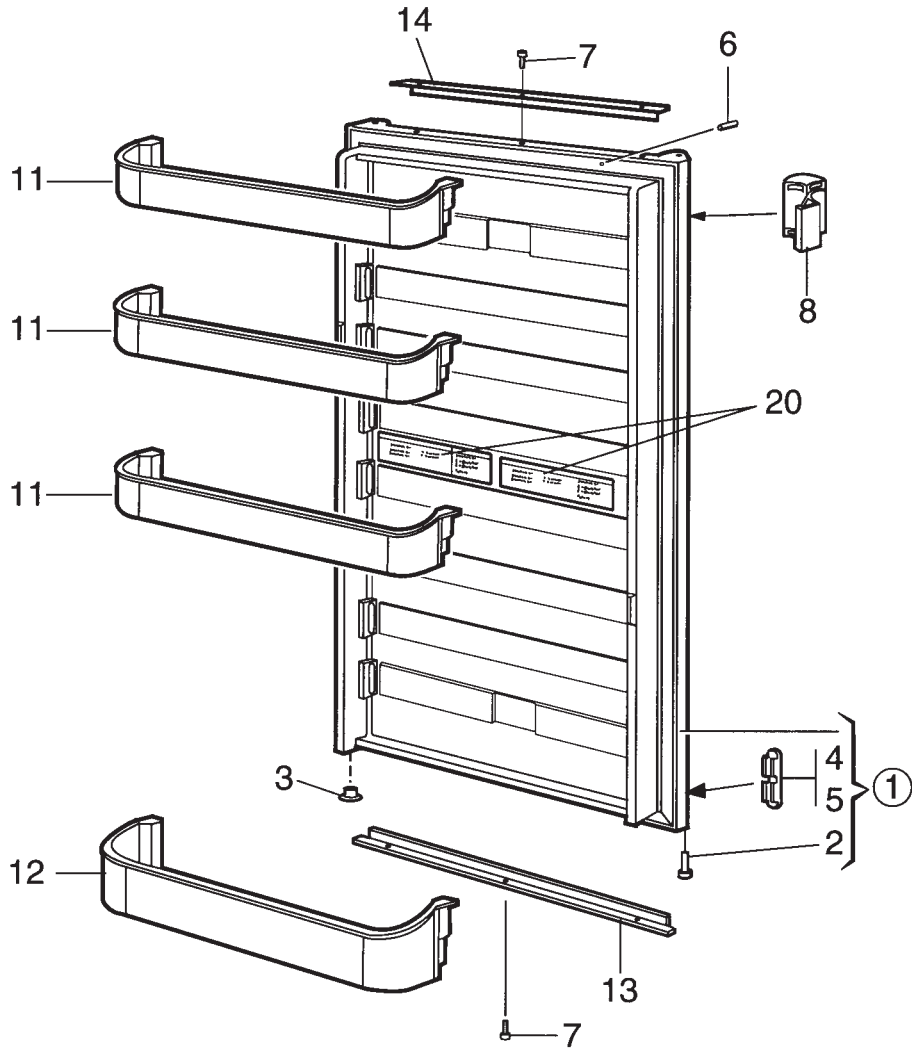
### ALPHABETICAL INDEX

	Page#	Index#
Cabinet, exterior components .....	8-9	1-999
Cabinet, interior components .....	10-11	3-27
Cabinet, rear view .....	12-13	100-145
Control & Burner Components .....	6-7	1-151
Door Assm. ....	4-5	1-20
Wiring Diagram .....	14	—

### SPECIFICATIONS

Model	RM2551
Product Number*	921142109 921142110
Energy Source**	120 VAC, Gas
AC Heating Element	
Amperage	1.5
Ohm Resis. +/- 10%	80
Wattage	175W
BTU's Gas Burner	1080
Jet Size	#43
Flue Baffle	
Size	3-15/16" x 25/32"
Position Above Burner	1-15/32"
Ice Trays	0
Crispers	1
Bottle Holders	0
<p>* Product number located on refrigerator data plate.</p> <p>** 12 volt DC power is required to operate the refrigerator controls on all models.</p>	

**DOOR ASSEMBLY**



NCMOA2060412

## DOOR ASSEMBLY

**A=921142109-RM2551**

**B=921142110-RM2551**

<b>Index No.</b>	<b>Part No.</b>			<b>Description</b>
1	2932562149	A	B	Door, silver, complete
2	2931171082	A	B	Hinge bushing, gray
3	2932740018	A	B	Covering washer
4	2932682079	A	B	Plug, upper right, lower left
5	2932682087	A	B	Plug, upper left, lower right
6	2932588011	A	B	Stopper
7	3858002102	A	B	Screw, RXS B4 x 9.5 zinc
8	2932670025	A	B	Handle, black
11	2932576016	A	B	Door shelf
12	2932575018	A	B	Bottle shelf
13	3850381298	A	B	Decoration, silver
14	3850381306	A	B	Decoration, silver
20	2932722008	A	B	Label
	3850581004	A	B	Label, French



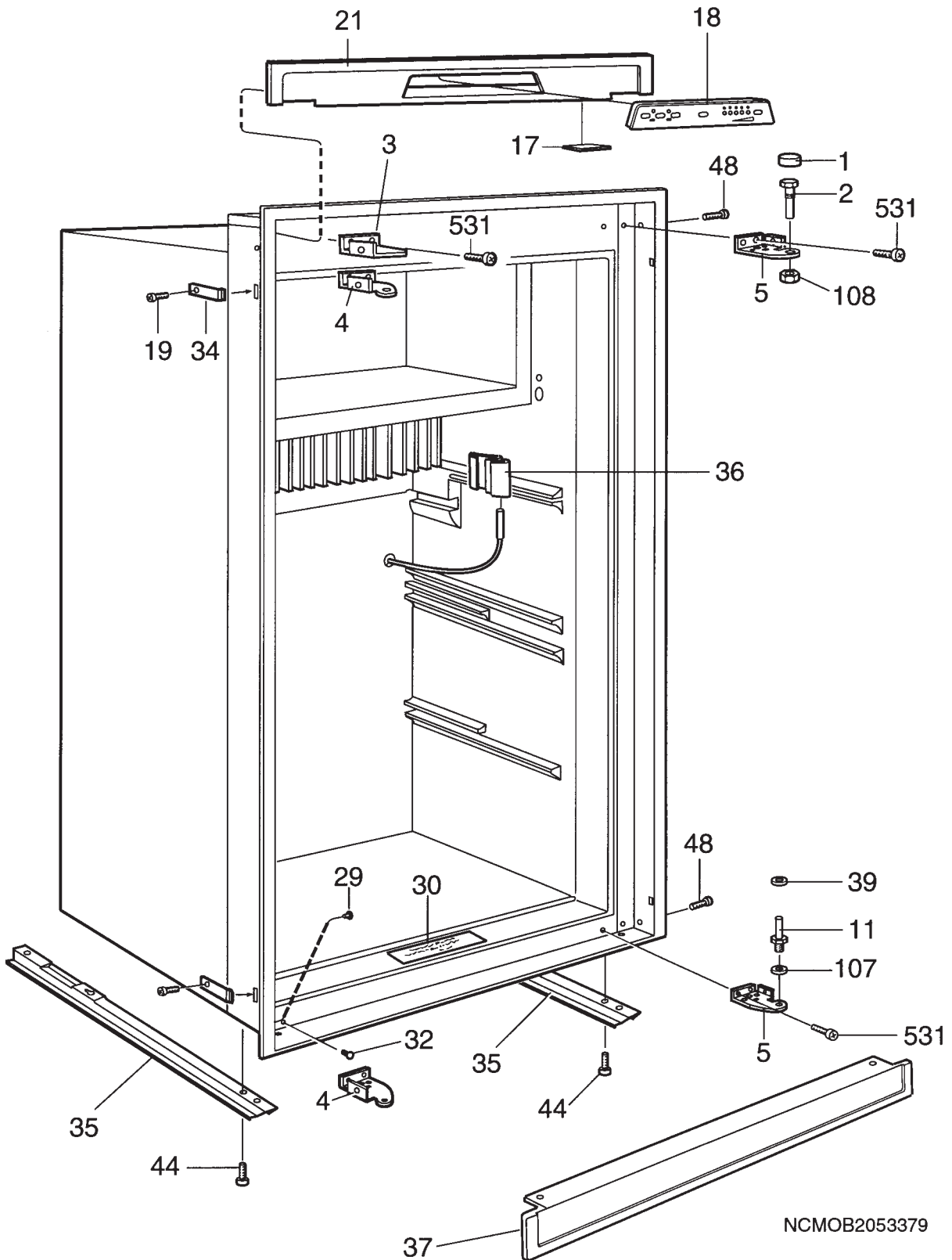
## CONTROL & BURNER

**A=921142109-RM2551**

**B=921142110-RM2551**

Index No.	Part No.		Description
1	0140207044	A B	Nut
10	2932603018	A B	Burner housing
17	3858039039	A B	Screw, MRX M4 x 8 zinc
18	3858039047	A B	Screw, MRX M4 x 10 zinc
19	3858002144	A B	Screw, RXS B6 x 9.5
20	2932615012	A B	Solenoid valve
21	3858002151	A B	Screw, RXS B6 x 13 zinc
22	3858005014	A B	Screw, RXK B6 x 9.5 zinc
25	3858010071	A B	Washer, 12.5 x 18.5 x 1
32	2930697061	A B	Burner
33	2930379009	A B	Electrode
38	2007419167	A B	Burner jet, #43
43	2932052018	A B	Thermocouple
44	2801043015	A B	Nut
45	3850415013	A B	Electronic PCB, Universal
53	2932661016	A B	Cover, burner housing
54	2930402009	A B	Flue top
55	2932662014	A B	Bracket
57	2931862037	A B	Conductor, PCB
58	2931863035	A B	Conductor, thermistor
59	2954539033	A B	Conductor, solenoid valve
67	0173771023	A B	Heater, 175W, 120V
70	2007457001	A B	Washer, .5mm
84	3858022019	A B	Junction block
85	3858002185	A B	Screw, RXS, B6 x 25, zinc
91	3858002177	A B	Screw, RXS, B6 x 19, zinc
95	2933096014	A B	Spark ignition device
96	2931360073	A B	Ignition cable
113	2932733005	A B	Label
115	2932667021	A B	Baffle
149	3850338017	A B	Bracket, spark ignitor
150	3850337019	A B	Bracket
151	0561014010	A B	Tension relief

**CABINET, FRONT VIEW**



NCMOB2053379



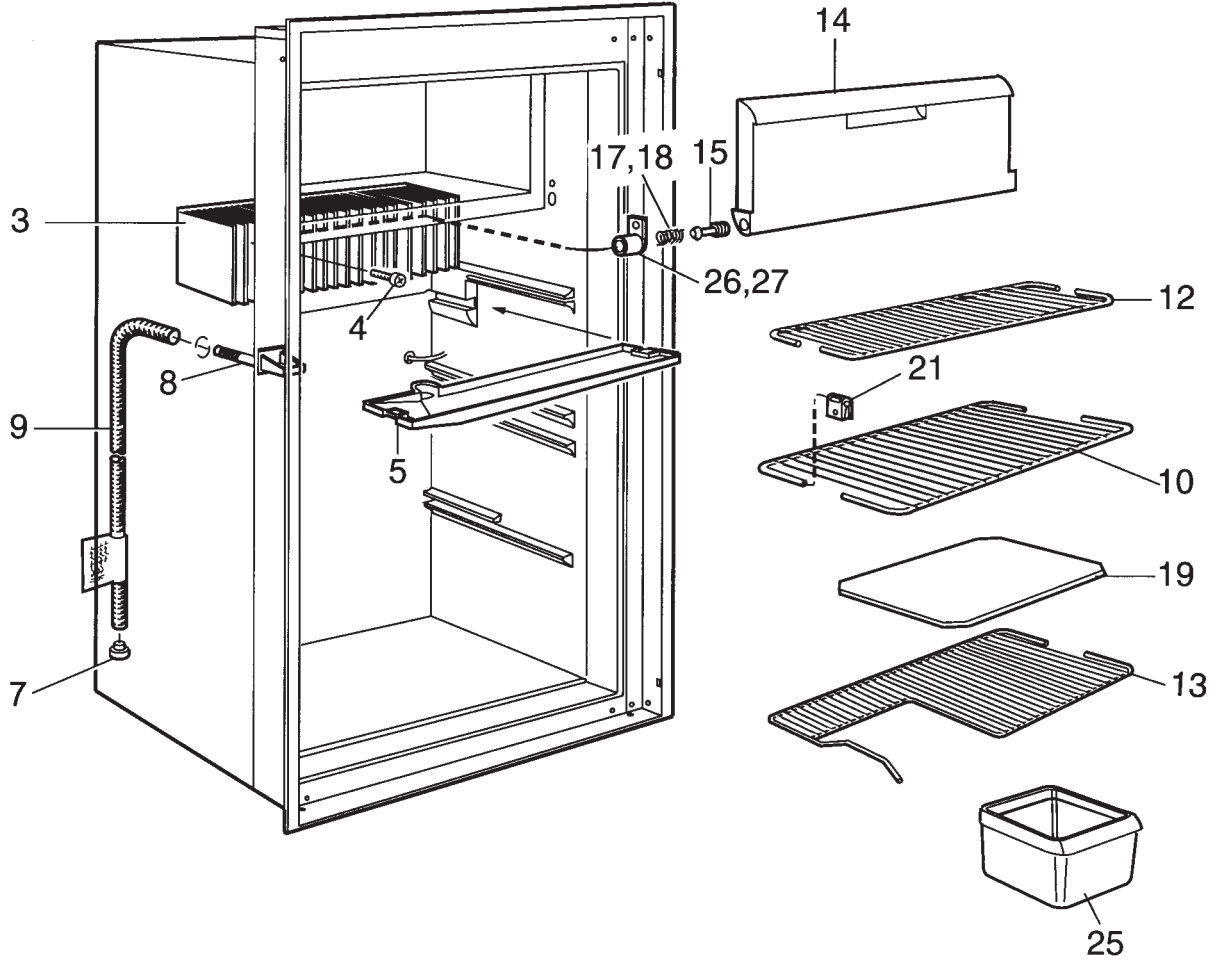
## CABINET, FRONT VIEW

A=921142109-RM2551

B=921142110-RM2551

Index No.	Part No.			Description
1	2932736099	A	B	Cover, gray
2	2932647015	A	B	Hinge pin
3	2932644061	A	–	Bracket, right, silver
	2932644053	–	B	Bracket, left, silver
4	2932643063	A	–	Hinge, silver
5	2932643055	–	B	Hinge, silver
11	2932649011	A	B	Hinge pin, lower
17	2932330018	A	B	Covering washer
18	2932771021	A	B	Panel, display board
19	3858002052	A	B	Screw, RXS B6 x 6.5 zinc
21	2932641067	A	B	Front, silver
29	2930740085	A	B	Cover, silver
30	2932776004	A	B	Instruction plate
32	3850585054	A	B	Plug, gray
34	2932855014	A	B	Fastening bow
35	2932660018	A	B	Rail
36	2932456011	A	B	Bracket, thermistor
37	2932690072	A	B	Base cover, silver
39	3858010089	A	B	Washer, zinc 5.5 x 12 x 1
44	3858039096	A	B	Screw, MRX M5 x 14 zinc
48	3858004058	A	B	Screw, MRX M4 x 4 zinc
107	3858010113	A	B	Washer, BRB 6.4 x 12.5
108	3858009040	A	B	Nut, ML6 M6 zinc
531	3858039047	A	B	Screw, MRX M4 x 10 zinc
999	2932750181	A	–	Door reversing kit, left-right silver
	2932750173	–	B	Door reversing kit, right-left silver

**CABINET, FRONT VIEW**

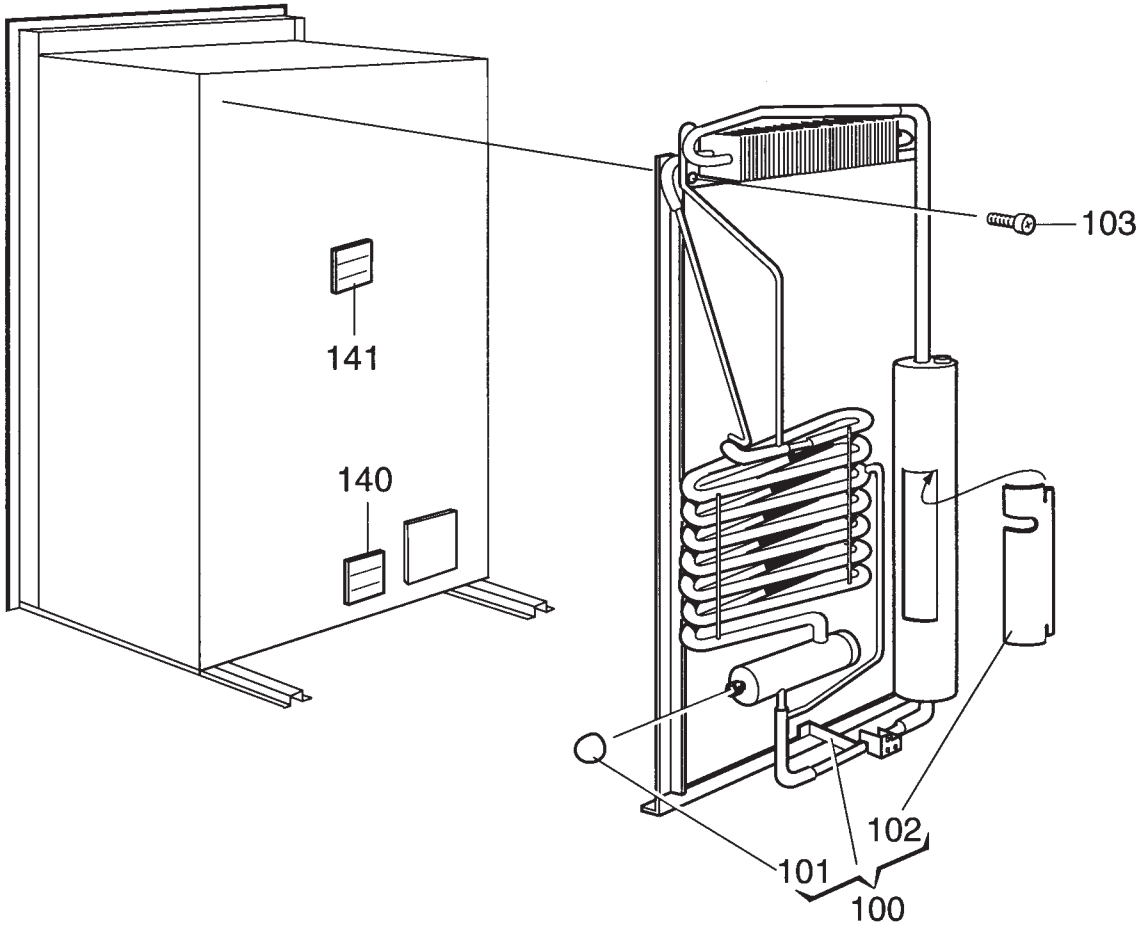


NCMOD2053378

**CABINET, FRONT VIEW****A=921142109-RM2551****B=921142110-RM2551**

<b>Index No.</b>	<b>Part No.</b>			<b>Description</b>
3	2932629013	A	B	Evaporator
4	3858036019	A	B	Screw,KFXS B10 x 38
5	2932623016	A	B	Evaporator tray
7	2932115013	A	B	Discharge pipe, plug
8	2932635010	A	B	Drain
9	2932749019	A	B	Drain hose
10	2932625029	A	B	Shelf
12	2932625060	A	B	Shelf
13	2932626142	A	B	Shelf
14	2932650019	A	B	Freezer door
15	2002238000	A	B	Carrier
17	2932754019	A	B	Spring, left
18	2932754027	A	B	Spring, right
19	2931117093	A	B	Shelf, plastic
21	2932668011	A	B	Shelf lock
25	2932621010	A	B	Crisper
26	2002236004	A	B	Spring casing, left
27	2002236012	A	B	Spring casing, right

**CABINET, REAR VIEW**

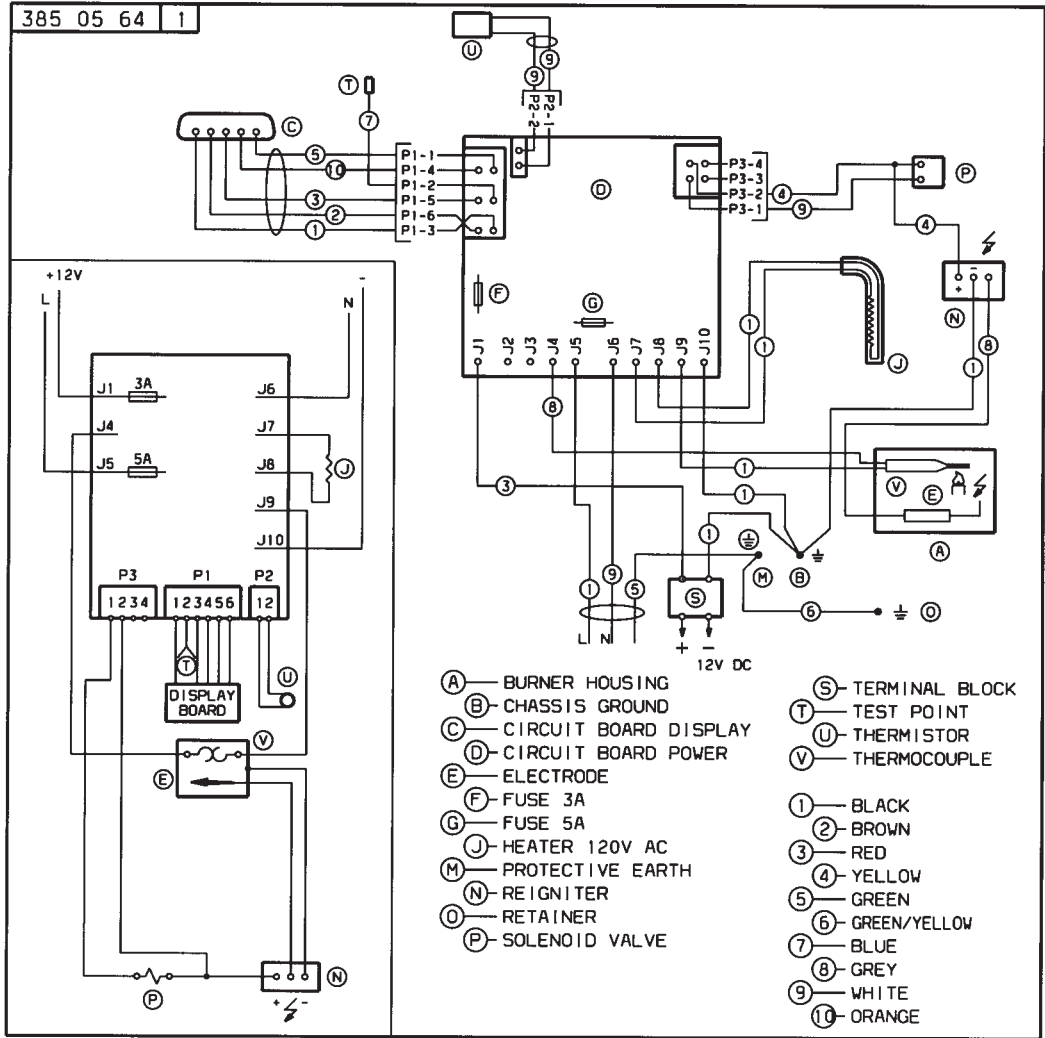


NCMOE2060413

**CABINET, REAR VIEW****A=921142109-RM2551****B=921142110-RM2551**

<b>Index No.</b>	<b>Part No.</b>			<b>Description</b>
100	2934509098	A	B	Cooling unit, 509
101	0173228008	A	B	Stopper
102	2933557007	A	B	Cover
103	3858020013	A	B	Screw, DK4.8 x 16P zinc
140	3850582002	A	B	Label
141	3850583000	A	B	Label
145	2002699037	A	B	Power cord (not shown)

**WIRING DIAGRAM**



N38505641