



When ordering parts, always state:  
 MODEL NO. - PRODUCT NO. - QUANTITY -  
 PART NUMBER - DESCRIPTION  
 For Electric Details also state:  
 VOLTAGE - WATTAGE

# AMERICANA

## REFRIGERATOR

### RM2652

**USA**  
 SERVICE OFFICE  
 Dometic Corporation  
 2320 Industrial Parkway  
 Elkhart, IN 46516  
 574-294-2511

**CANADA**  
 Dometic Distribution  
 866 Langs Drive  
 Cambridge, Ontario  
 CANADA N3H 2N7  
 519-653-4390

**For Service Center Assistance Call:**  
 800-544-4881

Product Number	Model Number	Voltage	Refrigerator Frame Color	Door Style	Door/Door Trim Color	Market	Brand Color
921144139	RM2652	120 VAC	Black	Standard	Black	USA, Canada	Dometic
921144140	RM2652	120 VAC	Black	Standard	Black	USA, Canada	Dometic

# PARTS LIST

**MODEL  
 RM2652  
 Series**

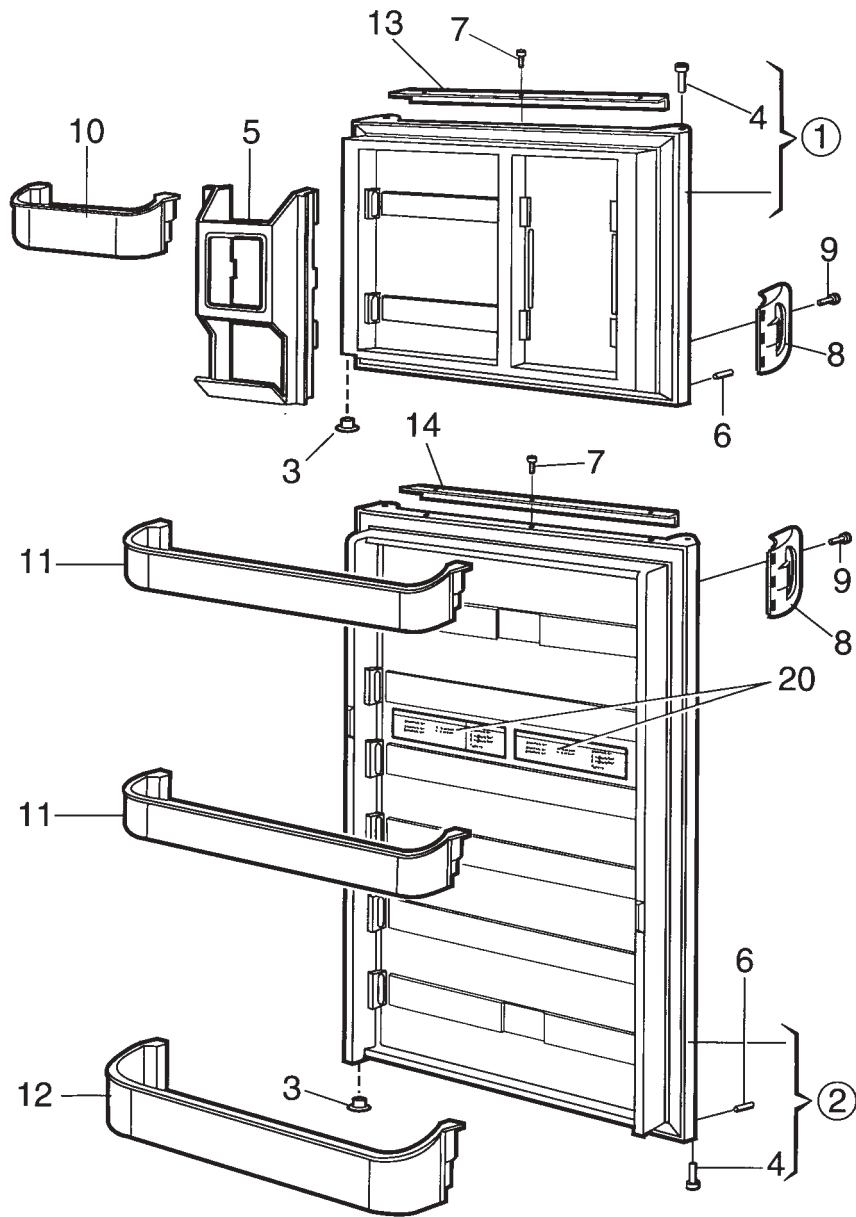
## ALPHABETICAL INDEX

	Page#	Index#
Cabinet, exterior components .....	5-6	1-999
Cabinet, interior components .....	7-8	1-43
Cabinet, rear view .....	11-12	100-145
Control & Burner Components .....	9-10	1-253
Door Assm. ....	3-4	1-20
Wiring Diagram .....	13	—

## SPECIFICATIONS

<b>Model</b>	
Product Number*	921144139 921144140
Energy Source**	120 VAC, Gas
AC Heating Element	
Amperage	2.7
Ohm Resis. +/- 10%	44
Wattage	325
BTU's Gas Burner	1500
Jet Size	#58
Flue Baffle	
Size	5-1/8" x 13/16"
Position Above Burner	1-7/8"
Ice Trays	0
Crispers	2
Bottle Holders	0
Climate Control Heater	
Amperage	.5
Ohm Resis. +/- 10%	24
Wattage	6
* Product number located on refrigerator data plate.	
** 12 volt DC power is required to operate the refrigerator controls on all models.	

### Door Assembly



NCMOA2060736

## Door Assembly

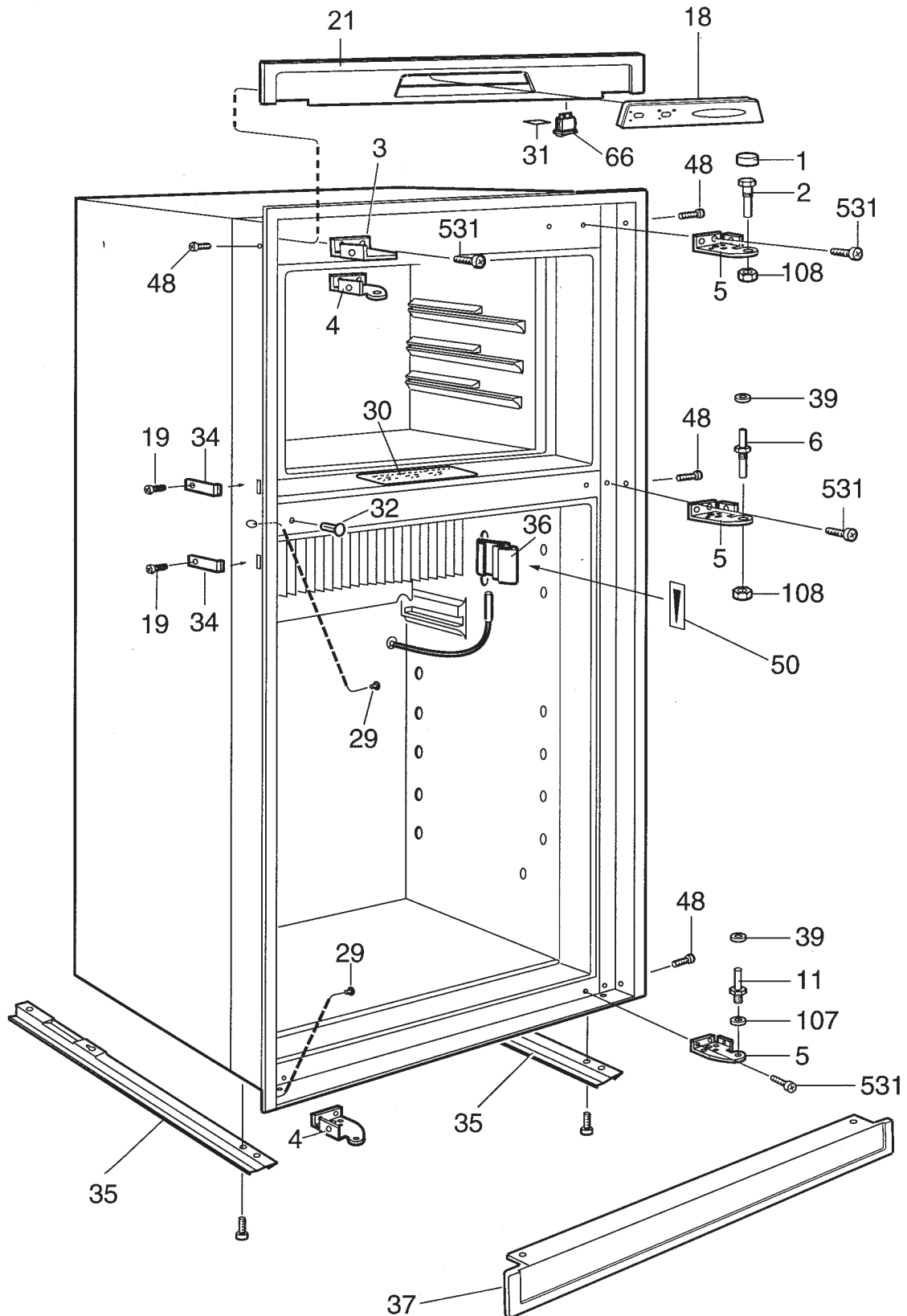
**A=921144139**

**B=921144140**

### Index

No.	Part No.	A	B	Description
1	2932561208	A	–	Freezer door, left, black
	2932561190	–	B	Freezer door, right, black
2	2932563063	A	–	Refrigerator door, left, black
	2932563055	–	B	Refrigerator door, right, black
3	2932740018	A	B	Covering washer
4	2931171066	A	B	Hinge bushing, black
5	2932578020	A	B	Holder
6	2932588011	A	B	Stopper
7	3858002102	A	B	Screw, zinc, RXS B4 x 9.5
8	2932093038	A	B	Handle, black
9	3858000049	A	B	Screw, PT 50 x 26, black
10	2932577014	A	B	Door shelf
11	2932576016	A	B	Door shelf
12	2932575018	A	B	Bottle shelf
13	3850381165	A	B	Decoration, black
14	3850381322	A	B	Decoration, black
20	2932722008	A	B	Label
	3850581004	A	B	Label, French

### Cabinet, Exterior Components



NCMOB2070136

## Cabinet, Exterior Components

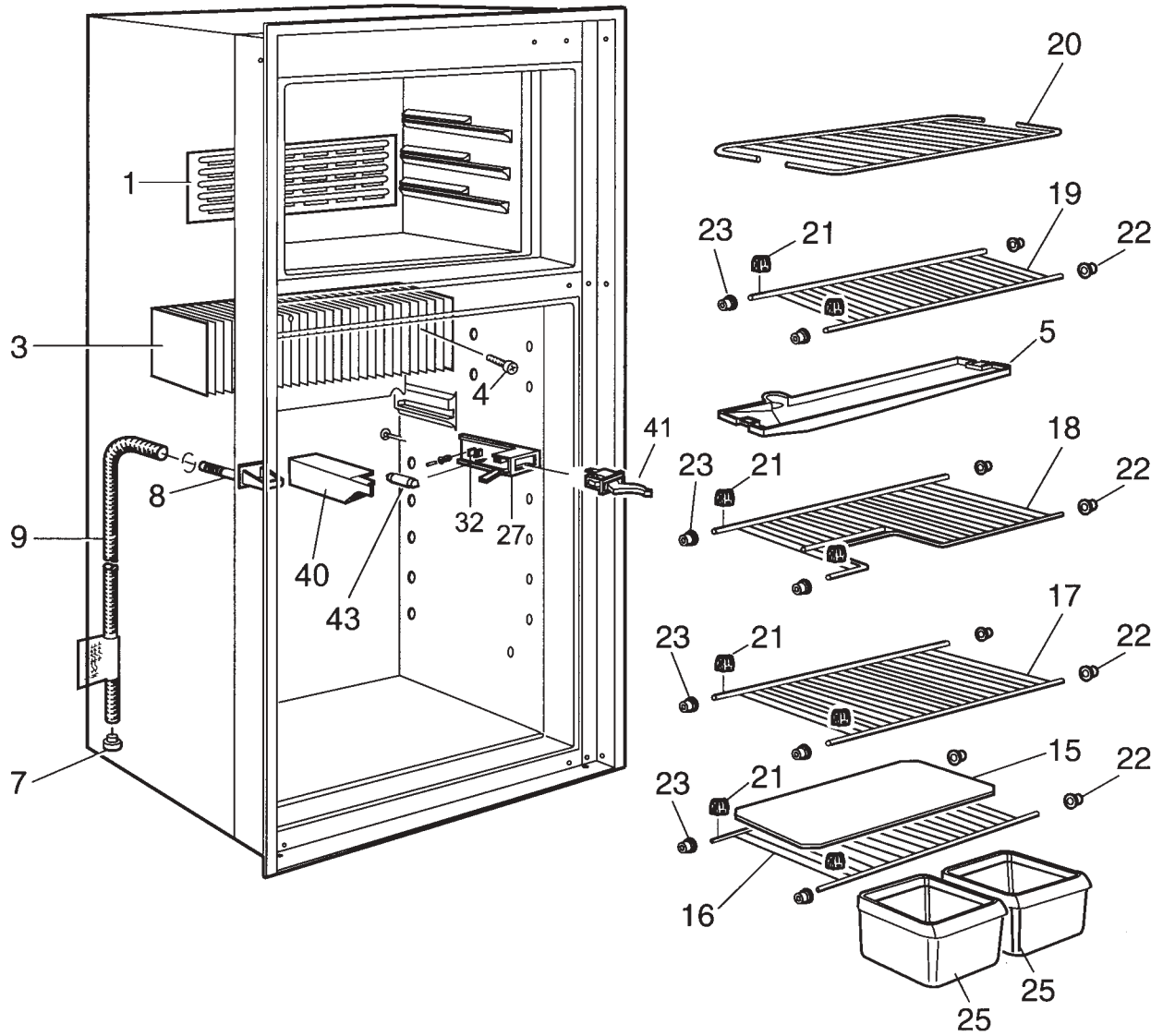
A=921144139

B=921144140

## Index

Index No.	Part No.	A	B	Description
1	2932736081	A	B	Cover, black
2	2932647015	A	B	Pin for hinge
3	2932644046	A	-	Bracket, right, black
	2932644038	-	B	Bracket, left, black
4	2932643048	A	-	Hinge, black
5	2932643030	A	B	Hinge, black
6	2932648021	A	B	Hinge pin, black
11	2932649011	A	B	Pin for hinge, lower
18	2932771021	A	B	Panel , display board, black
19	3858002052	A	B	Screw, zinc, RXS B6 x 6.5
21	2932641034	A	B	Front, black
29	2930740077	A	B	Cover, black
30	2932776004	A	B	Sign plate
31	2932779008	A	B	Label
32	3850585039	A	B	Plug, black
34	2932855014	A	B	Fastening bow
35	2932660018	A	B	Rail
36	2932456029	A	B	Bracket, thermistor
37	2932690049	A	B	Base cover, black
39	3858010022	A	B	Washer, zinc, 5.5 x 12 x 1, black
48	3858004058	A	B	Screw, zinc MRX M4 x 4
50	3850774013	A	B	Label
66	2932680024	A	B	Switch
107	3858010113	A	B	Washer, zinc, BRB 6.4 x 12.5
108	3858009057	A	B	Nut, zinc, ML6 M6, black
531	3858039047	A	B	Screw, zinc, MRX M4 x 10
999	293275012	A	-	Door reversing kit, left-right, black
	293275011	-	B	Door reversing kit, right-left, black

### Cabinet, Interior Components



NCMOD2047504

## Cabinet, Interior Components

**A=921144139**

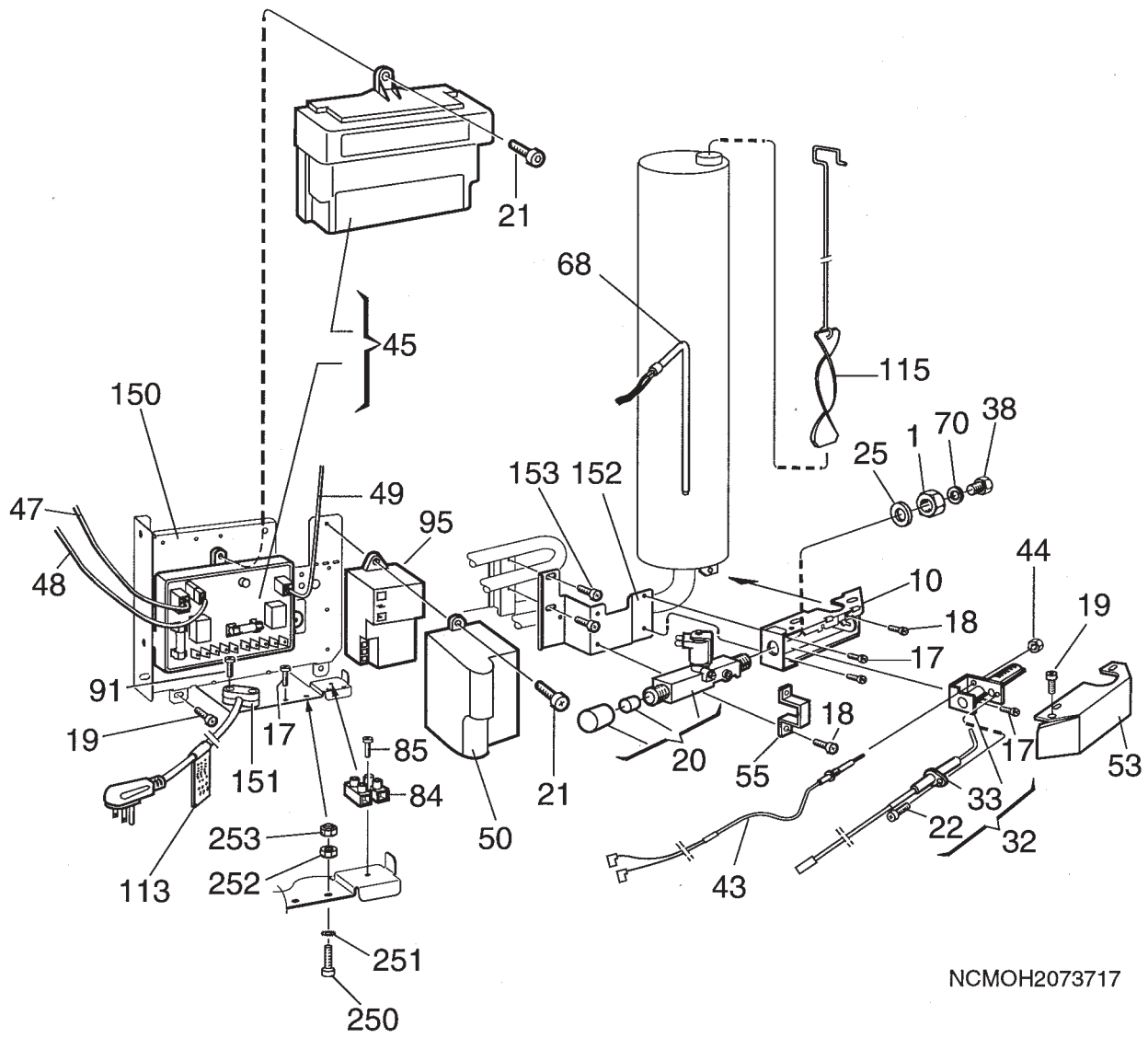
**B=921144140**

### Index

<b>No.</b>	<b>Part No.</b>	<b>A</b>	<b>B</b>	<b>Description</b>
1	2932728013	A	B	Cover plate
3	2932630011	A	B	Cooling flange
4	3858036019	A	B	Screw, zinc, KFXS B10 x 38
5	2932624014	A	B	Evaporation tray
7	2932115013	A	B	Discharge pipe, plug
8	2932635010	A	B	Drain
9	2932749019	A	B	Drain hose
15	2931117176	A	B	Shelf, plastic
16	3850324025	A	B	Shelf
17	3850324017	A	B	Shelf
18	3850325014	A	B	Shelf
19	3850324033	A	B	Shelf
20	2932627025	A	B	Shelf
21	2932102011	A	B	Shelf support
22	2932101013	A	B	Plug
23	2932103019	A	B	Plug
25	2932621010	A	B	Crisper
27	2932523018	A	B	Lamp holder
32	2932108018	A	B	Contact pin
40	2932106012	A	B	Lamp cover
41	2932665017	A	B	Switch
43	2007290006	A	B	Lamp, 12V, 10W



### Control & Burner Components



NCMOH2073717

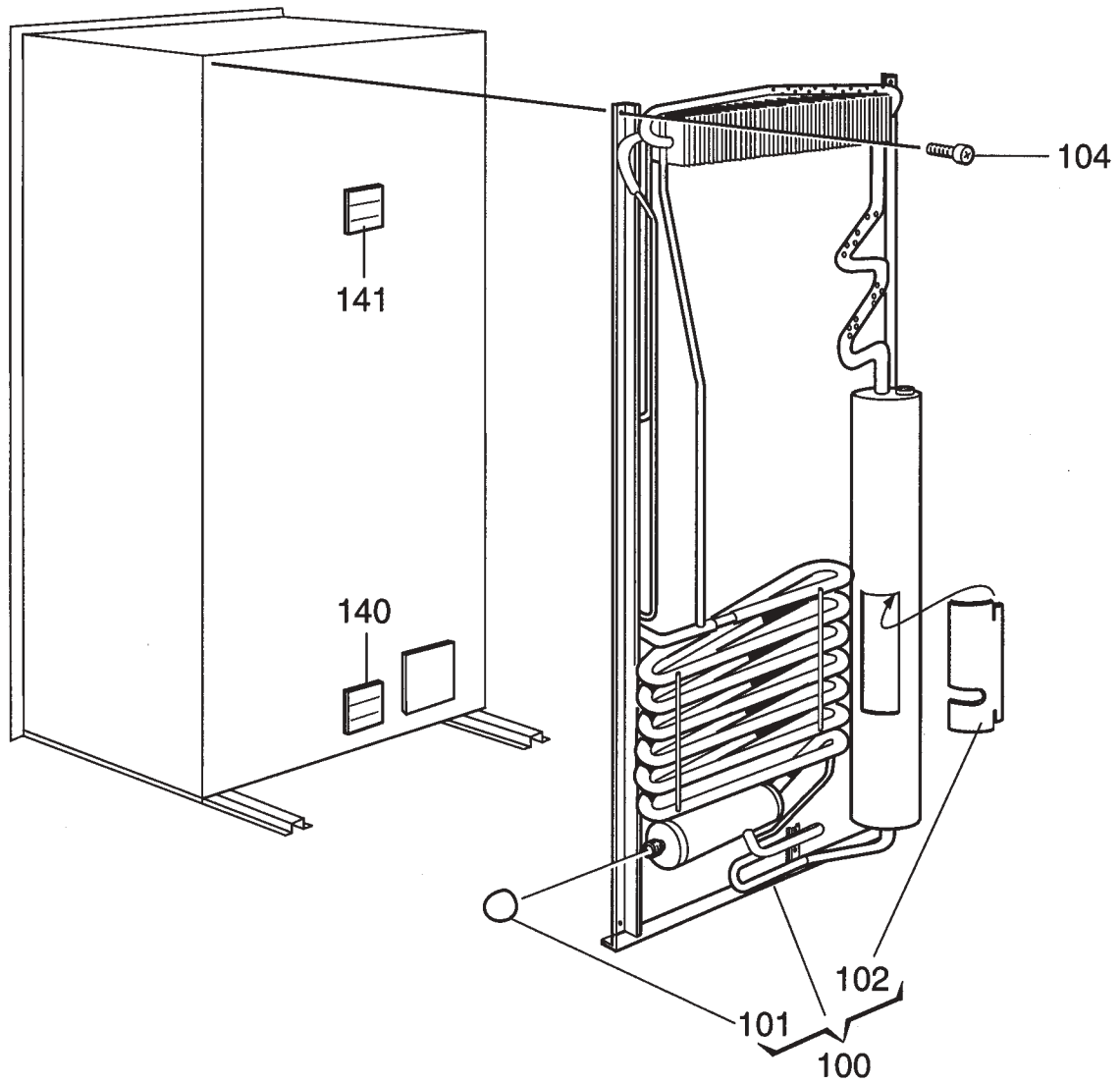
## Control &amp; Burner Components

A=921144139

B=921144140

Index					
No.	Part No.	A	B	Description	
1	0140207044	A	B	Nut	
10	2932603018	A	B	Burner housing	
17	3858039039	A	B	Screw, zinc, MRX M4 x 8	
18	3858039047	A	B	Screw, zinc, MRX M4 x 10	
19	3858002144	A	B	Screw, zinc, RXS B6 x 9.5	
20	2932615012	A	B	Solenoid valve	
21	3858002151	A	B	Screw, zinc, RXS B6 x 13	
22	3858005014	A	B	Screw, zinc, RXK B6 x 9.5	
25	3858010071	A	B	Washer, 12.5 x 18.5 x 1	
32	2930697079	A	B	Burner w/conductor	
33	2932781012	A	B	Electrode w/conductor	
38	2007419217	A	B	Jet, #58	
43	2932052018	A	B	Thermocouple	
44	2801043015	A	B	Nut	
45	3850415013	A	B	Power module, universal	
47	2954542037	A	B	Conductor, PCB	
48	2931863035	A	B	Conductor, thermistor	
49	2954539017	A	B	Conductor, solenoid valve	
50	2931886010	A	B	Cover	
53	2932661016	A	B	Cover	
55	2932662014	A	B	Bracket	
68	0173768037	A	B	Heater, 325W, 120V	
70	2007457001	A	B	Washer, .5mm	
84	3858022019	A	B	Terminal block	
85	3858002185	A	B	Screw, zinc, RXS B6 x 25	
91	3858002177	A	B	Screw, zinc, RXS BS x 19	
95	2931132027	A	B	Spark generator	
113	2932733005	A	B	Label	
115	2932667039	A	B	Flue baffle	
150	3850337019	A	B	Bracket	
151	0561014010	A	B	Tension relief	
152	3850377015	A	B	Retainer, solenoid valve	
153	3858018017	A	B	Screw, zinc-plated, M5 x 25	
250	3858004033	A	B	Screw, zinc-plated, MRX M4X16	
251	3858011012	A	B	Lock washer, zinc-plated, 4.3X8	
252	3858009016	A	B	Hexagon nut, zinc-plated, M4X3.2	
253	3858028024	A	B	Lock nut, zinc-plated, M4	

### Cabinet, Rear View



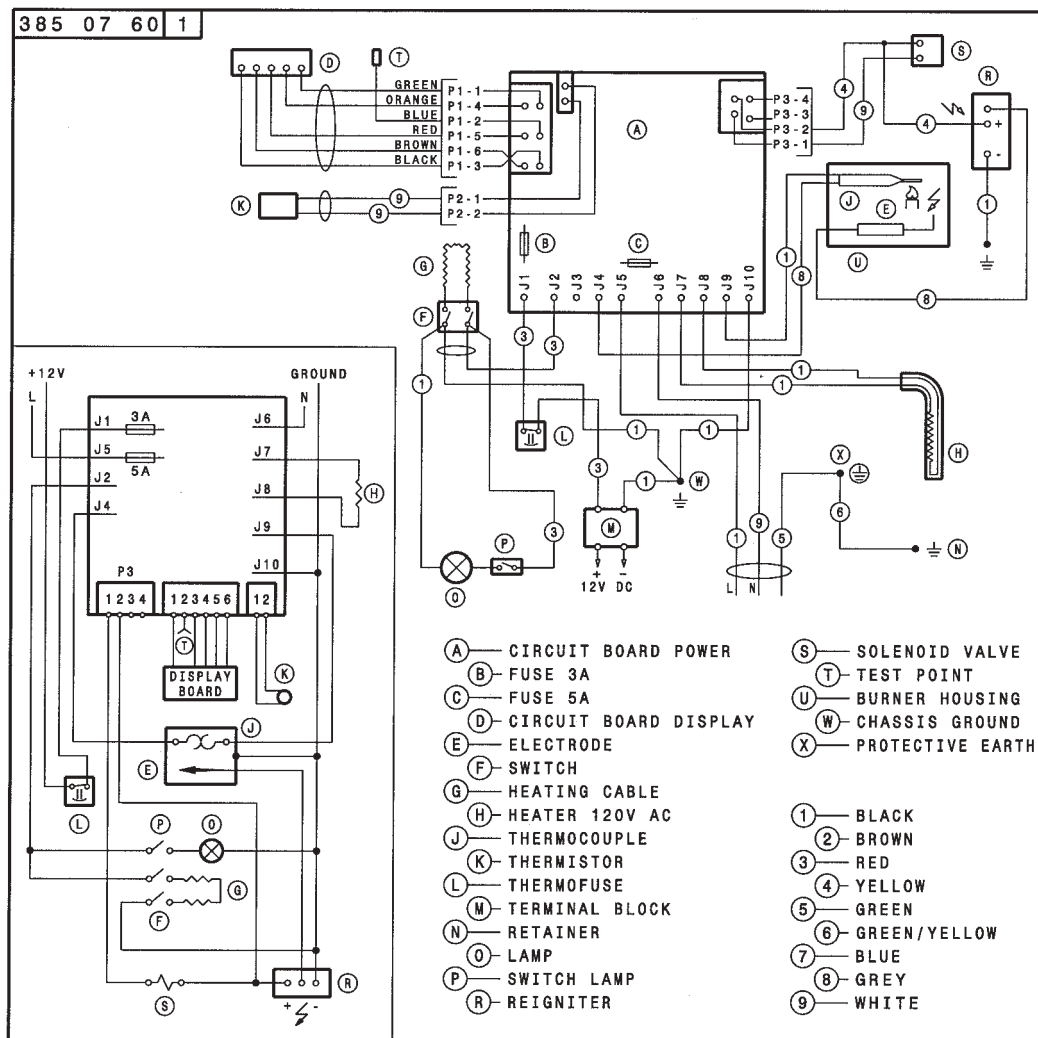
NCMOE2071023

## Cabinet, Rear View

**A=921144139****B=921144140****Index**

<b>No.</b>	<b>Part No.</b>	<b>A</b>	<b>B</b>	<b>Description</b>
100	2934606100	A	B	Cooling unit, 606
101	0173228008	A	B	Cap
102	2933557007	A	B	Cover sheet
104	3858068012	A	B	Screw, DK 4.8X16
140	3850582002	A	B	Label
141	3850583000	A	B	Label
145	2002699110	A	B	Power cord (not shown)

# Wiring Diagram



N38507601