



The Sign of Comfort

When ordering parts, always state:

MODEL NO. - PRODUCT NO. -
QUANTITY -
PART NUMBER - DESCRIPTION

For Electric Details also state:

VOLTAGE - WATTAGE

MODEL RM2663 PARTS LIST

USA

SERVICE OFFICE
Dometic Corporation
2320 Industrial Parkway
Elkhart, IN 46516
574-294-2511

CANADA

Dometic Distribution
866 Langs Drive
Cambridge, Ontario
CANADA N3H 2N7
519-653-4390

For Service Center

Assistance Call:

800-544-4881

Product Number	Model	Voltage	Refrig. Frame Color	Door Style	Door/Door Trim Color	Market	Brand
921144105	RM2663	12, 120	Black	Standard	Black	USA, Can	Dometic
921144106	RM2663	12, 120	Black	Standard	Black	USA, Can	Dometic
921144135	RM2663	12, 120	Black	Standard	Black	USA, Can	Dometic
921144136	RM2663	12, 120	Black	Standard	Black	USA, Can	Dometic

PARTS LIST

**MODEL
RM2663
Series**

REVISION:

Form No. 3309117.020 3/05
(Replaces 3309117.022)
©2005 Dometic Corporation
LaGrange, IN 46761

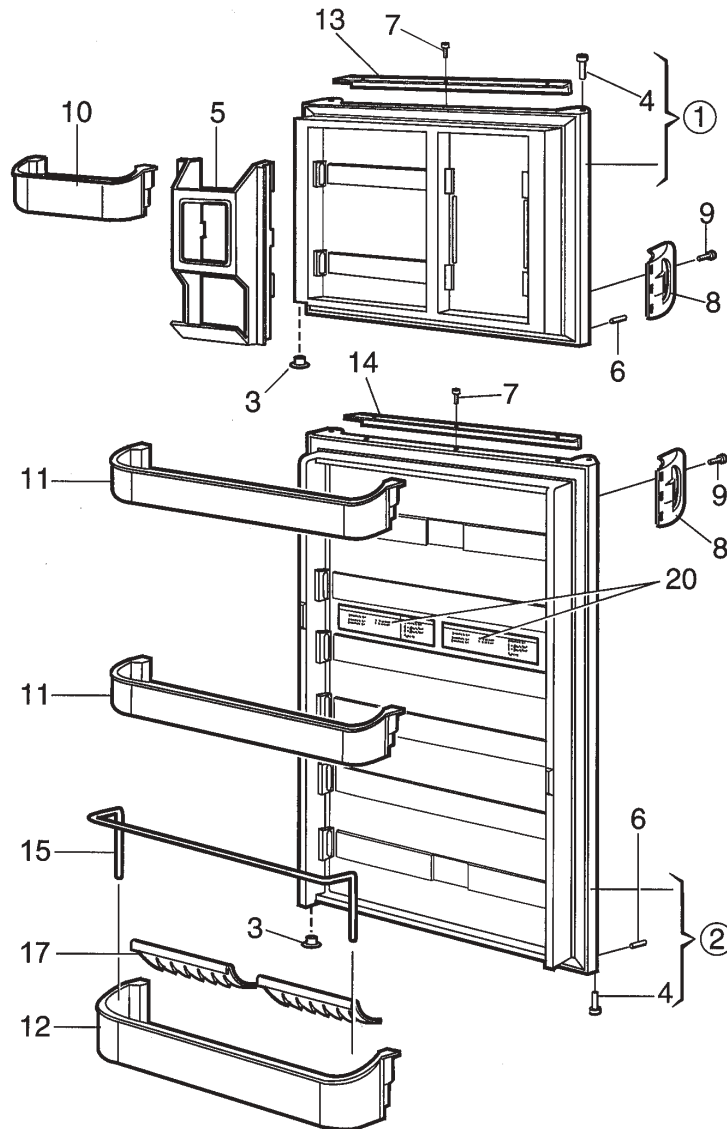
ALPHABETICAL INDEX

	Page#	Index#
Cabinet, Exterior Components	4-5	1-999
Cabinet, Interior Components	6-7	1-46
Cabinet, Rear View	10-11	100-141
Control & Burner Components	8-9	1-253
Door Assm.	3	1-20
Wiring Diagram	12	—

SPECIFICATIONS

Model	RM2663
Product Number*	921144105, 921144106 921144135, 921144136
Energy Source**	120VAC/12VDC/Gas
AC Heating Element	
Amperage	2.7
Ohm Resis. +/- 10%	41
Wattage	325W
DC Heating Element	
Amperage	18.0
Ohm Resis. +/- 10%	.067
Watts	215
BTU's Gas Burner	1500
Jet Size	#58
Flue Baffle	
Size	5-1/8" x 13/16"
Position Above Burner	1-7/8"
Ice Trays	0
Crispers	2
Bottle Holders	2
Climate Control Heater	
Amperage	0.5
Ohm Resis. +/- 10%	24
Wattage	6
* Product number located on refrigerator data plate.	
** 12 volt DC power is required to operate the refrigerator	

DOOR ASSEMBLY

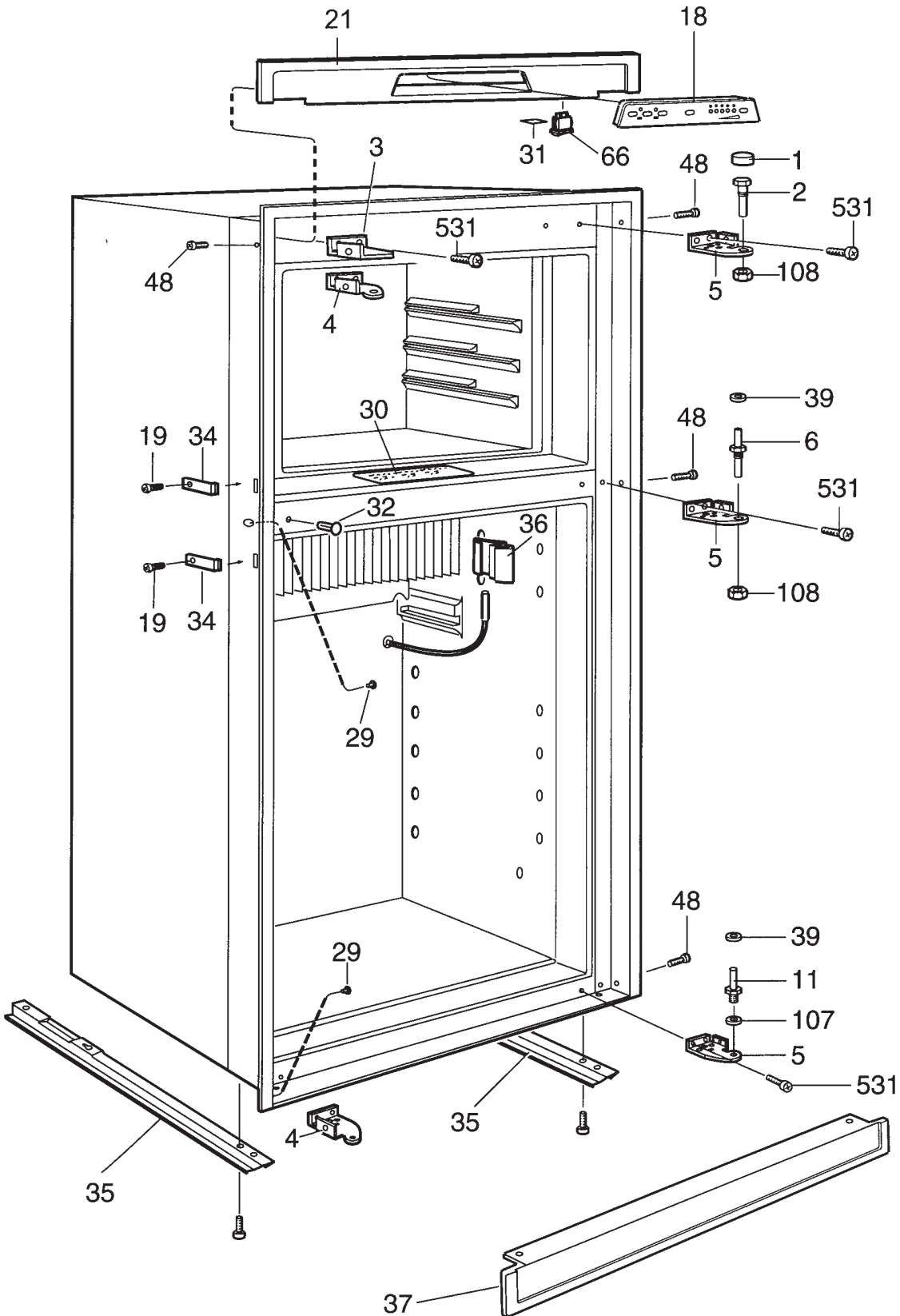


NCMOA2065171

A = 921144105-RM2663
B = 921144106-RM2663
C = 921144135-RM2663
D = 921144136-RM2663

Index No.	Part No.	Model	Description	Index No.	Part No.	Model	Description
1	2932561208	A -- C --	Door, Freezer LH Black	11	2932576016	A B -- --	Shelf, Door, before SN/4360000
	2932561190	-- B -- D	Door, Freezer RH Black		2932576065	A B C D	Shelf, door, clear, after SN/4370000
2	2932563063	A -- C --	Door, Refrigerator LH Black		2932575018	A B -- --	Shelf, Bottle, before SN/4360000
	2932563055	-- B -- D	Door, Refrigerator RH Black		2932575059	A B C D	Bottle Shelf, clear, after SN/4370000
3	2932740018	A B C D	Plug, Door Liner	13	3850381165	A B C D	Strip, Decoration Black
4	2931171066	A B C D	Bushing, Hinge Black	14	3850381322	A B C D	Strip, Decoration W/Logo Black
5	2932578020	A B -- --	Holder	15	2932585033	A B C D	Rack, after SN/4370000
	2932578038	-- -- C D	Holder, Transparent	17	2932658012	A B C D	Bottle Holder, after SN/4370000
6	2932588011	A B C D	Pin, Door Panel	20	2932722008	A B C D	Decal
7	3858002102	A B C D	Screw, RXS B4x9.5 Zinc		3850581004	A B C D	Decal French
8	2932093038	A B C D	Handle, Black				
9	3858000049	A B C D	Screw, PT 50x26 Black				
10	2932577014	A B -- --	Shelf, Door, before SN/4360000				
	2932577048	A B C D	Door shelf, clear, after SN/4370000				

CABINET, EXTERIOR COMPONENTS



NCMOB2047507

CABINET, EXTERIOR COMPONENTS

A = 921144105-RM2663

B = 921144106-RM2663

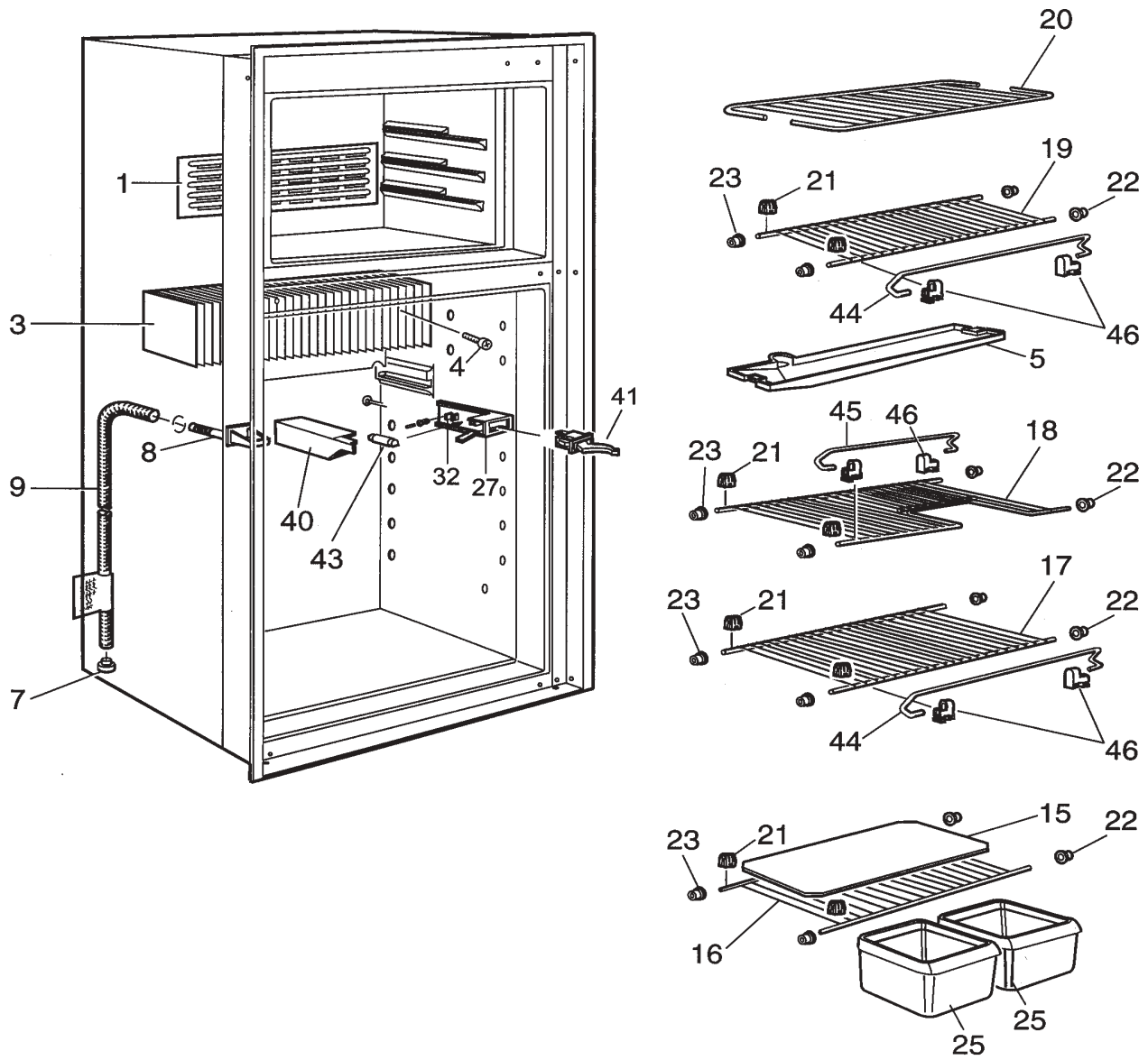
C = 921144135-RM2663

D = 921144136-RM2663

Index

No.	Part Number	Model	Description
1	2932736081	A B C D	Cover, Black
2	2932647015	A B C D	Pin, Hinge Upper
3	2932644046	A -- C --	Bracket RH Black
	2932644038	-- B -- D	Bracket LH Black
4	2932643048	A -- C --	Hinge, Black
5	2932643030	A B C D	Hinge, Black
6	2932648021	A B C D	Pin, Hinge Black
11	2932649011	A B C D	Pin Lower Hinge
18	2932884071	A B C D	Board, Display Black
19	3858002052	A B C D	Screw, RXS B6x6.5 Zinc
21	2932641034	A B C D	Front, Black
29	2930740077	A B C D	Plug, black
30	2932436005	A B C D	Decal
31	2932779008	A B C D	Decal
32	3850585039	A B C D	Plug, Black
34	2932855014	A B C D	Latch, Door
35	2932660018	A B C D	Runner
36	2932456011	A B C D	Bracket, Thermistor
37	2932690049	A B C D	Cover, Base Black
39	3858010022	A B C D	Washer 5.5x12x1 Black
48	3858004058	A B C D	Screw, MRX M4x4 Zinc
66	2932680016	A B C D	Switch
107	3858010113	A B C D	Washer, BRB 6.4x12.5 Zinc
108	3858009057	A B C D	Nut, M6 M6 Black
531	3858039047	A B C D	Screw, MRX M4x10
999	2932750124	A -- C --	Door Reversing Kit, LH-RH Black
	2932750116	-- B -- D	Door Reversing Kit, RH-LH Black

CABINET, INTERIOR COMPONENTS



NCMOD2065173

CABINET, INTERIOR COMPONENTS

A = 921144105-RM2663

B = 921144106-RM2663

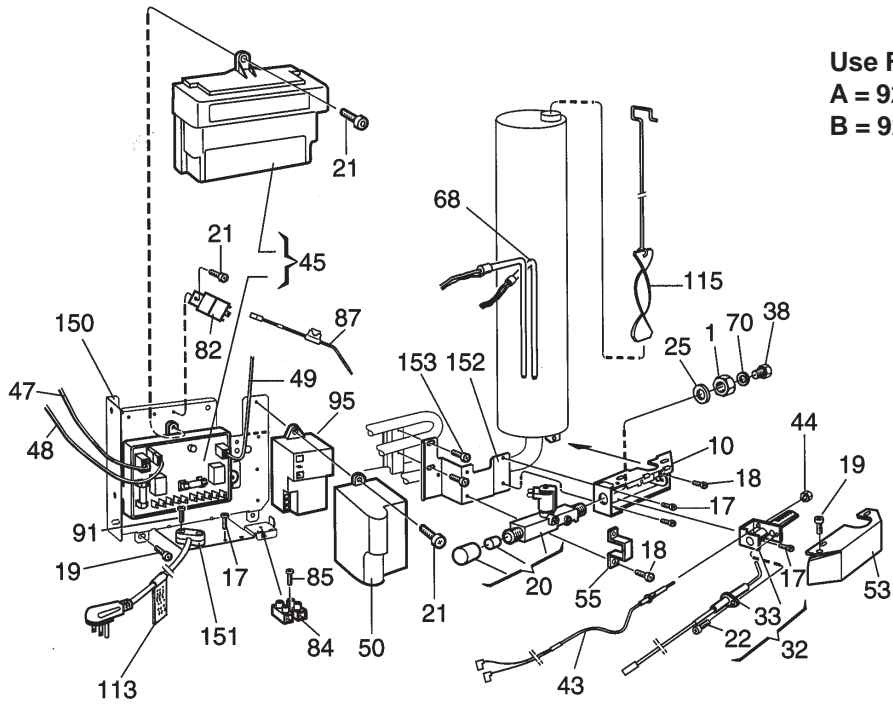
C = 921144135-RM2663

D = 921144136-RM2663

Index

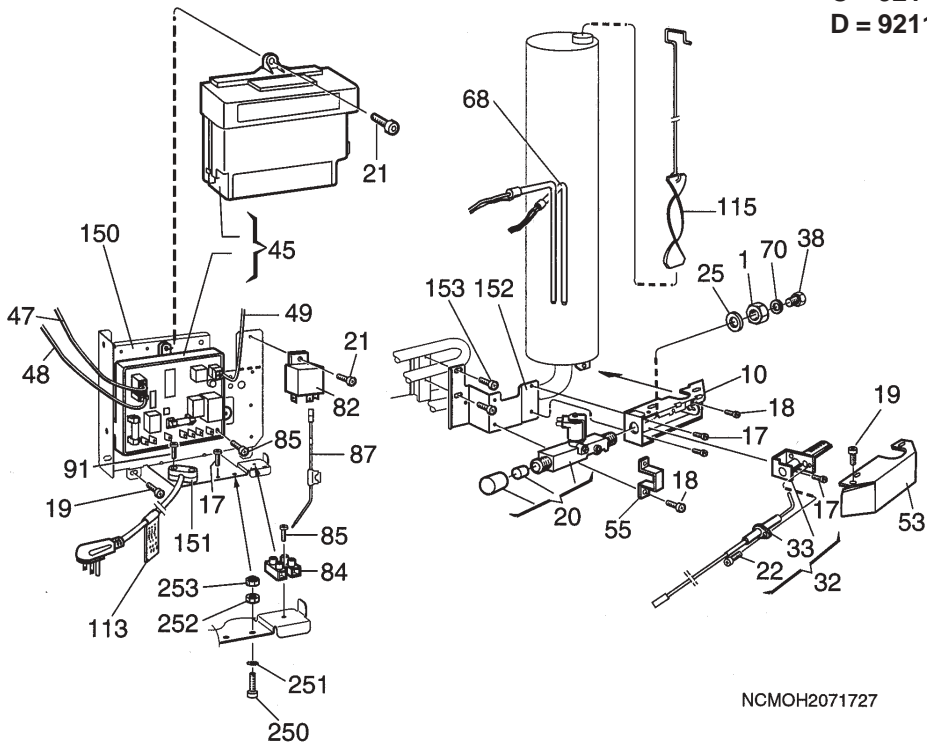
No.	Part No.	Model	Description
1	2932728013	A B C D	Coverplate
3	2932630011	A B C D	Fins, Cooling
4	3858036019	A B C D	Screw, KFXS B10x38 Zinc
5	2932624014	A B C D	Tray Condensate
7	2932115013	A B C D	Plug, Drain Hose
8	2932635010	A B C D	Drain
9	2932749019	A B C D	Hose, Drain
15	2931117176	A B C D	Shelf, Plastic
16	3850324025	A B C D	Shelf, Wire
17	3850324017	A B C D	Shelf, Wire
18	3850325014	A B C D	Shelf, Wire
19	3850324033	A B C D	Shelf Wire
20	2932627025	A B C D	Shelf, Wire
21	2932102011	A B C D	Support, Shelf
22	2932101013	A B C D	Plug
23	2932103019	A B C D	Plug
25	2932621010	A B -- --	Crisper, before SN/4360000
	2932621077	A B C D	Crisper, Clear, after SN/4370000
27	2932523018	A B C D	Holder, Lamp
32	2932108018	A B C D	Pin, Contact
40	2932106012	A B C D	Cover, Lamp
41	2932665017	A B C D	Switch
43	2007290006	A B C D	Bulb, 10W 12VDC
44	2007337211	A B C D	Rack, after SN/4370000
45	2007337120	A B C D	Rack, after SN/4370000
46	2930693045	A B C D	Holder, after SN/4370000

CONTROL & BURNER COMPONENTS



Use For Product Numbers
A = 921144105-RM2663
B = 921144106-RM2663

NCMOH2065172



Use For Product Numbers
C = 921144135-RM2663
D = 921144136-RM2663

NCMOH2071727

CONTROL & BURNER COMPONENTS

A = 921144105-RM2663

B = 921144106-RM2663

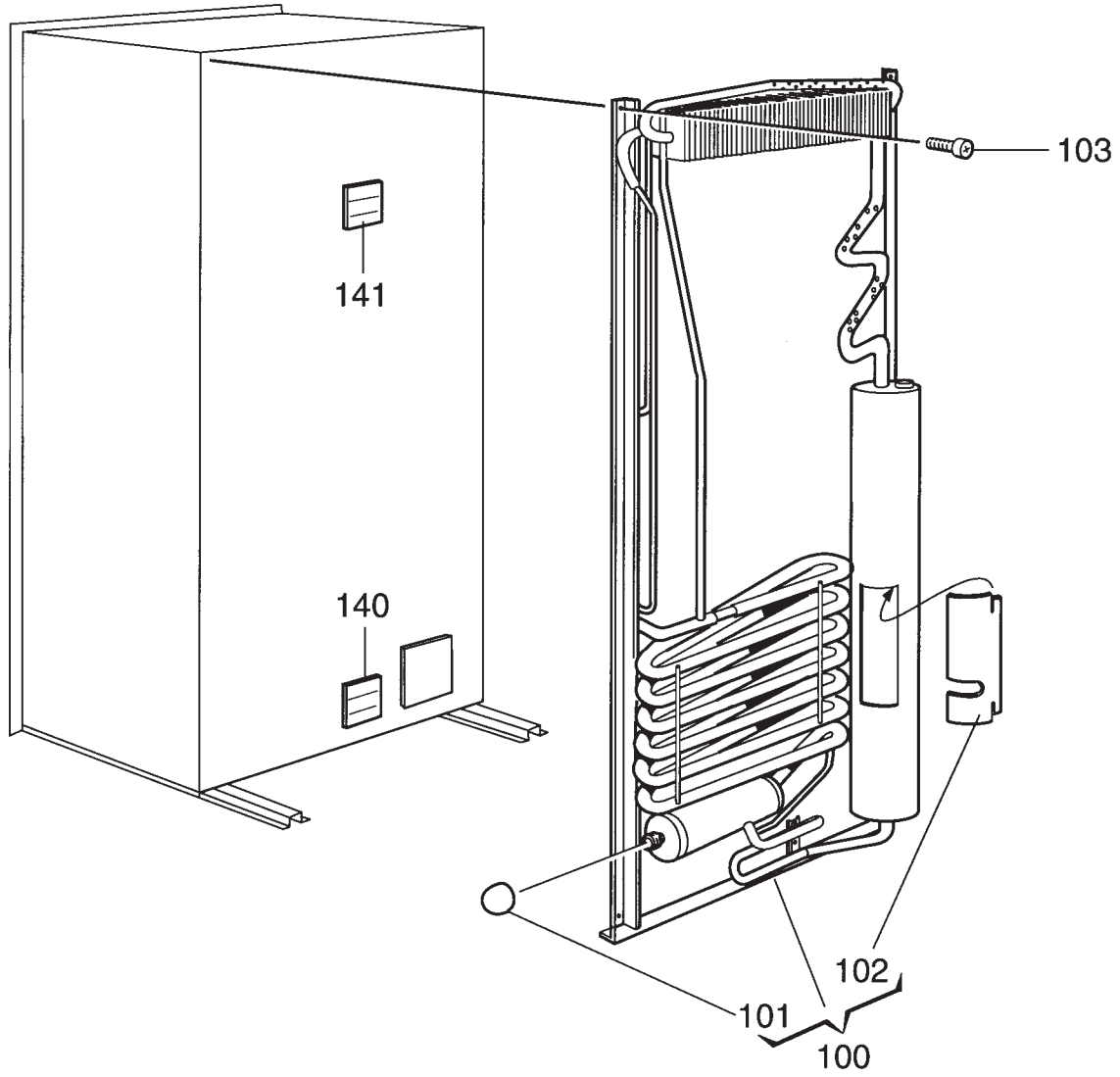
C = 921144135-RM2663

D = 921144136-RM2663

Index

No.	Part No.	Model	Description
1	0140207044	A B C D	Nut
10	2932603018	A B C D	Housing, Burner
17	3858039039	A B C D	Screw, MRX M4x8 Zinc
18	3858039047	A B C D	Screw, MRX M4x10 Zinc
19	3858002144	A B C D	Screw, RXS B6x9.5 Zinc
20	2932615012	A B C D	Valve Gas Solenoid
21	3858002151	A B C D	Screw, RXS B6x13 Zinc
22	3858005014	A B C D	Screw, RXK B6x9.5 Zinc
25	3858010071	A B C D	Washer, 12.5x18.5x1
32	2930697079	A B C D	Burner W/Lead
33	2932781012	A B C D	Electrode, W/Lead
38	2007419217	A B C D	Jet, #58
43	2932052018	A B -- --	Thermocouple
44	2801043015	A B -- --	Nut
45	3850415013	A B C D	Power Module
47	2954542037	A B C D	Conductor, PCB
48	2931863035	A B C D	Conductor, Thermistor
49	2954540015	A B -- --	Conductor, Gas Solenoid
	2954540049	-- -- C D	Conductor, Gas Solenoid
50	2931886010	A B -- --	Cover
53	2932661016	A B C D	Cover
55	2932662014	A B C D	Bracket
68	0173757097	A B C D	Heater, 215W 12VDC
	0173768037	A B C D	Heater, 325W 120VAC
70	2007457001	A B C D	Washer, 0.5mm
82	2930385006	A B C D	Relay
84	3858022019	A B C D	Terminal Block
85	3858002185	A B C D	Screw, RXS B6x25 Zinc
87	2954553018	A B C D	Wire W/Fuse
91	3858002177	A B C D	Screw, RXS B6x19 Zinc
95	2931132027	A B -- --	Spark Generator
113	2932733005	A B C D	Decal
115	2932667039	A B C D	Baffle, Flue
150	3850337019	A B C D	Bracket
151	0561014010	A B C D	Clamp, Cable
152	3850377015	A B C D	Retainer, Gas Solenoid
153	3858018017	A B C D	Screw, M5x25 Zinc
250	3858004033	-- -- C D	Retainer Solenoid Valve
251	3858011012	-- -- C D	Lock Washer 4.3 x 8
252	3858009016	-- -- C D	Hexagon Nut M4 x 3.2
253	3858028024	-- -- C D	Lock Nut, M4

CABINET, REAR VIEW



NCMOE2060737

CABINET, REAR VIEW

A = 921144105-RM2663

B = 921144106-RM2663

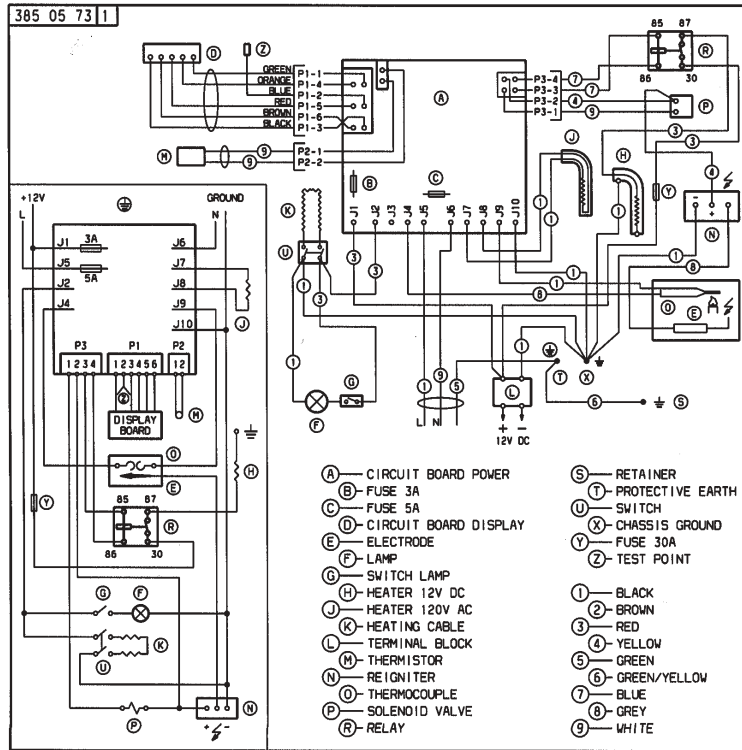
C = 921144135-RM2663

D = 921144136-RM2663

Index

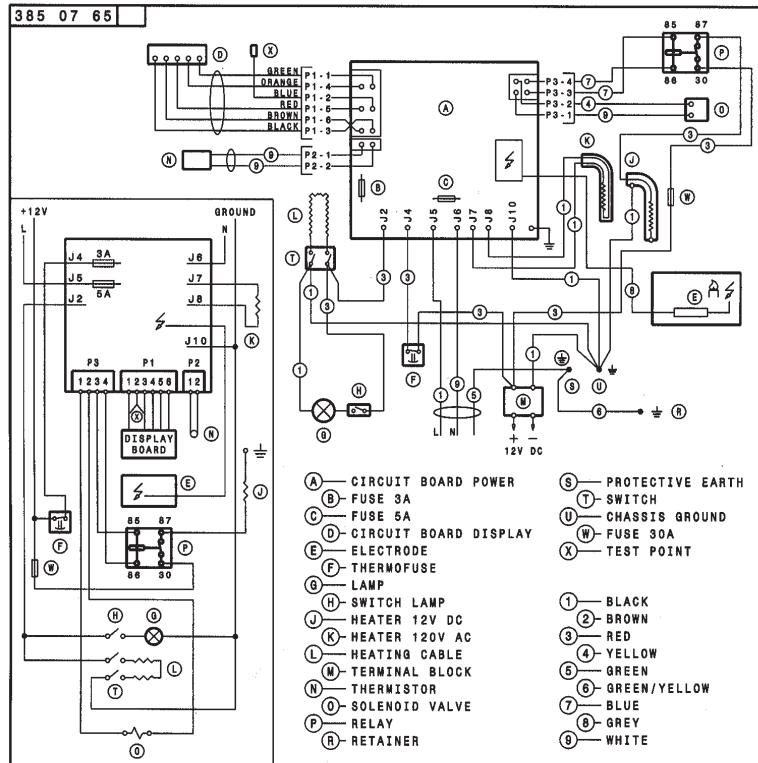
No.	Part No.	Model	Description
100	2934606092	A B -- --	Cooling Unit, Type 606
	2934606100	-- -- C D	Cooling Unit, Type 606 WThermal Fuse
101	0173228008	A B C D	Cap
102	2933557007	A B C D	Cover, Heater
103	3858020013	A B C D	Screw, DK4.8x16P Zinc
140	3850582002	A B C D	Decal
141	3850583000	A B C D	Decal

921144105 & 921144106 WIRING DIAGRAM



N38505731

921144135 & 921144136 WIRING DIAGRAM



N38507650