



WHEN ORDERING PARTS - ALWAYS STATE:
 MODEL NO. - PRODUCT NO. - QUANTITY -
 PART NO. - DESCRIPTION

REFRIGERATOR MODEL with BLACK FRAME RM3662 & RM3663

USA
 SERVICE OFFICE
 The Dometic Corp.
 509 So. Poplar St.
 LaGrange, IN 46761
 260-463-4858

CANADA
 Dometic Dist.
 866 Langs Dr.
 Cambridge, Ontario
 CANADA N3H 2N7
 519-653-4390

**For Service Center
 Assistance Call:**
 800-544-4881

MODEL	PRODUCT NUMBER	ENERGY SOURCE	APPROVALS	HINGE
RM3662	921144045	120/GAS	CA - US	LH
RM3663	921144047	120/GAS/12	CA - US	LH
RM3662	921144046	120/GAS	CA - US	RH
RM3663	921144048	120/GAS/12	CA - US	RH

PARTS LIST

MODELS
RM3662
RM3663

REVISION
 Form No. 3307619.027 9/02
 (Replaces 3307619.019)
 ©2002 Dometic Corporation
 LaGrange, IN 46761

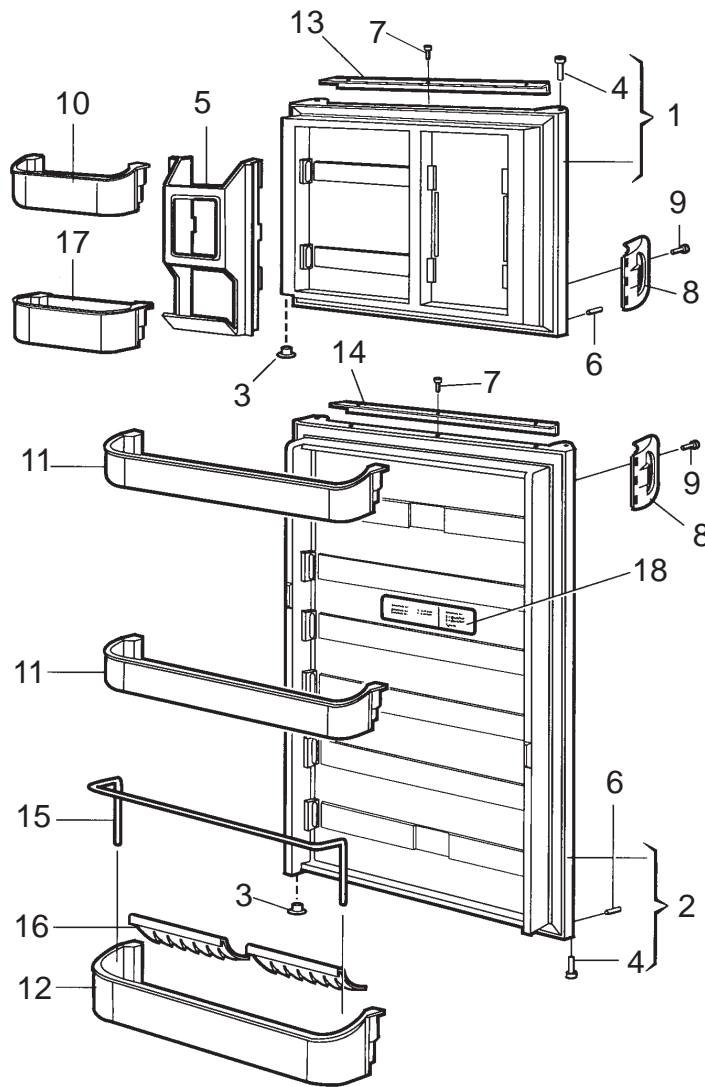
SPECIFICATIONS:

Model Number	RM3662	RM3662	RM3663	RM3663
Product Number*	921144045	921144046	921144047	921144048
Energy Source**	120VAC/GAS	120VAC/GAS	120VAC/12DC/GAS	120VAC/12DC/GAS
Heater, 120VAC Watts Ohms Amps	325 44 2.7	325 44 2.7	325 44 2.7	325 44 2.7
Heater, 12VDC Watts Ohms Amps	215 0.67 18	215 0.67 18	215 0.67 18	215 0.67 18
BTU's Gas	1500	1500	1500	1500
Burner Jet Size	58	58	58	58
Flue Baffle Size Location	5-1/8" x 13/16" 1-7/8" Above Burner	5-1/8" x 13/16" 1-7/8" Above Burner	5-1/8" x 13/16" 1-7/8" Above Burner	5-1/8" x 13/16" 1-7/8" Above Burner
Climate Control Heater Watts Ohms Amps	6 24 0.5	6 24 0.5	6 24 0.5	6 24 0.5
Ice Cube Trays	0	0	0	0
Crispers	2	2	2	2
Bottle Holders	2	2	2	2

* Product number located on refrigerator data plate.

** 12 Volt DC power is required to operate the refrigerator controls on all models.

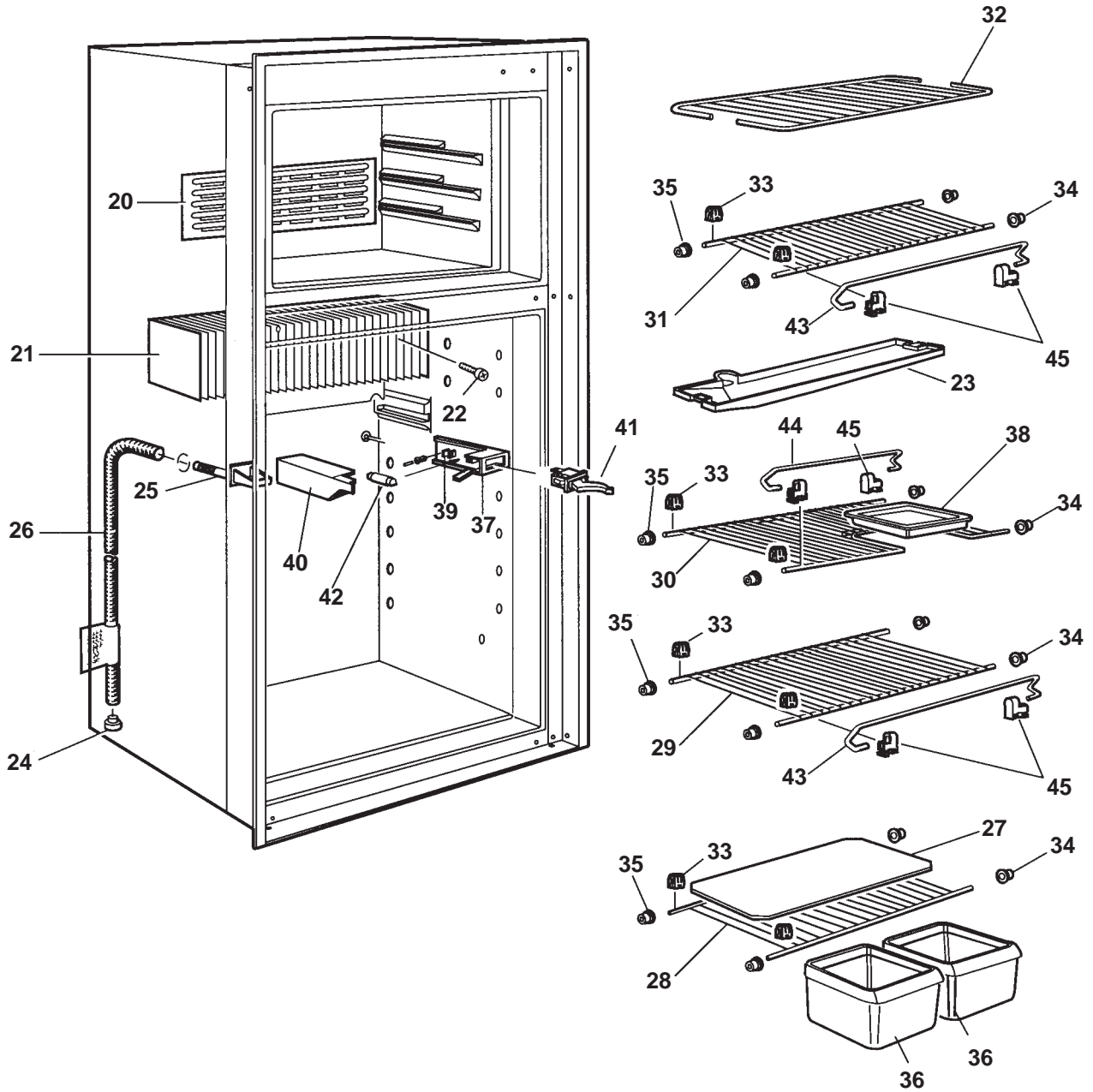
DOOR ASSEMBLY



- A = 921144045 - RM3662**
- B = 921144046 - RM3662**
- C = 921144047 - RM3663**
- D = 921144048 - RM3663**

INDEX	DESCRIPTION	PART NUMBER	MODEL
1	Door, Freezer, Blk - LH	2932561208	A -- C --
	Door, Freezer, Blk - RH	2932561190	-- B -- D
2	Door, Refr, Blk - LH	2932563063	A -- C --
	Door, Refr, Blk - RH	2932563055	-- B -- D
3	Plug (2 req)	2932740018	A B C D
4	Bushing, Hinge-Blk	2931171066	A B C D
5	Rack, Juice	2932578020	A B C D
6	Pin, Decorative Panel (4 req)	2932588011	A B C D
7	Screw. C2,9x9.5 (12 req)	7295225010	A B C D
8	Handle, Door- Blk (2 req)	2932093038	A B C D
9	Screw, PT 50x26, Blk (4 req)	3858000049	A B C D
10	Shelf, Door	2932577014	A B C D
11	Shelf, Door (2req)	2932576024	A B C D
12	Door, Shelf	2932575026	A B C D
13	Trim, Decration- Blk (3 req)	3850381165	A B C D
14	Trim, Decoration -Blk w/LOGO	3850381199	A B C D
15	Rack, Wire	2932585033	A B C D
16	Holder Bottle (2 req)	2932658012	A B C D
17	Tray, Ice	2932579010	A B C D
18	Decal	2932722008	A B C D

INTERIOR CABINET PARTS

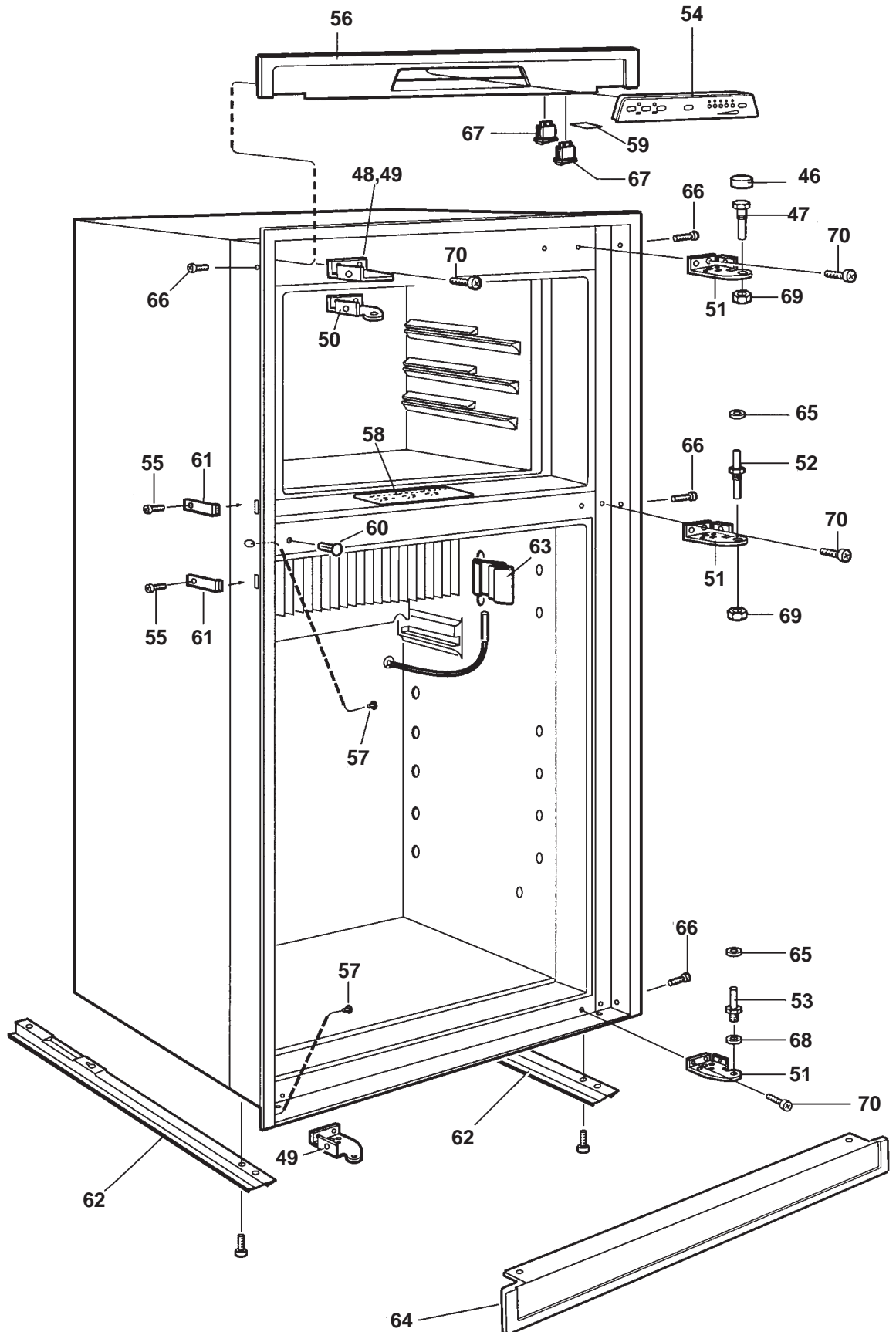


INTERIOR CABINET PARTS

A = 921144045 - RM3662
B = 921144046 - RM3662
C = 921144047 - RM3663
D = 921144048 - RM3663

INDEX	DESCRIPTION	PART NUMBER	MODEL
20	Coverplate	2932728013	A B C D
21	Fins, Cooling	2932630011	A B C D
22	Screw, B10x38	2801051018	A B C D
23	Tray, Drip	2932624014	A B C D
24	Plug, Drain Hose	2932115013	A B C D
25	Fitting Drain	2932635010	A B C D
26	Hose, Drain	2932749019	A B C D
27	Shelf, Plastic	2931117176	A B C D
28	Shelf, Wire	3850324025	A B C D
29	Shelf, Wire	3850324017	A B C D
30	Shelf, Wire	3850325014	A B C D
31	Shelf, Wire	3850324033	A B C D
32	Shelf, Wire	2932627025	A B C D
33	Support, Shelf (8 req)	2932102011	A B C D
34	Plug (8 req)	2932101013	A B C D
35	Plug (8 req)	2932103019	A B C D
36	Crisper (2 req)	2932621028	A B C D
37	Lampbase	2932523018	A B C D
38	Tray	2932636018	A B C D
39	Contact, Bulb	2932108018	A B C D
40	Cover, Light	2932106012	A B C D
41	Switch	2932665017	A B C D
42	Bulb, 12VDC-10W	2007290006	A B C D
43	Rack, Wire	2007337211	A B C D
44	Rack, Wire	2007337120	A B C D
45	Bracket, Wire Rack (6 req)	2930693045	A B C D

EXTERIOR CABINET PARTS



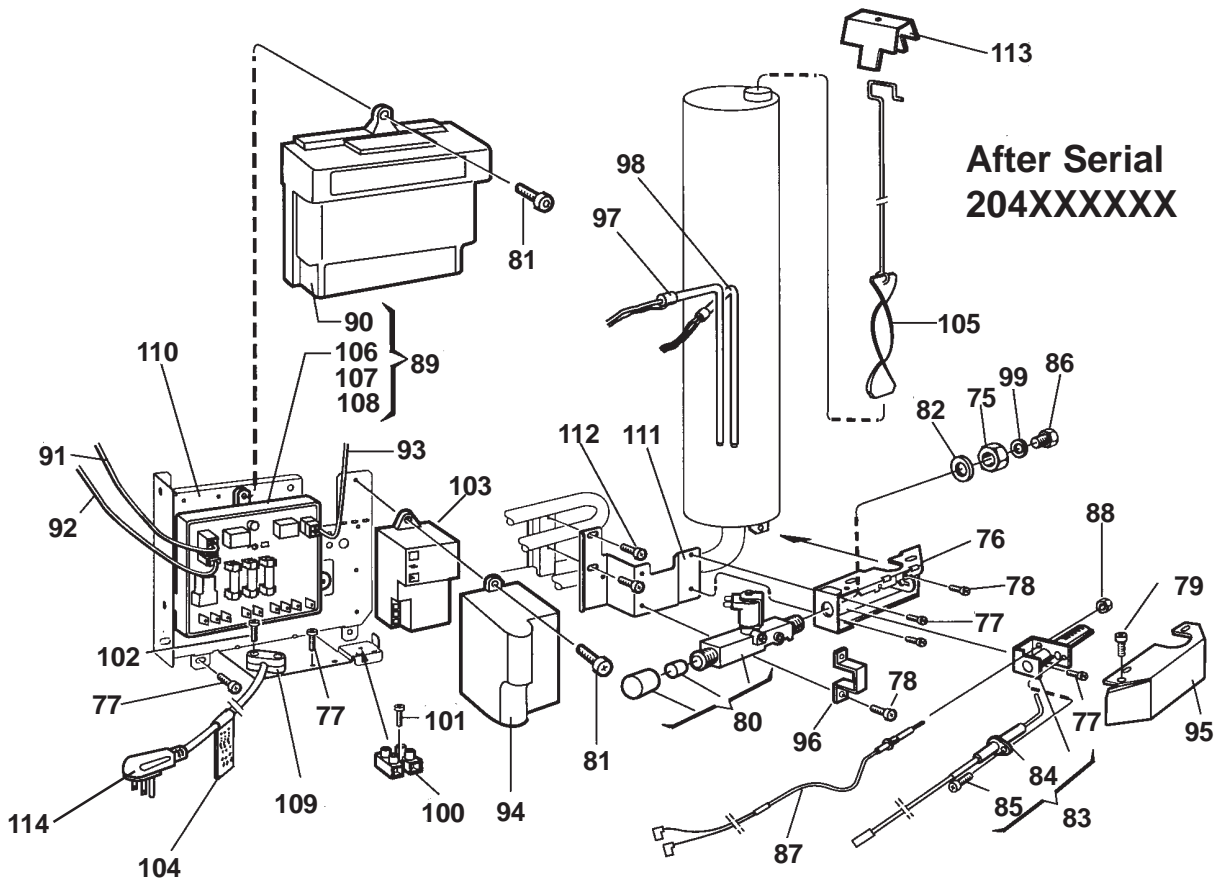
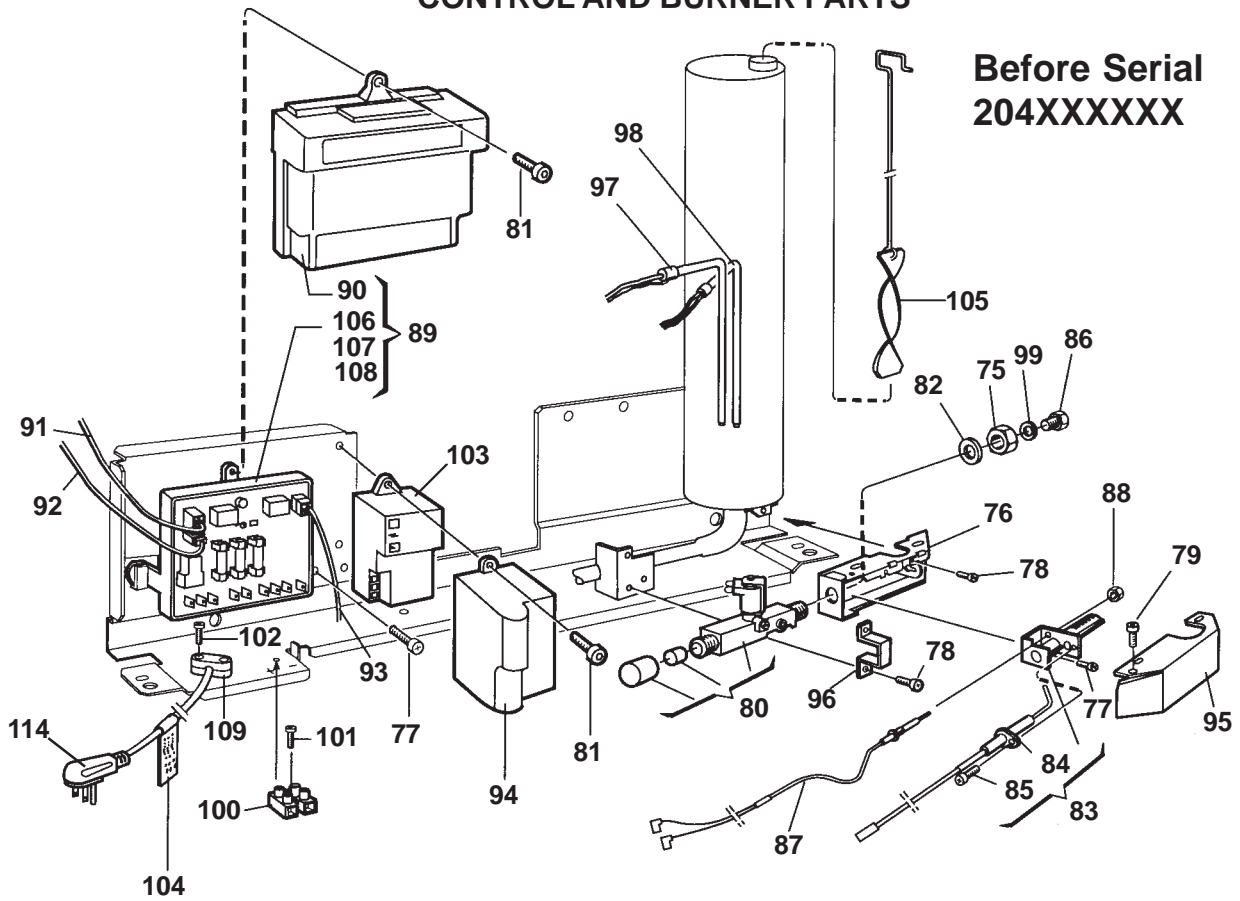
EXTERIOR CABINET PARTS
A = 921144045 - RM3662
B = 921144046 - RM3662
C = 921144047 - RM3663
D = 921144048 - RM3663

INDEX	DESCRIPTION	PART NUMBER	MODEL
46	Cover	2932736081	A B C D
47	Pin, Hinge	2932647015	A B C D
*48	Bracket, LH-Blk	2932644038	-- B -- D
*49	Bracket, RH-Blk	2932644046	A -- C --
*50	Hinge, LH-Blk	2932643048	A -- C --
*51	Hinge, RH-Blk	2932643030	A B C D
52	Pin, Hinge	2932648013	A B C D
53	Pin, Hinge, Lower	2932649011	A B C D
54	Panel, Control-3way-Blk	2932884071	-- -- C D
	Panel, Control 2way-Blk	2932884055	A B -- --
55	Screw, RXS, B6x6.5 (2 req)	3858002052	A B C D
56	Cover, Front-Blk	2932641042	A B C D
57	Plug-Blk (2req)	2930740077	A B C D
58	Decal, 3way	2932436005	-- -- C D
	Decal, 2way	2932435007	A B -- --
59	Decal, Switch	2933090009	A B C D
60	Cover-Blk	2932742048	A B C D
61	Latch (2 req)	2932855014	A B C D
62	Runner (2 req)	2932660018	A B C D
63	Bracket, Thermistor	2932456011	A B C D
64	Cover, Base Front-Blk	2932690049	A B C D
65	Washer (2 req)	7344880013	A B C D
66	Screw (3 req)	7241283014	A B C D
67	Switch (2req)	2932680024	A B C D
68	Washer	7341153018	A B C D
69	Nut (2 req)	7314316014	A B C D
70	Screw, MRX, M4x10 (8 req)	7241289615	A B C D
Customer Option - Not Required			
	Door Rev Kit, RH - LH, Blk	2932750116	A B C D
	Door Rev Kit, LH - RH, Blk	2932750124	A B C D

*RH Hinge Models requires 1ea #48 and 3ea #51

*LH Hinge Models requires 1ea #49, 2ea #50 and 1ea #51

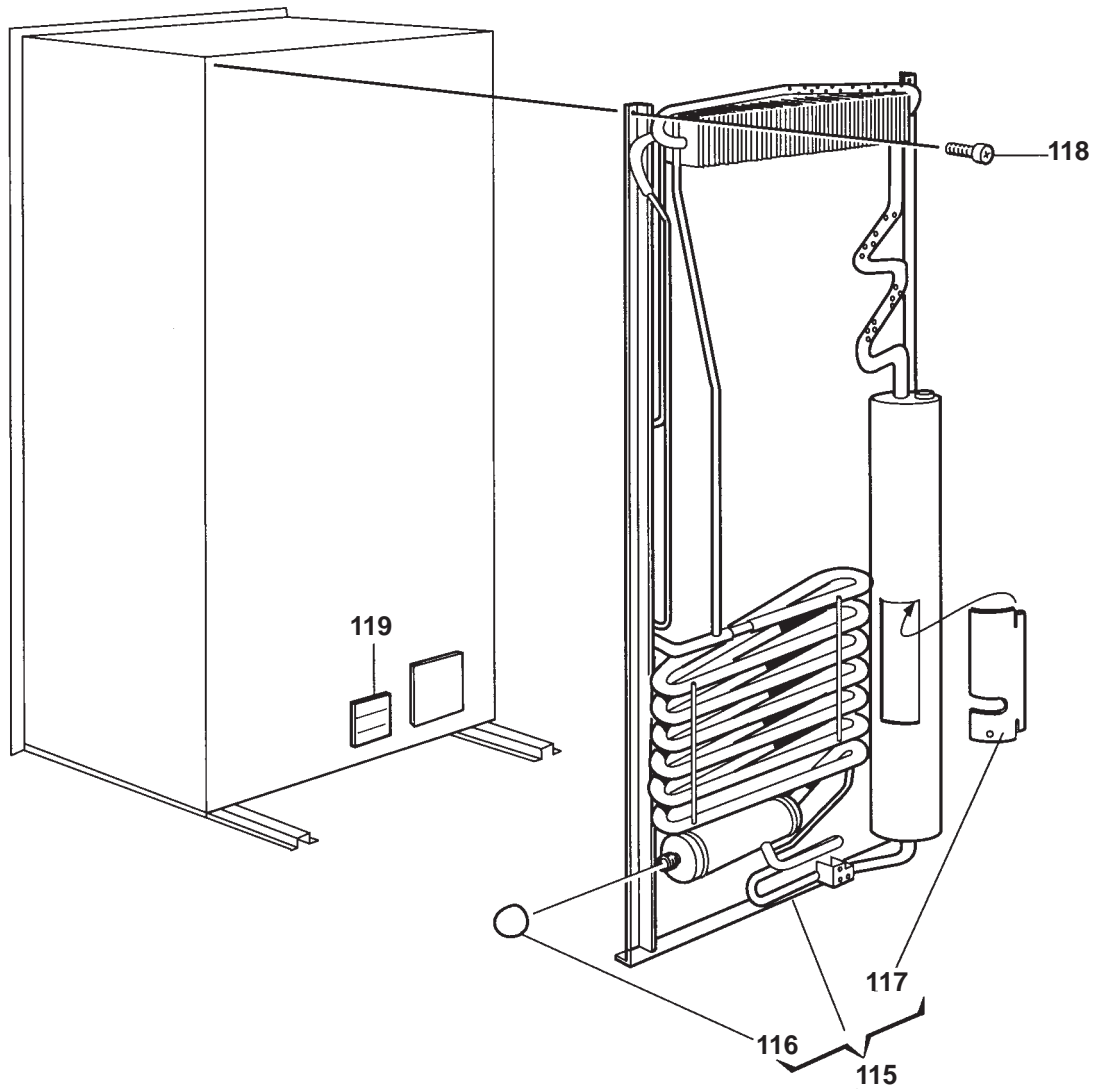
CONTROL AND BURNER PARTS



CONTROL AND BURNER PARTS
A = 921144045 - RM3662
B = 921144046 - RM3662
C = 921144047 - RM3663
D = 921144048 - RM3663

INDEX	DESCRIPTION	PART NUMBER	MODEL
75	Nut	0140207044	A B C D
76	Housing, Burner	2932603018	A B C D
77	Screw, M4x8 (3 req)	7241287619	A B C D
78	Screw, MRX,M4x10 (3 req)	7241289615	A B C D
79	Screw, RXS,B6x10	7295279017	A B C D
80	Solenoid Valve	2932615012	A B C D
81	Screw, RXS,B6x13	7295281013	A B C D
82	Washer	7345842012	A B C D
83	Burner, Complete	2930697079	A B C D
84	Electrode w/Wire	2932781012	A B C D
85	Screw, RXS,B6x6.5	3858002052	A B C D
86	Jet #58	2007419217	A B C D
87	Thermocouple	2932052018	A B C D
88	Nut	2801043015	A B C D
89	Power Module, 3way	2932882018	-- -- C D
	Power Module, 2way	2932881010	A B -- --
90	Cap	2931858019	A B C D
91	Lead, 5 Wire	2931862037	A B C D
92	Thermistor w/lead	2931863035	A B C D
93	Lead, Solenoid	2954437030	A B C D
94	Cover, Re-ignitor	2931886010	A B C D
95	Cover, Burner	2932661016	A B C D
96	Bracket, Gas Solenoid	2932662014	A B C D
97	Heater, 12VDC-215W	0173757089	-- -- C D
98	Heater, 120VAC-325W	0173768037	A B C D
99	Washer, 0.5mm	2007457001	A B C D
100	Terminal Block	3858022019	A B C D
101	Screw, RXS,B6x25	7295287010	A B C D
102	Screw, RXS,B6x19 (2 req)	7295285014	A B C D
103	Re-ignitor	2931132019	A B C D
104	Decal	2932733005	A B C D
105	Baffle, Flue	2932667039	A B C D
106	Fuse, 3 Amp	2943541009	A B C D
107	Fuse, 5 Amp	2943542007	A B C D
108	Fuse, 35 Amp	0955036124	A B C D
109	Strain Relief (2 req)	0561014010	A B C D
110	Bracket	3850337019	A B C D
111	Bracket, Solenoid	3850377015	A B C D
112	Screw, M5x25 (2 req)	3858018017	A B C D
113	Top, Flue	2930402009	A B C D
114	Cord, Power	2002699110	A B C D

REAR CABINET PARTS

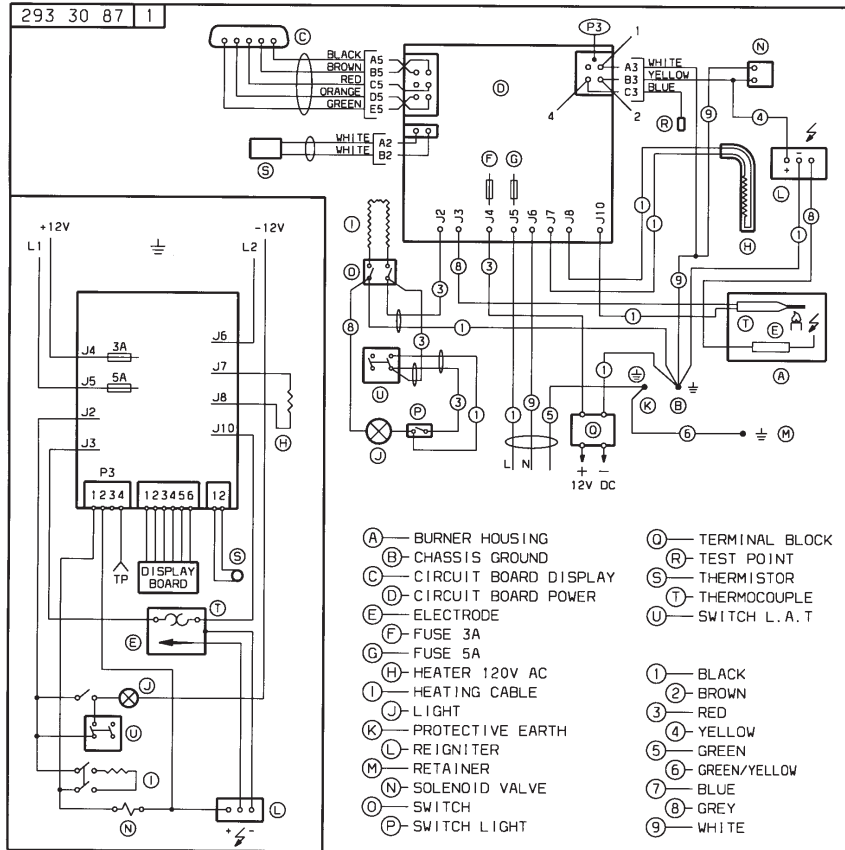


- A = 921144045 - RM3662
- B = 921144046 - RM3662
- C = 921144047 - RM3663
- D = 921144048 - RM3663

INDEX	DESCRIPTION	PART NUMBER	MODEL
115	Cooling Unit	See Note	A B C D
116	Cap	0173228008	A B C D
117	Cover, Heater	2933557007	A B C D
118	Screw, DK4.8x16P (6 req)	3858020013	A B C D
119	Decal	2932723006	A B C D

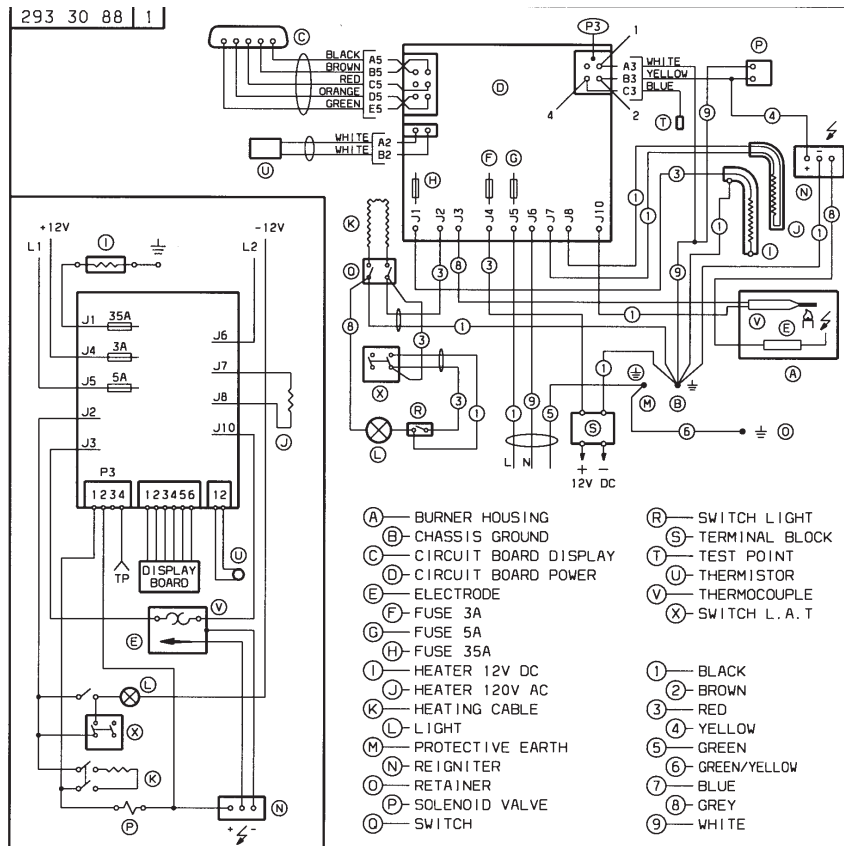
NOTE: Before serial number 204XXXXXX use C/U 2934605094
 After serial number 204XXXXXX use C/U 2934606092

RM3662 WIRING DIAGRAM



N29330871

RM3663 WIRING DIAGRAM



N29330881