



When ordering parts, always state:
 MODEL NO. - PRODUCT NO. - QUANTITY -
 PART NUMBER - DESCRIPTION
For Electric Details also state:
 VOLTAGE - WATTAGE

USA
 SERVICE OFFICE
 Dometic Corporation
 2320 Industrial Parkway
 Elkhart, IN 46516
 574-294-2511

CANADA
 Dometic Corporation
 46 Zatonski, Unit 3
 Brantford, ON N3T 5L8
 CANADA
 519-720-9578

**For Service Center
 Assistance Call:**
 800-544-4881

RM3762 PARTS LIST REFRIGERATOR

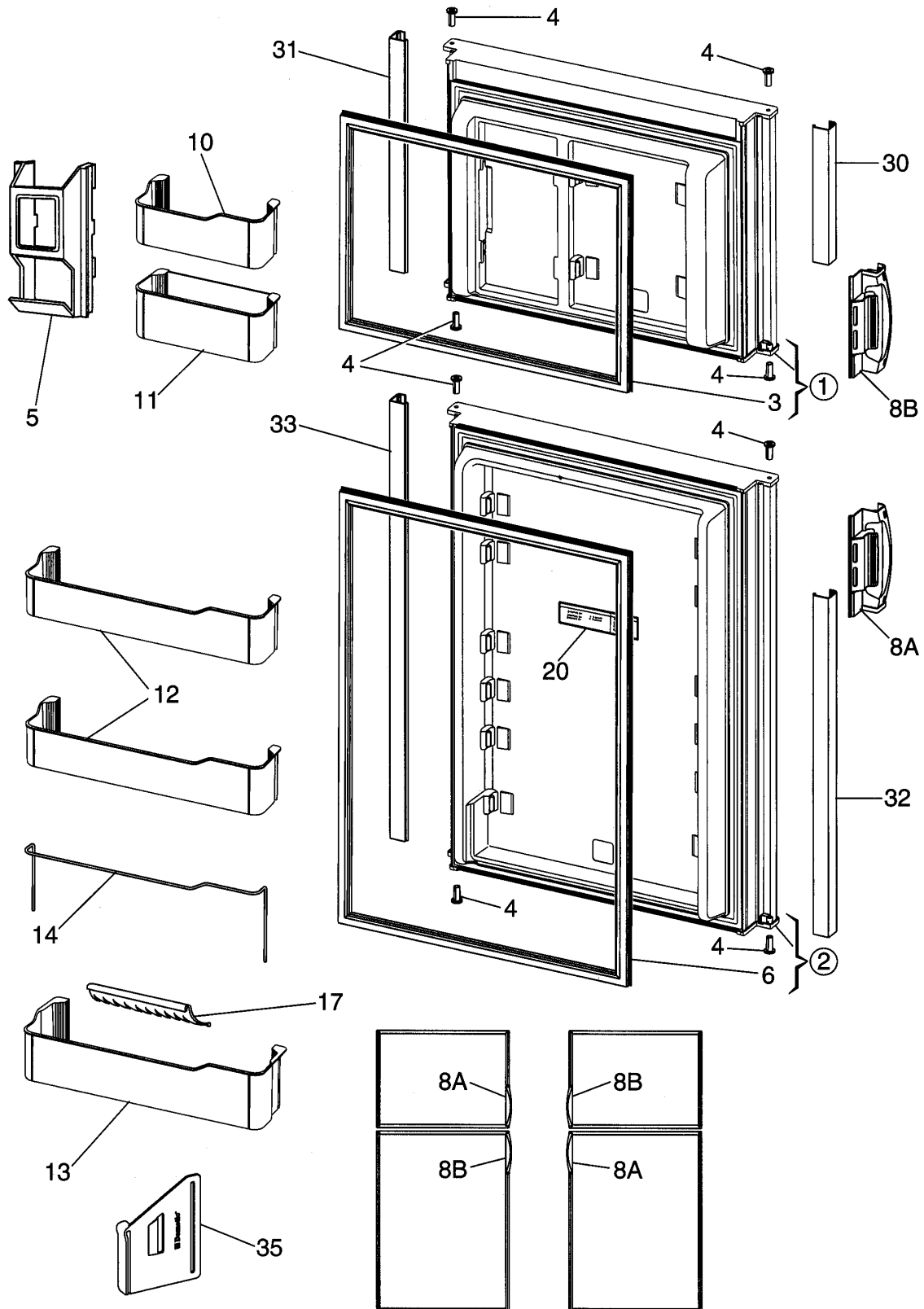
Product No.	Model	Voltage	Refrig Frame Color	Door Style	Door/Door Trim Color	Market	Brand
921144221	RM3762	120VAC	Black	Standard	Black	USA/Can	Dometic
921144222	RM3762	120 VAC	Black	Standard	Black	USA/Can	Dometic

PARTS LIST

**MODEL
 RM3762**

SPECIFICATIONS	
Model	RM3762
Product No.*	921144221 921144222
Energy Source**	120 VAC, Gas
AC Heating Element	
Amperage	2.7
Ohn Resistance $\pm 10\%$	44
Wattage	325
Jet Size	#58
BTU's Gas Burner	1500
Flue Baffle	
Size	5-1/8" x 13/16"
Poosition Above Burner	1-7/8"
Ice Trays	0
Crispers	2
Bottle Holders	1
Climate Control Heater	
Watts	6
Ohms	24
Amperage	.5
* Product numbers located on refrigerator data plate	
** 12volt DC power is required to operate the refrigerator controls on all models	

DOOR ASSEMBLY



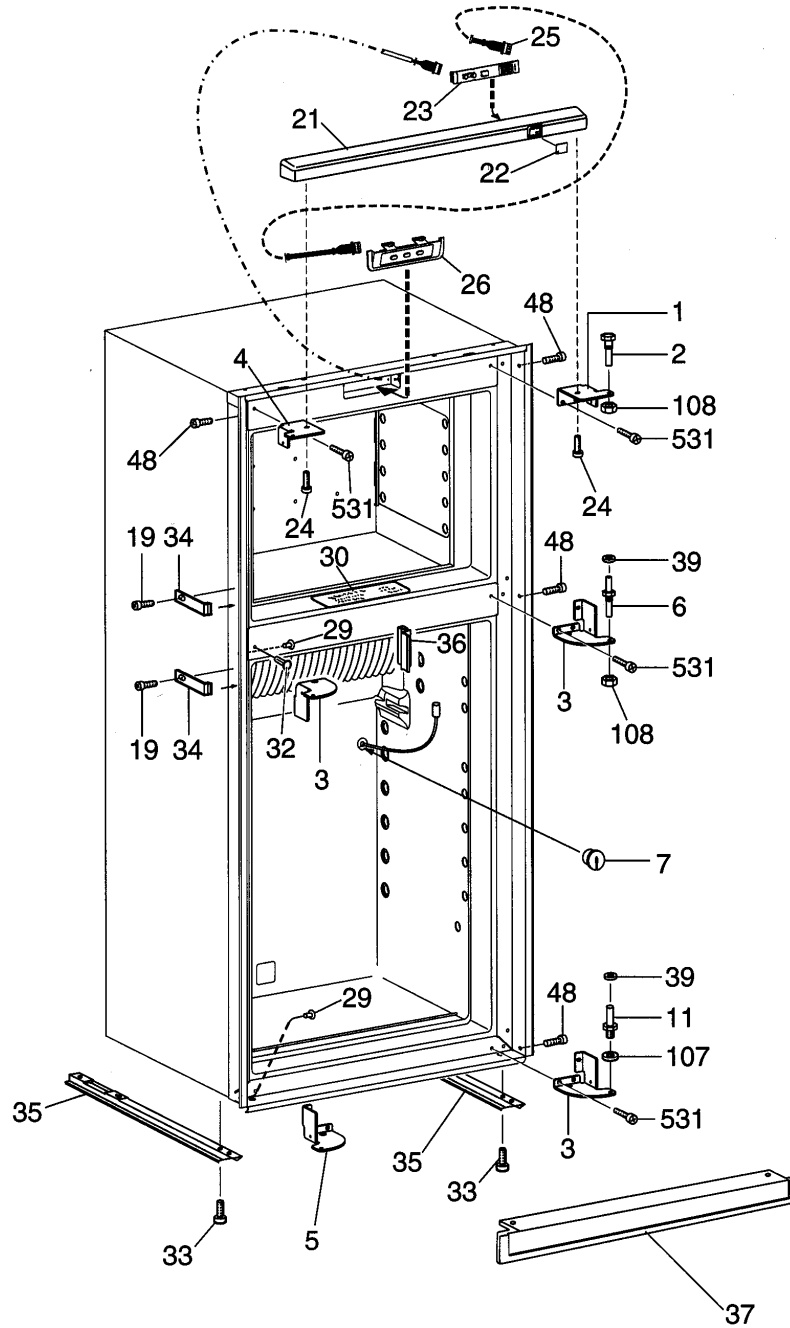
DOOR ASSEMBLY

RM3762 921144221 = A

RM3762 921144222 = B

Index	Part Number	Model		Description
1	3850998018	A	B	Door, Freezer
2	3850997010	A	B	Door, Refr
3	3850990031	A	B	Door Gasket
4	2931171066	A	B	Hinge Bushing, Black
5	2932578038	A	B	Holder, Transparent
6	3850990023	A	B	Door Gasket
8A	3851047021	A	B	Handle, Black
8B	3851047013	A	B	Handle, Black
10	3850973011	A	B	Self
11	3850972013	A	B	Ice Box
12	3850974019	A	B	Door Shelf
13	3850975016	A	B	Door Shelf
14	3850976014	A	B	Rack
17	2932658012	A	B	Bottle Holder, White
20	3851235006	A	B	Label
30	3850982012	A	B	Profile, Side, Freezer
31	3850982020	A	B	Profile, Side, Freezer
32	3850982038	A	B	Profile, Side, Refr
33	3850982046	A	B	Profile, Side, Refr
35	3851206015	A	B	Spacer, Door

CABINET EXTERIOR PARTS



NCMOR20R2414

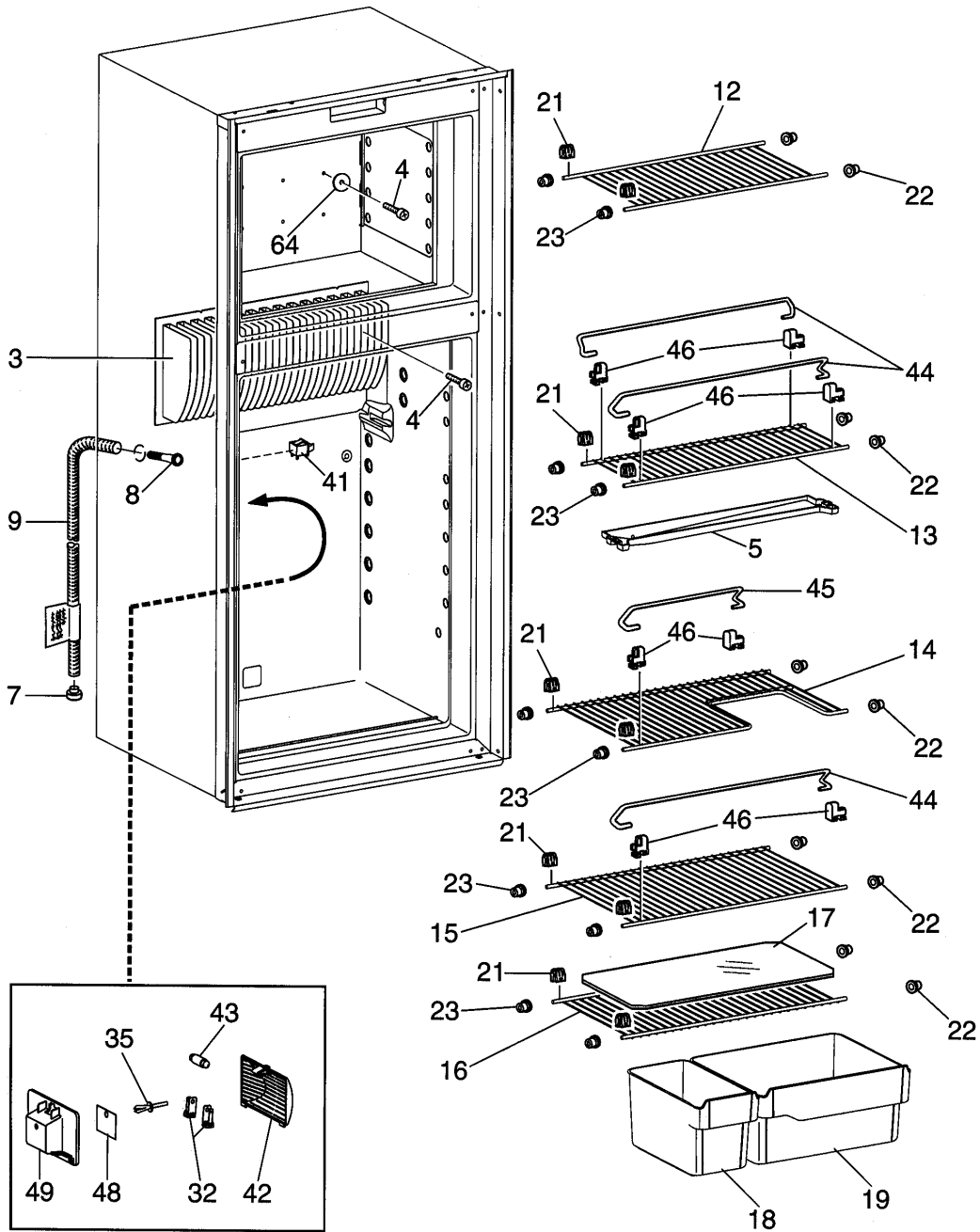
CABINET EXTERIOR PARTS

RM3762 921144221 = A

RM3762 921144222 = B

Index	Part Number	Model		Description
1	3850989025	A	B	Hinge, Black
2	2932647015	A	B	Hinge Pin, Upper
3	3851187025	A	B	Hinge, Black
4	3850989017	A	B	Hinge, Black
5	3851187017	A	B	Hinge, Black
6	2932648021	A	B	Hinge Pin, Black
7	2002301006	A	B	Cover
11	2932649011	A	B	Hinge Pin, Lower
19	3858002052	A	B	Screw, RXS B6x6.5
21	3850967013	A	B	Cover, Front, Black
22	3850970017	A	B	Lens
23	3850969019	A	B	Printed Circuit Board
24	3858006012	A	B	Screw, PT PH4x10
25	2954568016	A	B	Harness
26	3850964010	A	B	Control Panel
29	2930740077	A	B	Cover, Black
30	3851035000	A	B	Instruction Plate
32	3850585039	A	B	Plug, Black
33	3858039096	A	B	Screw, MRX M5x14
34	2932855014	A	B	Fastening Bow
35	2932660018	A	B	Rail
36	3851088017	A	B	Bracket Thermistor
37	2932690049	A	B	Base Cover, Black
39	3858010022	A	B	Washer, Black
48	3858004058	A	B	Screw, MRX M4x4
107	3858010113	A	B	Washer, BRV 6.4x12.5
108	3858009057	A	B	Nut, Black
531	3858039047	A	B	Screw MRX M4x10
999	3851044028	A	--	Door Reversing Kit, LH-RH, Black
	3851044010	--	B	Door Reversing Kit, RH-LH, Black

CABINET INTERIOR PARTS



NCMOD2094510

CABINET INTERIOR PARTS

RM3762 921144221 = A

RM3762 921144222 = B

Index	Part Number	Model		Description
3	3851121016	A	B	Cooling Flange
4	3858036019	A	B	Screw KFXS B10x38
5	3851040018	A	B	Drop Tray, Transparent
7	2932115013	A	B	Discharge Pipe, Plug
8	3851041016	A	B	Drain Pipe
9	2932749019	A	B	Drain Hose
12	2932022011	A	B	Shelf
13	3850994017	A	B	Shelf
14	3850995014	A	B	Shelf
15	3850994033	A	B	Shelf
16	3850994025	A	B	Shelf
17	2931117218	A	B	Shelf Plate, Transparent
18	3850992011	A	B	Crisper, Small, Transparent
19	3850993019	A	B	Crisper Transparent
21	2932102011	A	B	Shelf, Support
22	2932101013	A	B	Plug
23	2932103019	A	B	Plug
32	2932108018	A	B	Contact Pin
35	0165521030	A	B	Expansion Rivet
41	3851000012	A	B	Switch
42	3850962014	A	B	Lamp Glass
43	2007290006	A	B	Lamp 10W, 12VDC
44	2007337211	A	B	Rack
45	2007337120	A	B	Rack
46	2930693045	A	B	Holder
48	3850963012	A	B	Reflector
49	3850961016	A	B	Lamp Housing
64	3858010147	A	B	Washer, 5.2x22x1.5

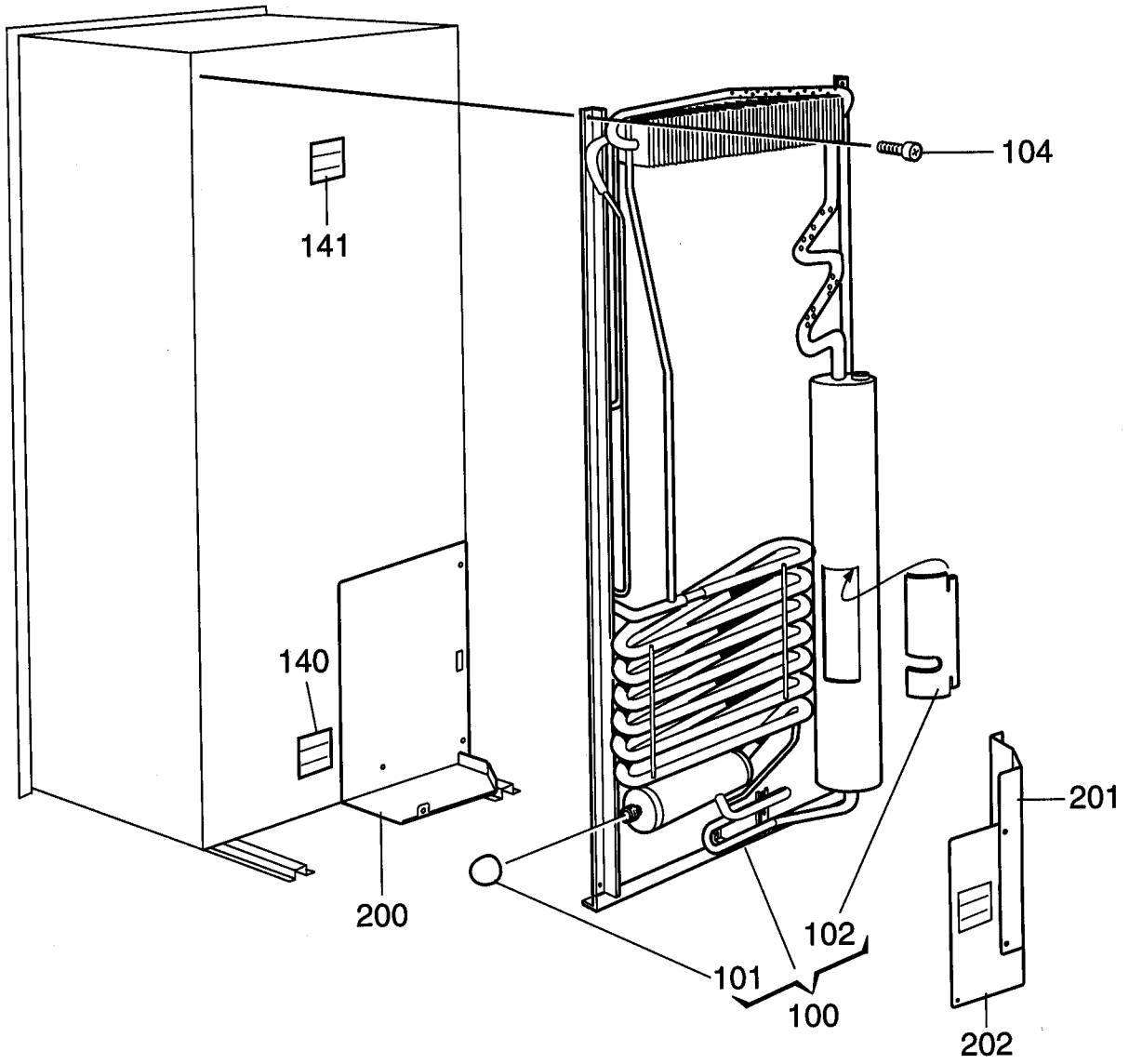
BURNER & CONTROLS

RM3762 921144221 = A

RM3762 921144222 = B

Index	Part Number	Model		Description
1	0140207044	A	B	Nut
10	2932603018	A	B	Burner Housing
17	3858039039	A	B	Screw, MRX M4x8
18	3858039047	A	B	Screw, MRX M4x10
19	3858002144	A	B	Screw, RXS B6x9.5
20	2932615012	A	B	Solenoid Valve
21	3858002151	A	B	Screw, RXS B6x13
22	3858005014	A	B	Screw, RXK B6x9.5
25	3858010071	A	B	Washer
32	2930697079	A	B	Burner W/Conductor
33	2932781012	A	B	Electrode W/Conductor
38	2007419217	A	B	Jet # 58
43	2932052018	A	B	Thermocouple
44	2901043015	A	B	Nut
45	3851005011	A	B	Power Module
48	3851059034	A	B	Conductor, Thermistor
49	2954539017	A	B	Conductor, Solenoid Valve
50	2931886010	A	B	Cover
53	2932661016	A	B	Coveer
55	2932662014	A	B	Bracket
68	3850644422	A	B	Heater, 325W 120VAC
70	2007457001	A	B	Washer
84	3858022019	A	B	Terminal Block
85	3858002185	A	B	Screw, RXS B6x25
91	3858002177	A	B	Screw, RXS B6x19
95	2931132019	A	B	Spark Genrator
113	2932733005	A	B	Label
115	2932667039	A	B	Flue Baffle
120	2002699094	A	B	Cord Set
150	3850337019	A	B	Bracket
151	0561014010	A	B	Cable Clamp
152	3850377015	A	B	Retainer, Solnoid Valve
153	3858018017	A	B	Screw, M5x25
250	3858004033	A	B	Screw, MRX M4x16
251	3858011012	A	B	Washer, Lock
252	3858009016	A	B	Nut, Hex
253	3858028024	A	B	Lock Nut

CABINET REAR



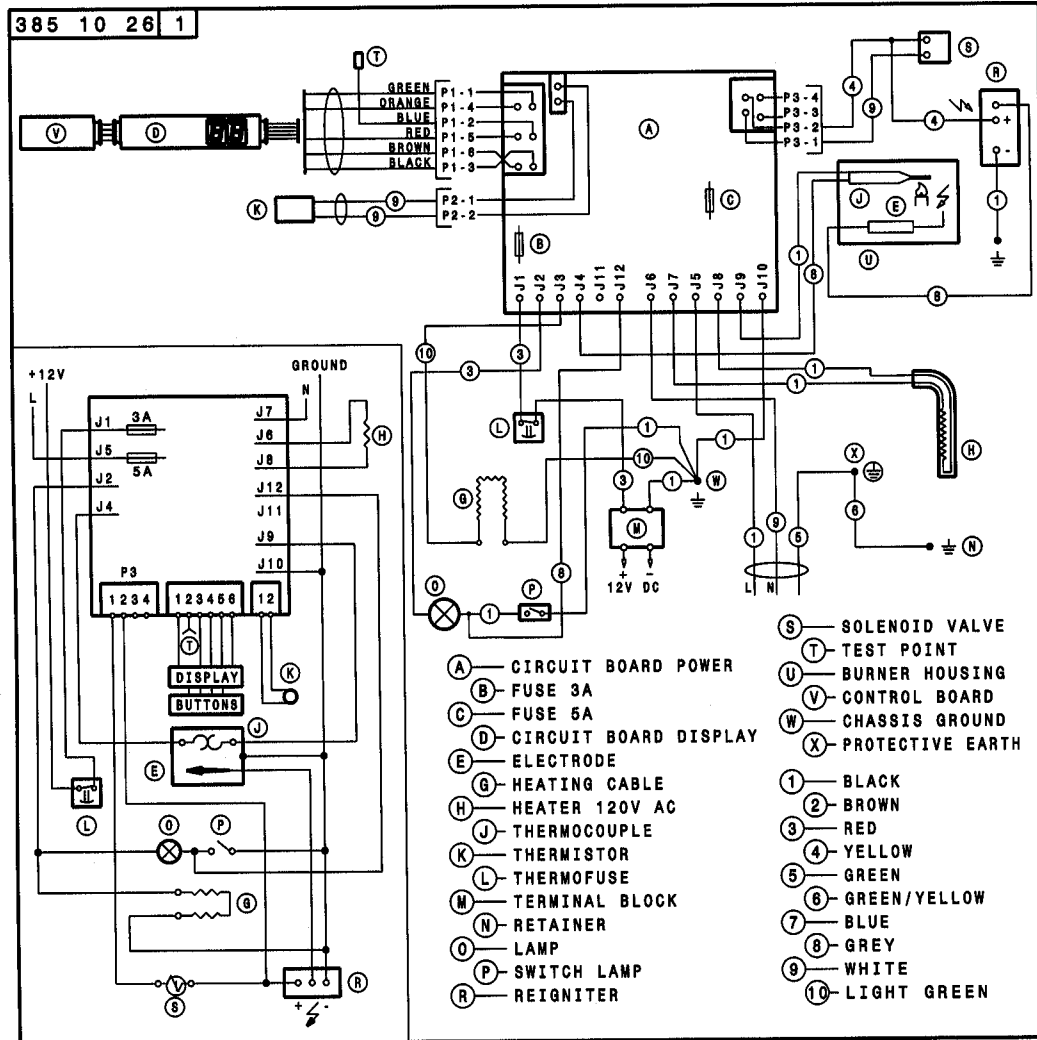
CABINET REAR

RM3762 921144221 = A

RM3762 921144222 = B

Index	Part Number	Model		Description
100	2934606118	A	B	Cooling Unit, W/Thermal Fuse, Type 606
101	0173228008	A	B	Cap
102	2933557007	A	B	Cover Sheet
104	3858068012	A	B	Screw, DK4.8x16
140	3850582002	A	B	Decal
141	3850583000	A	B	Decal
200	3851300016	A	B	Cover Plate
201	3851301014	A	B	Cover Plate, Side
202	3851302012	A	B	Cover Plate, Back

WIRING DIAGRAM



N38510261