



WHEN ORDERING SPARE PARTS, ALWAYS STATE:  
MODEL NO. - PRODUCT NO. - QUANTITY-  
PART NO. - DESCRIPTION -  
FOR ELCETRICAL DETAILS ALSO:  
VOLTAGE - WATTAGE

**630516.321**  
**ROOF MOUNTED**  
**RV HEAT PUMP**

**115 VAC / 60 Hz.**  
**Includes C, D & E Suffix No.**

**USA**  
SERVICE OFFICE  
Dometic Corp.  
509 So. Poplar St.  
LaGrange, IN 46761  
260-463-4858

**CANADA**  
Dometic Dist.  
866 Langs Dr.  
Cambridge, Ontario  
CANADA N3H 2N7  
519-653-4390

**For Service Center**  
**Assistance Call:**  
800-544-4881

**USED WITH THE**  
**3109228.001 COMFORT CONTROL CENTER**  
**3106395.XXX AIR DISTRIBUTION BOXES**  
**AND**  
**3105007.XXX, 3105935.XXX AND 3308120.XXX**  
**RETURN AIR COVER KIT**

**PARTS LIST**

**MODEL**  
**630516.321**  
Prod. No. 991760370

**REVISION**  
Form No. 3307768.014 3/03  
(Replaces 3307768.006  
©2003 Dometic Corporation  
LaGrange, IN 46761



### SPECIFICATIONS

<b>MODEL NUMBER</b>	<b>630516.321</b>	
Nominal Capacity (BTU/HR)*	15,000	
Electrical Rating	115VAC, 60Hz., PH.	
Compressor Rated Load Amps	12.0	
Fan Motor Rated Load Amps	3.3	
Compressor Locked Rotor Amps	64.0	
Fan Motor Locked Rotor Amps	8.5	
SCFM - High Speed (Max./Min.)	380/250	
Refrigerant (R22) oz.	21.5	
Minimum Wire Size**	12 AWG Copper up to 24ft.	
AC Circuit Protection (User Supplied)	20 Amp Time Delay Fuse or HACR Circuit Breaker	
DC Circuit Protection (User Supplied)	Installation must comply with all National, State, Province and/or Local Electrical Codes	
Installed Weight (Pounds)	104	
Minimum Generator SIZE***	1UNIT	3.5 KW
	2 UNITS	5.0KW

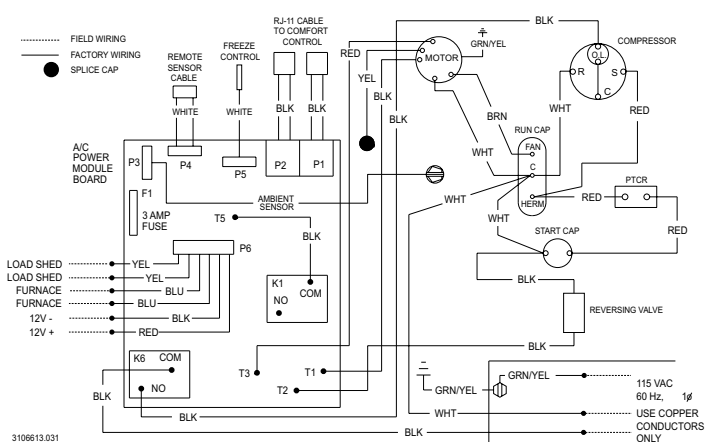
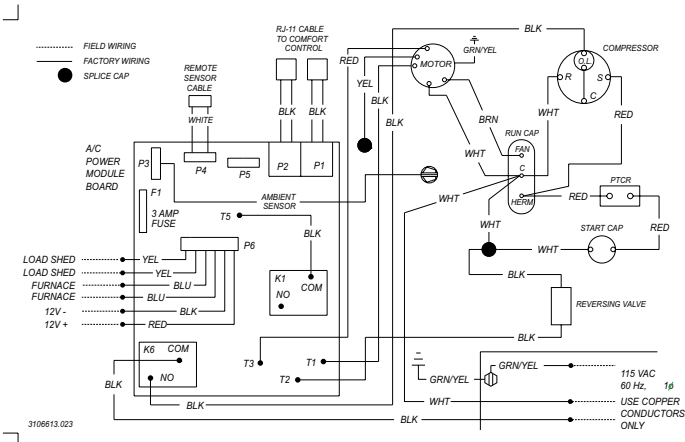
\* Maximum unit performance achieved at full rated voltage.

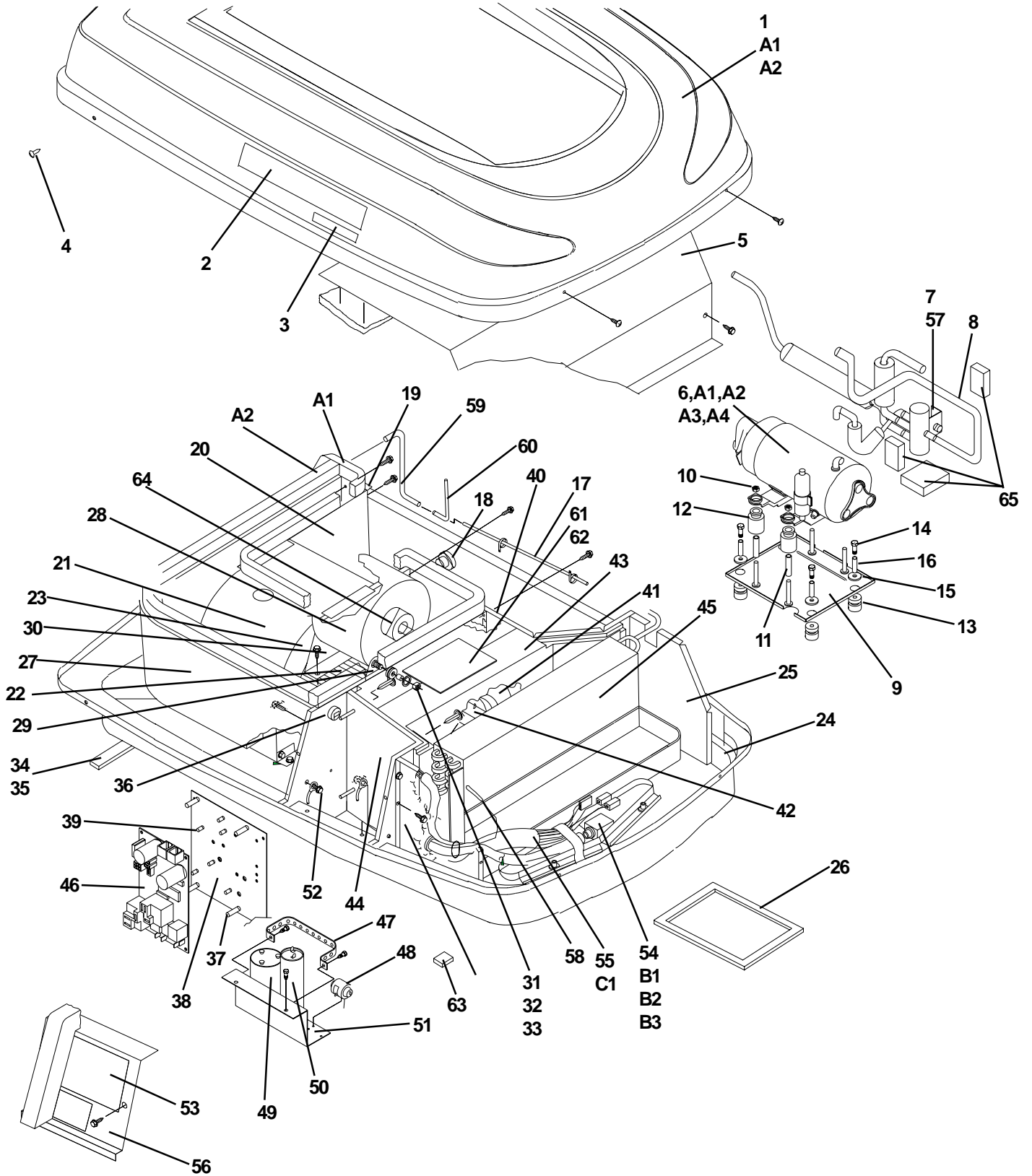
\*\* For lengths over 24ft., consult the National Electric Code.

\*\*\* The Dometic Corp. gives general guidelines for generator requirements. These guidelines come from experiences people have had in actual applications. When sizing the generator, the total power usage of your recreational vehicle must be considered. Also keep in mind generators lose power at high altitudes and from lack of maintenance.

### WIRING DIAGRAM FOR MODELS EARLY VERSION 630516.326

### WIRING DIAGRAM FOR MODELS LATER VERSION 630516.326





Index	Description	Part Number	56	3102510.009
1	Shroud	See Note 1	57	3105505.014
	A1 Tape, Foam 1.25" x 0.75" x 63"	3102669.052	58	
	A2 Tape, Foam 1.25" x 1.25" x 35"	3102669.029		
2	Decal, Duo-Therm (2 req.) (Not Used On "D" or "E" Suffix)	3108694.021	59	3109409.001
3	Decal, Heat Pump (2 req.) (Not Used On "E" Suffix)	3106381.001	60	3109886.006
4	Screw, Shroud (4 req.)	313685.001	61	20309.005
5	Cover, Evaporator w/insulation	3102514.803	62	3105014.058
6	Compressor, Asm	3109769.012	63	3100294.002
	A1 Cover Terminal	3102321.001	64	3100587.009
	A2 Gasket Terminal Cover	3102320.003	65	3109409.001
	A3 Overload	3100250.384	66	3307807.002
	A4 Nut Flange	306342.005		3100587.017
7	Solenoid, Reversing Valve	3105504.009	<b>NOTE 1:</b>	
8	Asm, Reversing Valve Weldment	3106042.033	<b>Models ending in .321</b>	
9	Plate Cmpr. Mtg w/studs	3102590.035	use 3308047.004 Shroud, L/Decals-Shell White	
10	Nut, Flange (4 req.)	306342.002	<b>Models ending in .321C or .321E</b>	
11	Sleeve, Compressor (4 req.)	3100239.072	use 3308047.012 Shroud, L/Decals-Polar White	
12	Grommet, Compressor (4 req.)	3100238.181	<b>Models ending in .321D</b>	
13	Grommet, Cmpr. Mtg. Plate (4 req.)	3100238.207	use 3308047.020 Shroud, L/Decals-Light Gray	
14	Screw, 1/4"-20 X 1.25" (4 req.)	312110.041		
15	Washer, Steel (4 req.)	309513.015	<b>CUSTOMER OPTION:</b>	
16	Sleeve, Cmpr. Mtg. Plate (4 req.)	3100239.122	3106395.001 Box Asm., Complete SW	
17	Capillary Tube	3100245.533	3106395.019 Box Asm., Complete PW	
18	Bushing, Snap-In	301028.037	3107180.006 Kit, Jct. Box Cvr & Bolts	
19	Bulkhead, Condenser	3100256.019	3109228.001 Comfort Control Center	
20	Blower Side, Rear	3100261.001	3106486.008 Remote Sensor 20'	
21	Blower Scroll	3100260.003	3106486.016 Remote Sensor 60'	
22	Wheel, Condenser	3100274.004	3106486.024 Remote Sensor 40'	
23	Bulkhead, Blower	3100259.005	3105007.003 Cover, Kit Return Air-Shell White	
24	Kit, Base Pan	3103179.010	3105007.011 Cover, Kit Return Air-Polar White	
25	Bulkhead, Evaporator (Set RH/LH)	3102512.021	3105007.029 Cover, Kit Return Air-Gray	
26	Gasket, 14" X 14"	3100247.000	3105935.005 Cover, Quick Cool-Shell White	
27	Coil, Condenser	3109795.009	3105935.013 Cover, Quick Cool-Polar White	
28	Motor	3109770.002	*3308120.009 Asm., Return Air Grill-SW	
29	Mount, Motor Front	3100258.007	*3308120.017 Asm., Return Air Grill-PW	
30	Mount, Motor Rear	3109971.014	3106776.002 Kit, Cover w/conduit connector	
31	Grommet, Motor (4 req.)	3100230.022	* Replacement Filters available through Dometic	
32	Spacer (4 req.)	308046.002	3308155.005 SW	
33	Nut, Flange Fan Motor (4 req.)	306342.003	3308155.013 PW	
34	Gasket, 16" X 1.5" (2 req.)	3100286.016		
35	Gasket, 10" X 1.5"	3100286.032		
36	Strain Relief	302994.017		
37	Support, PC Board (6 req.)	3101623.019		
38	Plate, Adaptor PC Board	3107965.018		
39	Standoff, PC Board (8 req.)	3101624.017		
40	Bulkhead Compressor	3102511.056		
41	Housing, Evap Blwr	3100300.007		
42	Wheel, Evap	3100273.006		
43	Insulation, Evap Blower	3108903.000		
44	Bulkhead, Elect Box	3102532.029		
45	Coil, Evaporator	3109816.003		
46	Board, AC Power	3109229.009		
47	Strap, Capacitor	317188.000		
48	PTCR Device	3100876.006		
49	Capacitor, Fan/Run	3100248.602		
50	Capacitor, Compressor Start	3100236.235		
51	Panel, Capacitor Mounting	3104412.006		
52	Ambient Sensor	3106483.021		
53	Decal, Field Wiring (early version)	3106613.023		
	Decal, Field Wiring (later version)	3106613.031		
54	Asm, Power Cable	3108703.194		
	B1 Sleeve Fiberglass	3100394.109		
	B2 Box, Junction	3101316.036		
	B3 Strain Relief	302994.015		
55	Asm., Control Cable	3108703.186		
	C1 Coupler, In-Line (2 req.)	3106696.002		