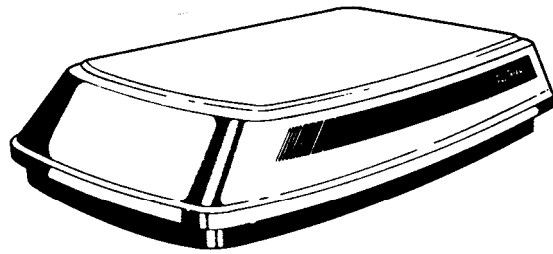


DUO-THERM®

60 & 61 Series ROOF MOUNT R.V. AIR CONDITIONER

PARTS LIST



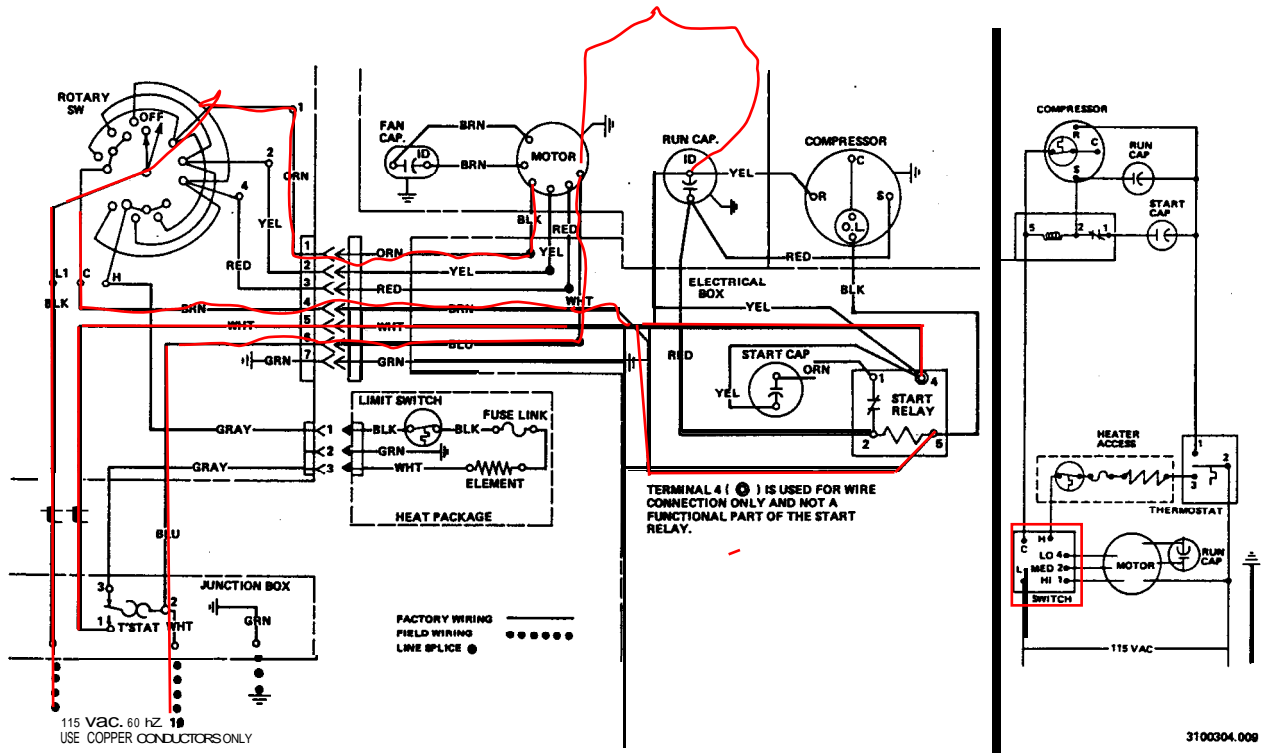
60 SERIES STANDARD MODELS with Selector Switch and Thermostat

600308.001 7,100 BTU Quick Start
600308.002 7,100 BTU Quick Start
600312.001 11,000 BTU Quick Start
600015.001 13,500 BTU Shur Start
600315.001 13,500 BTU Quick Start

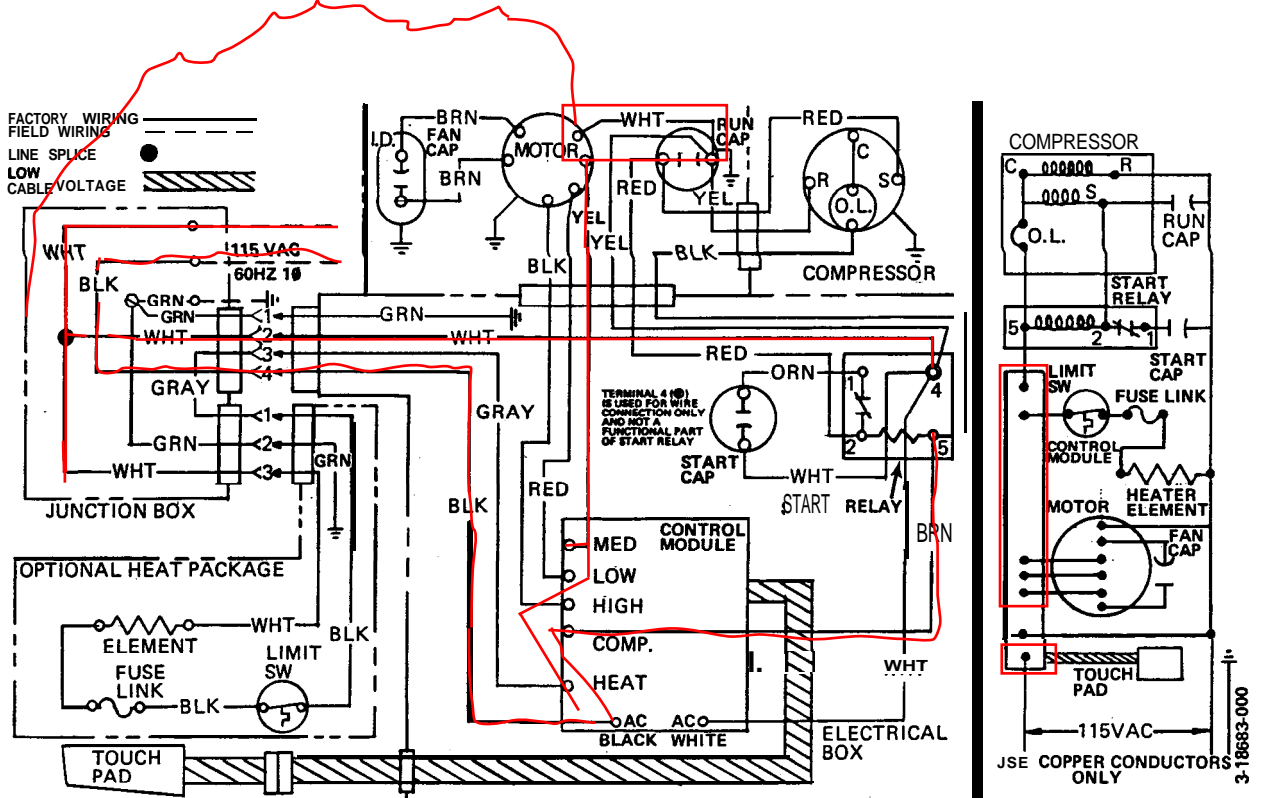
61 SERIES SOLID-STATE MODELS with Touch Control Pad

610012.001 11,000 BTU Shur Start
610015.001 13,500 BTU Shur Start

WIRING DIAGRAM FOR MODELS
 600308.001, .002 600315.001
 600312.001 600015.001



WIRING DIAGRAM FOR MODELS
 610012.001 610015.001



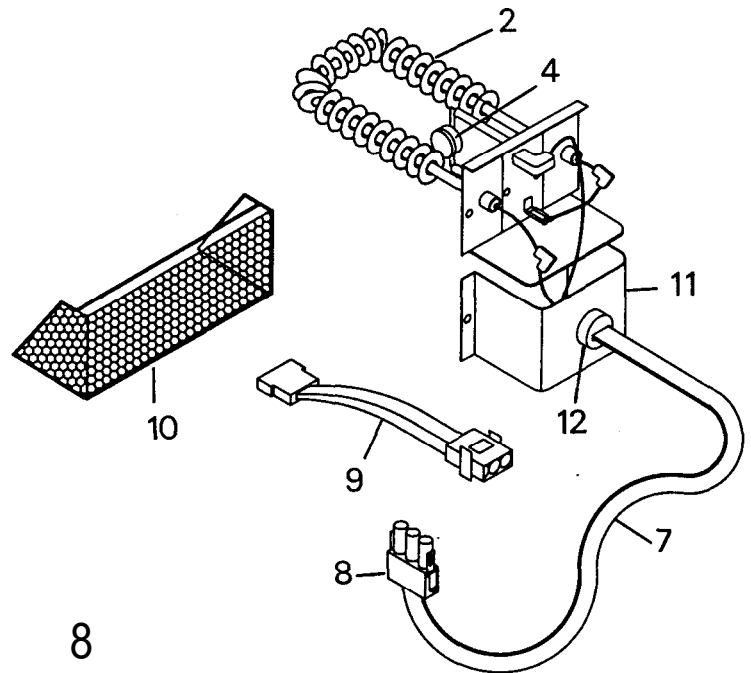
PARTS FOR ELECTRIC HEAT KIT (OPTIONAL)

Item No.	Description	318708.000	3101121.014
1	Heat shield	316344.000	
2	Heat element, Incl. Item #3	316467.000	3101124.000
3	Fuselink	315068.000	-----
4	Limit switch	313629.001	3101123.002
5	Mounting bracket (2 req.)	318343.000	
6	Grill	31837.000	
7	Conduit	316546.001	3100394.063
8	Plug	314470.000	314470.000
9	Wire harness asm.	-----	3101629.004
10	Heat guard		3101143.000
11	Electric box		3101125.007
12	Strain relief		302994.012

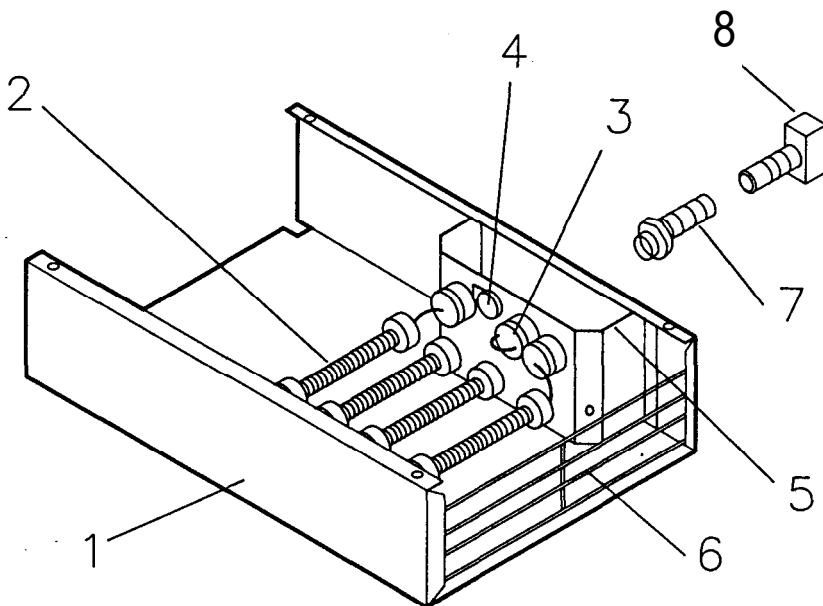
CAUTION WHEN ORDERING PARTS FOR
318706.000 HEAT KIT
3101121.014 HEAT KIT

Both heat kits are adaptable to all air conditioner models covered by this manual. Be sure to identify the heat kit by part number when ordering service parts.

Kit No. 3101121.014



Kit No. 318706.000



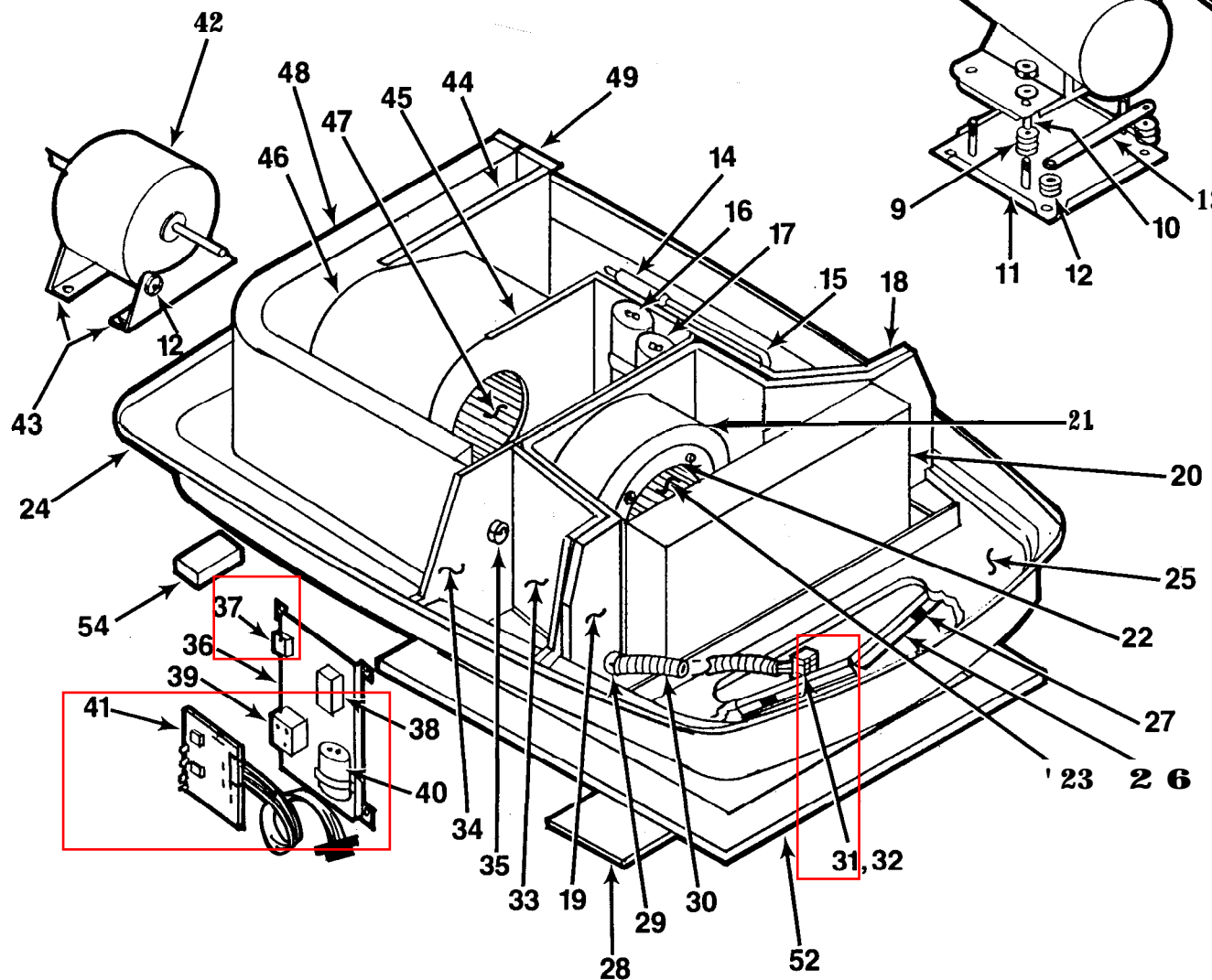
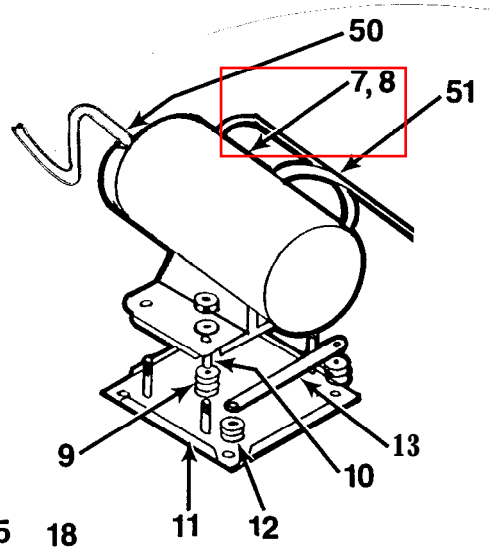
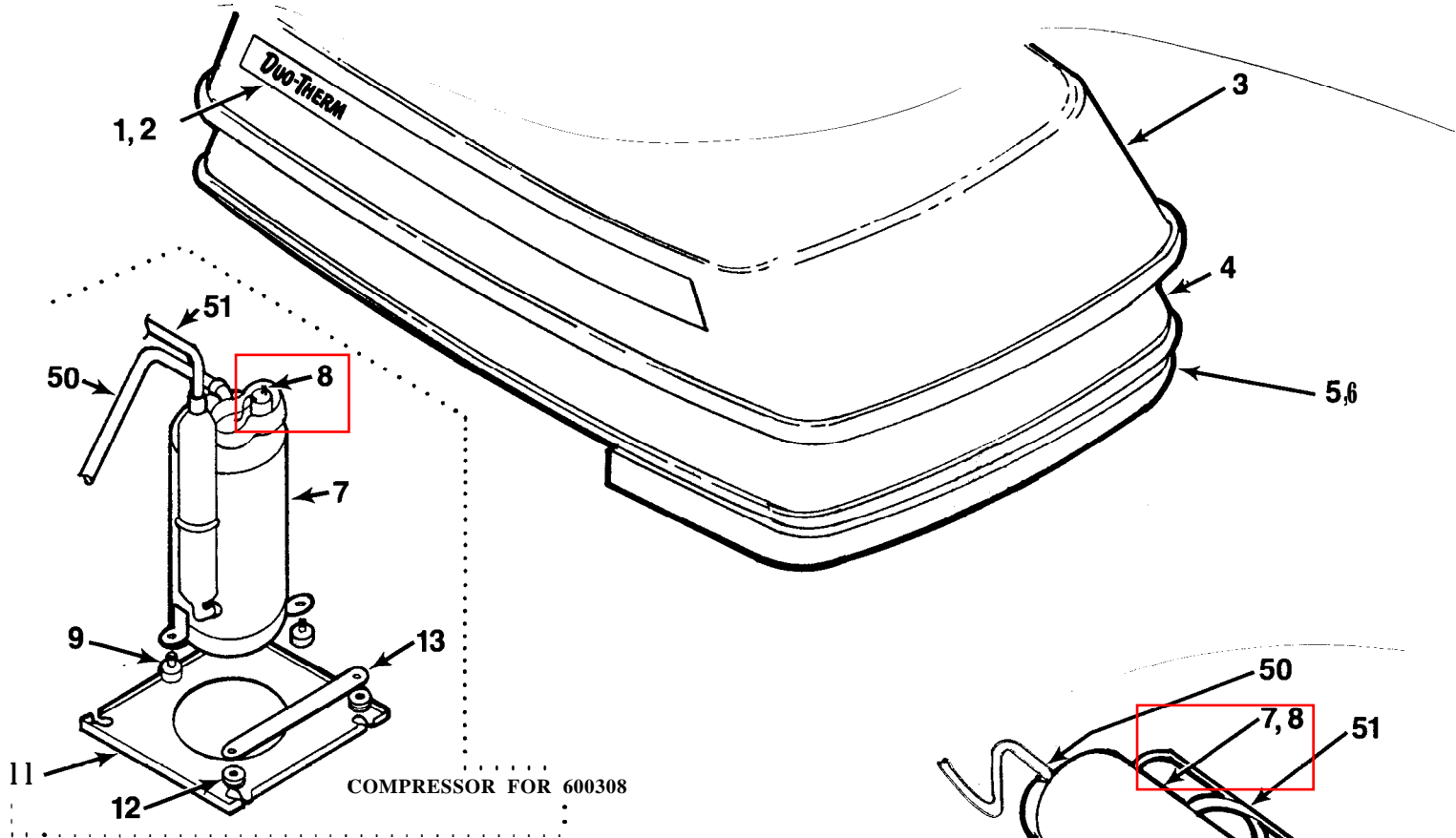
Item	Description	600308.001 600308.002	600312.001 61 0012.001	600015.001 600315.001 610015.001
1.	Shroud decal, right side (shown)	318503.002	318503.002	318503.002
2.	Shroud decal, left side (not shown)	318503.001	318503.001	318503.001
3.	Shroud, outer (less decals)	31 00252.000	3100252.000	3100252.000
4.	Shroud, inner metal	3100251 .010	3100251 .010	3100251 .010
5.	Evaporator cover, Styrofoam	3100268.006	3100268.006	3100268.006
6.	Insulation, blower housing top (not shown)	3100373.004	3100373.004	3100373.004
7.	Compressor (Incl. Rem 8)	1316443.000	1318670.000	1318435.000
8.	Overload protector (not shown)	317001 .003	317001 .002	317001 .001
9.	Mounting grommet, compressor	3100238.140	3100238.132	3100238.132
10.	Spacer	-----	3100239.056	3100239.056
11.	Base, compressor mounting	318916.000	3100296.007	3100296.007
12.	Mounting grommet	3100230.022	3100230.022	3100230.022
13.	Retainer strap	3100295.009	3100295.009	3100295.009
14.	Filter-drier	3100246.002	3100246.002	3100246.002
15.	Capillary tube (qty. req.)	3100245.343(1)	3100245.020(2)	3100245.343(2)
16.	Capacitor, compressor run	3100248.230	3100248.230	3100248.230
17.	Capacitor, blower	315910.022	3100248.222	31W248.222
18.	Bulkhead, compressor	3100255.011	3100255.011	3100255.011
19.	Insulation, bulkhead	3100266.000	3100266.000	3100266.000
20.	Evaporator coil	See Note 1	318667.000	3100272.008
21.	Blower housing	3100300.007	3100300.007	3100300.007
22.	Inlet ring	3100257.009	3100257.009	3100257.009
23.	Blower wheel, evaporator	318900.000	3100273.006	3100273.006
24.	Base pan (Incl. Item 25)	3100222.011	3100222.003	3100222.003
25.	Insulation, drain pan	3100267.008	3100267.008	3100267.008
26.	Bracket, less nuts	3100297.005	3100297.005	3100297.005
27.	Nut, with clip (2 req.)	3100280.019	3100280.019	3100280.019
28.	Insulation, blower housing bottom	3100294.002	3100294.002	3100294.002
29.	Conduit clamp (6000,6003 Only)	3100249.014	3100249.014	3100249.014
	Conduit clamp (61 W-Only)	-----	318682.001	318682.001
30.	Conduit (6000,6003 Only)	3100237.035	3100237.035	3100237.035
	Conduit (61 W-Only)	-----	3100293.020	3100293.020
31.	Wire set, with plug (6003 Only)	3100220.122	3100220.122	3100220.122
	Wire set, with plug (6100-Only)	-----	3100220.130	3100220.130
32.	Plug only, male, 9-pole (6003-Only)	314470.003	314470.003	314470.003
	Plug only, male, 4-pole (6100-Only)	-----	314470.005	314470.005
33.	Bulkhead, electrical box	3100253.008	3100253.008	3100253.008
34.	Bulkhead, evaporator	3100254.006	3100254.006	3100254.006
35.	Strain relief	302994.014	302994.014	302994.014
36.	Electrical panel	3100282.007	3100282.007	3100282.007
37.	Time delay relay (with Shur-Start option)	318566.000	318566.000	318566.000
38.	Compressor relay (with Shur-Start option)	318569.000	318569.000	318569.000
39.	Start relay	3100235.237	3100235.237	3100235.237
40.	Start capacitor	3100236.169	3100236.169	3100236.169
41.	Module board (6100-Only)	-----	318594.000	318594.000
42.	Blower motor (6000, 6003 Only)	318917.000	318492.000	318492.000
	Blower motor (6100-Only)	-----	318679.000	318879.000
43.	Motor mount (2 req.)	3100258.007	3100258.007	3100258.007
44.	Blower side, rear	3100261 .001	3100261 .001	3100261 .001
45.	Blower side, front	3100259.005	3100259.005	3100259.005
46.	Blower scroll	3100260.003	3100260.003	3100260.003
47.	Blower wheel, condenser	3100274.004	3100274.004	3100274.004
48.	Condenser coil	See Note 1	3100271.919	3100271.919
49.	Plate, condenser close-off	3100256.001	3100256.001	3100256.001
50.	Discharge line	318924.900	3100285.901	3100285.901
51.	Suction line	318925.900	3100284.904	3100284.904
52.	Gasket, 14' x 14' inside dim.	3100247.000	3100247.000	3100247.000
53.	Gasket, 1.5' x 16' (not shown)	3100286.016	3100286.016	3100286.016
54.	Gasket, 1.5" x 5'	3100286.024	3100286.024	3100286.024

NOTE 1: COILS FOR 600308.

600308.001	USE	318923.901	Condenser Coil
		318914.000	Evaporator Coil
		11.5 oz.	Refrigerant Charge
600308.002	USE	318922.901	Condenser Coil
		3100303.001	Evaporator Coil
		10.5 oz.	Refrigerant Charge

COMPRESSOR CROSS-REFERENCE	
1316443.000 Rotorex	K39 A 711DO-003
1318670.000 Rotorex	H48 A IIIAO-002
1318435.000 Rotorex	H48 A 131BO-002

DO NOT mismatch coils as refrigerant charge and unit performance will be affected.



INSTALLATION PARTS PACKAGE

	600308.001 ..002	600312.001	61 0012.001
	600015.001	600315.001	61 0015.001
1-29 Complete parts package asm	318542.002	318542.003	318542.001
1. Discharge duct, upper	3100262.009	310 0262.009	31 00262.009
2-18 Complete ceiling template	318735.001	318735.002	318736.000
2. Ceiling template	3100265.002	3100265.002	3100265.002
3. Insulation	31 00287.006	3100287.006	3100287.006
4. Discharge duct, lower	3100342.009	3100342.009	3100342.009
5. Conduit, with wires	3100302.003	3100302.003	3100302.003
6. Strain relief	302994.001	302994.001	302994.001
7. Junction box	3100275.001	3100275.001	3100275.001
8. Box cover	31 00278.005	3100278.005	3100278.005
9. Box back, LH	N/A	3100299.001	-----
10. Box back, RH	3100279.003	3100279.003	318704.000
11. Box front, LH	3100276.009	3100276.009	-----
12. Box front, RH	3100277.007	3100277.007	3100277.015
13. Plug, female, 3-pole	313653.000	314471.000	314471 .000
14. Plug, female, 4-pole	-----	-----	314471.004
15. Plug, female, 9-pole	318518.000	314471.003	-----
16. Selector Switch, 10 position	3100291.016	3100291 .016	-----
17. Thermostat, heat/cool	3100240.039	31 00240.039	-----
18. Wiring decal (not shown)	3100304.009	3100304.009	318683.000
19-24 Complete air box asm.	318523.002	318523.002	318523.001
19. Air box only	N/A	N/A	N/A
20. Louver (2 req.)	3100289.002	3100289.002	3100289.002
21. Air fitter (2 req.)	3100281.009	3100281.009	3100281.009
22. Return air grille (2 req.)	3100270.002	3100270.002	31 00270.002
23. Decal, left side	318525.000	318525.000	See Item 26
24. Decal, right side	318526.000	318526.000	318534.000
25. Touch control pad	-----	-----	318595.000
26. Mounting box, touch pad	-----	-----	318675.000
27-29 Small parts bag asm.	3100221 .013	3100221.013	3100221.013
27. Mounting bolt, 6" (3 req.)	3100375.025	3100375.025	3100375.025
28. Junction box cover	3100278.005	3100278.005	3100278.005
29. Knob for selector switch, T-stat	3100290.000	3100290.000	-----

(plus misc. screws)

N/A = Not Available

