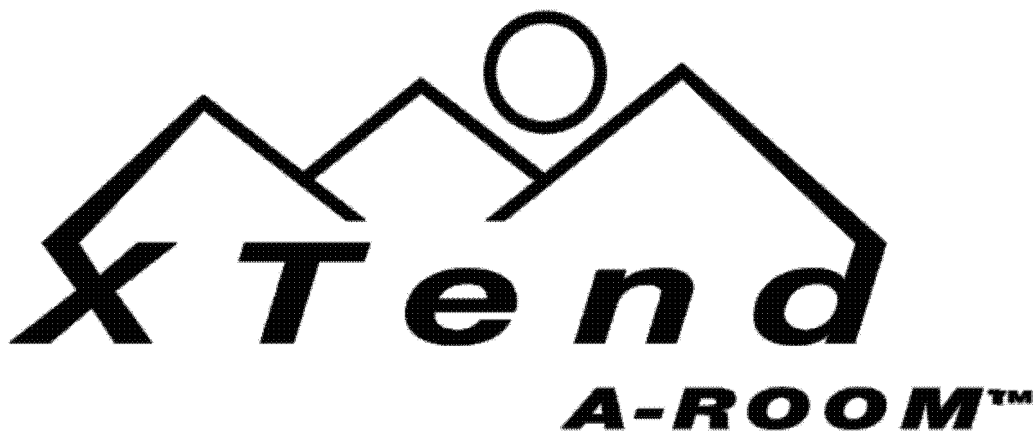




RECORD THIS UNIT INFORMATION  
FOR FUTURE REFERENCE:  
Model Number \_\_\_\_\_  
Serial Number \_\_\_\_\_  
Date Purchased \_\_\_\_\_



**USA**  
SERVICE OFFICE  
Dometic Corporation  
1120 North Main Street  
Elkhart, IN 46514

**CANADA**  
Dometic Corporation  
46 Zatonski, Unit 3  
Brantford, ON N3T 5LB  
CANADA

**SERVICE CENTER &  
DEALER LOCATIONS**  
Please Visit:  
[www.eDometic.com](http://www.eDometic.com)

**! WARNING**

This manual must be read and understood before installation, adjustment, service, or maintenance is performed. Modification of this product can be extremely hazardous and could result in personal injury or property damage.

**! AVERTISSEMENT**

Lire et comprendre ce manuel avant de procéder à l'installation, à des réglages, de l'entretien ou des réparations. Toute modification de cet appareil peut être extrêmement dangereuse et entraîner des blessures ou dommages matériels.

**INSTALLATION & OPERATION  
SUPPLEMENT**

**Model**  
**954086.000**  
**954091.000**  
Patent Pending

**REVISION A**  
Form No. 3309583.049 10/16  
(French 3309584.047\_A)  
©2016 Dometic Corporation  
LaGrange, IN 46761

**Important:** This Supplement must stay with unit.  
Owner read carefully.

## SAFETY INSTRUCTIONS

This manual has safety information and instructions to help users eliminate or reduce the risk of accidents and injuries.

### RECOGNIZE SAFETY INFORMATION



This is the safety-alert symbol. When you see this symbol in this manual, be alert to the potential for personal injury.

Follow recommended precautions and safe operating instructions.

### UNDERSTAND SIGNAL WORDS

A signal word, **WARNING** OR **CAUTION** is used with the safety-alert symbol. They give the level of risk for potential injury.

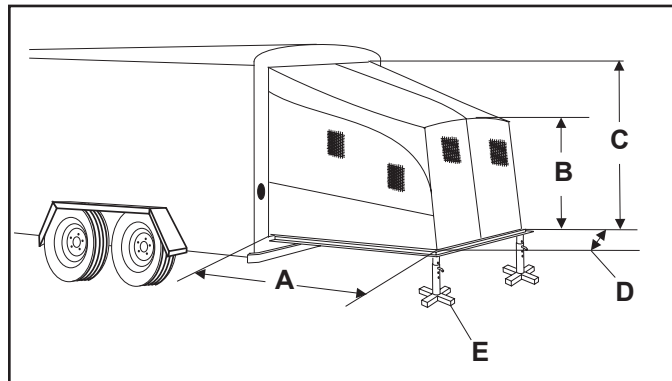
**WARNING** indicates a potentially hazardous situation which, if not avoided, could result in death or serious injury.

**CAUTION** indicates a potentially hazardous situation which, if not avoided, may result in minor or moderate injury.

**CAUTION** used without the safety alert symbol indicates, a potentially hazardous situation which, if not avoided, may result in property damage.

Read and follow all safety information and instructions.

## SPECIFICATIONS



| Model                        | 954086.000<br>Min./Max. | 954091.000<br>Min./Max. |
|------------------------------|-------------------------|-------------------------|
| A = Length                   | 81-1/2"                 | 88-1/2"                 |
| B = Front (Height)           | 75"                     | 75"                     |
| C = Rear (Height)            | 79-1/2"/86-1/2"         | 86-1/2"/96-1/2"         |
| D = Expandable<br>Rear Width | 86"/91"                 | 91"/99"                 |
| E = Ramp Stand<br>*Range     | 16"/28"                 | 16"/28"                 |
| Capacity                     | 1,200 lbs.              | 1,200 lbs.              |

\* Ramp stand adjusts with one inch increments.

## GENERAL INSTRUCTIONS

### **⚠ WARNING**

These instructions must be read and understood before installation of this kit. Modification of this product can be extremely hazardous and could result in personal injury and/or property damage.

The X Tend A-Room™ is designed to be installed around the loading ramp opening of a cargo type trailer, allowing users to enjoy the extra living space.

Product features and specifications as described or illustrated are subject to change without notice. Installation methods not described in this manual must have written approval from Dometic Corporation.

**Important:** Read the entire Installation and Operating Instructions carefully before starting the installation.

#### Contents:

- |                         |                        |
|-------------------------|------------------------|
| (1) Instructions        | (4) Snap Fasteners     |
| (1) Roll of Hook Tape   | (1) Fabric Assembly.   |
| (1) Oxford Storage Bag  | (4) Ramp Floor J-Hooks |
| (1) Ctr Roof Pole Assm. | (1) Front Pole Assm.   |
| (2) Ramp Stand          | (1) Rear Pole Assm.    |
| (1) Pole Storage Bag    | (4) #8 x 3/4" Screws   |
|                         | (1) Tread Plate Set    |

#### Tools Required:

Power Drill/Screwdriver

## INSTALLATION

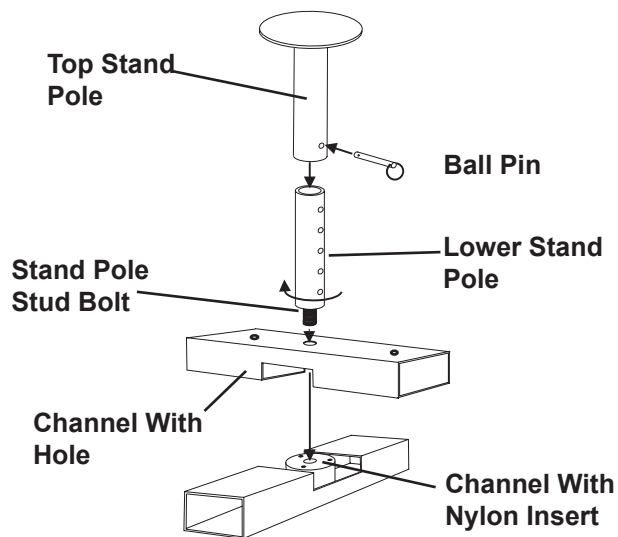
Park the trailer on flat and level surface for the initial installation. This will insure that the X Tend A-Room™ will be straight and square with the trailer.

### A. Ramp Stand Assembly

- Find the channel with a threaded nylon insert . Place the threaded nylon insert with the notch up.
- Place the second channel with a hole across the first channel with the hole on top forming the letter "X".
- The stand pole with the stud bolt is screwed into the nylon insert through the channel with the hole. This should be tightened so there is no movement.
- The top stand pole slides on the bottom assembly and is locked in place with the ball pin. See Fig. 1.

Note: Each ramp stand has a rubber coating on the top plate to prevent scratching of the ramp. There is also a tread plate set included to protect ramp's surface where ramp rests on ramp stands.

FIG. 1



### B. Ramp Preparation

- Place ramp stands at the approximate positions for each corner of the ramp. If terrain is not level, add leveling blocks as necessary to even out weight and level to ramp stands.
- Pull the ball pin and raise/lower each ramp stand to the approximate position where the ramp will be approximately level. Align stand extension with the closest hole in the base and replace the stand pin.
- Lower the ramp and move the ramp stands in position under ramp's door frame corners, where ramp is strongest. Mark this spot. Screw tread plates, one on each side, onto the ramp where ramp stand location had been marked. Then place stands under door frame corners where tread plates are located. Tread plates are provided to prevent scratching of ramp surface with ramp stand tops.
- To reduce the possibility of ramp stands accidentally getting kicked over insert tent stakes through each of the 2 holes on both ramp stands.

### **CAUTION**

Failure to place stands under ramp's door frame could cause damage to door's outer fiberglass surface when ramp is placed under load.

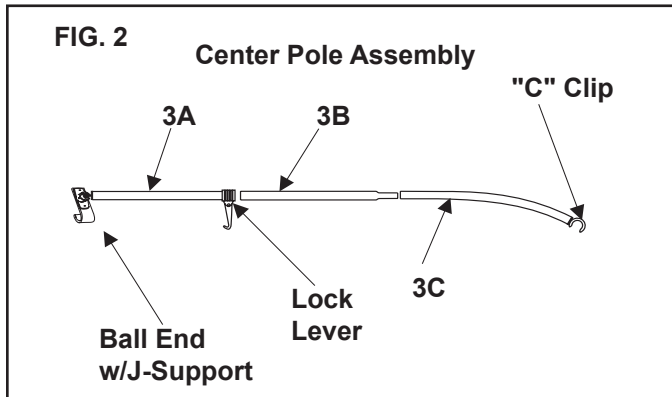
### C. Description Of Pole Assemblies

There are 3 pole assemblies:

- Center Roof Pole Assembly
- Rear/Frame Pole Assembly
- Front Pole Assembly

Some pole assemblies are shock corded; all are numbered with stickers to identify matching assembly poles and all are painted to make it easier to identify pole assemblies: Center roof pole assembly is white, front pole assembly is white, and rear/frame pole assembly is black. See Figs. 2, 3 & 4.

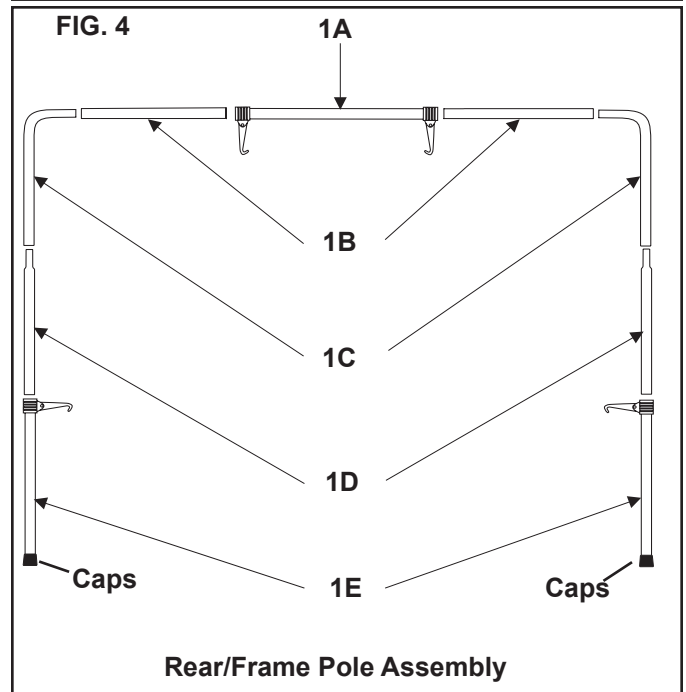
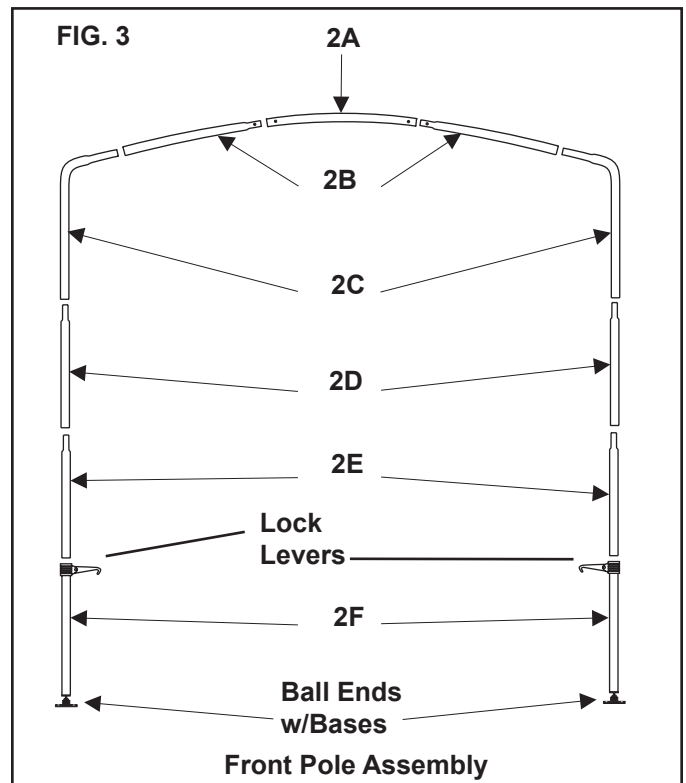
1. Extend all 3 pole assemblies to their longest length.
  - a. Center Pole Assembly  
 The center pole assembly is made of 3 pieces and rest along the expansion zipper on the center of the roof of the inside of the X Tend A-Room™ and parallel with the zipper. The pole has a "C" clip on one end and a J-support on opposite end. See Fig. 2.



- b. Front pole assembly  
 The front pole contains 11 pieces. When assembled, the horizontal poles will form an arch between the vertical poles. The vertical poles have a ball which is inserted into an end ball base and attached to the ramp floor. See Fig. 3.  
 Extend the vertical telescoping poles to their longest length. Lock in place with the lock lever. See Fig. 3.
  - c. Rear/Frame Pole Assembly  
 The rear/frame pole when assembled, will form a square. The vertical poles will be capped on the bottom end with rubber caps to prevent slipping and will be placed on the trailer floor. See Fig. 4.

**D. X Tend A-Room™ Assembly**

1. Spread the X Tend A-Room™ fabric on the cargo ramp. The zippers should be on the inside and the open end of the room towards the trailer opening.
2. Locate the fabric sleeves on each side of the open end on the rear of fabric assembly. Assemble the vertical side poles 1C, 1D and 1E of the rear pole assembly. Place the lock levers in the down/locked position. Feed the vertical side pole caps down through the two side panel sleeves, starting at the top panel.
3. Assemble the horizontal poles (1A & 1B) of the rear pole assembly. Place the lock levers in the down position and slide them through the 4 sleeves across the roof panel of the fabric. See Fig. 4.
4. Insert the horizontal pole assembly into the vertical side poles to form the rear frame.

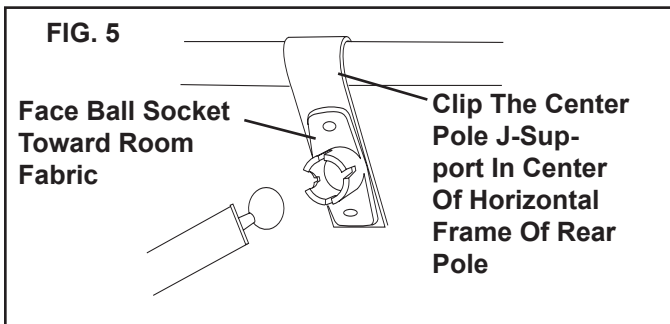


5. The fabric and rear pole assembly are moved inside the trailer door opening. Extend the horizontal frame of the rear pole assembly equally until they touch the trailer side walls. Place the levers in the locked position.

Note: The width of the room can be increased by unzipping the dart (extra fabric) in the center of the roof fabric.

6. Raise each vertical side pole until the horizontal pole touches the trailer ceiling. Place the levers in the locked position.
7. The rear pole assembly will hold the X Tend A-Room™ in place inside the trailer.

8. Assemble the front pole assembly inside the X Tend A-Room™.
9. Grasp the center of the front pole assembly arch, place it against the roof fabric; and walk towards the end of the ramp. Place the arch at the front top stitch line. Wrap the 5 hook/loop belts around the arch poles to hold place.
10. Keep ball ends of side poles at ramp opening/hinge and extend the side poles as much as possible without lifting the X Tend A-Room™ off the ramp. The side poles should be at an angle.
11. Clip the center pole J-support in the center of the horizontal frame on the rear frame pole assembly. The ball socket must be facing toward room. See Fig. 5.
12. Assemble the center rafter roof pole and place the ball end into the socket on the Center pole support. See Fig. 5.



13. Unlock the lever and pull the center rafter pole until C-Clip can be snapped onto the center of the arch of the front pole assembly. Stretch the roof fabric taut and lock lever.

Note: The center rafter pole will pop out of the ball socket if too much tension is added.

14. A fabric flap 3" wide with loop tape sewn in, surrounds the door opening of the X-Tend A-Room™. The hook tape must be placed where it will stretch the fabric and seal around the door frame. Place this fabric flap against the walls and ceiling and mark the location. Peel the backing off the hook tape (approximately 12" at a time), and press it in place on the walls and ceiling.

Note: To ensure adhesion of the tape to the walls and ceiling, the surfaces must be clean and dry.

15. Locate a place for the ball end bases on the ramp surface, where they will be out of the way; but allow the ramp to close. The "OPEN" cutout should face the direction of the ramp end to allow for the pole rotation to different angles.
16. Attach the two ball end bases, one on each side of the ramp with 2 #8 x 3/4" screws. Snap the front pole assembly ball ends into the bases. Loosen the lock and extend each side equally until the fabric is taut.

17. The fabric is held against the ramp with an elastic cord stretched in a sleeve sewn into the bottom hem of the fabric assembly. At the ends of the elastic cord is a rubber coated hook that is to be attached to the ramp.  
If the elastic cord hook is not large enough to fit on the edge of the ramp, four large rubber coated J-hooks are provided. Place the J-hook on the ramp edge and the elastic cord hook is secured in the J-hook.
18. Pull the front bottom corners taut and mark the location where the eyelet grommet makes contact to the ramp. This is repeated for both sides. Drill 1/8" pilot hole (9/64" in metal) and install a snap fastener on each side.
19. The corners of the roof fabric has web belts with buckles. Fasten the web belt to the corners of the rear/frame pole assembly and stretch the fabric tight to reduce water pooling.
20. Water Bags/Weights 3105851.004 (available at your Dometic Dealer) can be added along the bottom for added bug protection.

## E. Operating Tips

1. Privacy panels can be unzipped and rolled up to allow air circulation.
2. The front panel can be unzipped and rolled up; however, this will open the end of the room and the possible danger of someone stepping off the ramp.
3. Storage pockets are located on both sides of the X Tend A-Room™ for personal items.

**Important: If trailer is equipped with a bed, DO NOT ROLL BED DOWN if room poles are in place.**

## F. Room Storage

Note: If room is put away when conditions are wet, it should be set up and allowed to dry as soon as possible to prevent mold and mildew.

1. Loosen and unfasten buckle straps at rear top corners of the X Tend A-Room™.
2. Unfasten hooks on the elastic cord and snap fasteners at bottom of room front corners.
3. Remove center roof pole assembly by un-clipping the C-clip from arched front pole assembly. Remove the Center pole support with ball socket from rear/frame pole assembly. Disassemble center pole and place in pole storage bag.
4. Carefully pull the ball ends out of the ball end bases. Loosen the lock levers and shorten the side poles to the shortest length and lock the levers. The front fabric will start to collapse. Remove the five hook/loop straps from the arch and the pole assembly is free and the fabric will fall to the ramp. Disassemble front pole and place in pole storage bag.
5. Loosen the lock levers and lower the rear/frame pole assembly to its shortest height. Place levers in the lock position. The entire X Tend A-Room™ will be completely on the ramp. Loosen the locks on the horizontal pole and collapse to the shortest length. Remove vertical side pole from the horizontal pole and slide it out of the sleeves on the fabric. Repeat for other side. Do the same with the horizontal pole and take apart the entire rear/frame pole to be placed into the pole storage bag. Tie the pole storage bag closed.

6. The room is folded by bringing the sides into the middle. Fold the each side again to the middle until the fabric is the width of the pole storage bag.

### **WARNING**

**Personal injury may result from falling or stepping off the end of the cargo ramp when the room is installed.**

7. Roll the fabric assembly tightly around the poles in the pole storage bag squeezing out the air. Insert the fabric and poles into the X Tend A-Room™ storage bag. Store in a dry place.
8. Disassemble ramp stands in reverse of assembly (see section "A" on page 3), and place in the storage bag.

### **WARNING**

**TO REDUCE THE RISK OF DEATH, PERSONAL INJURY, FIRE OR DAMAGE:**

1. The stands support the X Tend A-Room™ and ramp. The stands are designed to support a total of 1,200 pounds including persons, equipment and ramp.
2. Do not use grills, hibachis, camp stove or gas burning lamps inside the X Tend A-Room™.
3. Never operate generators, motorcycles, any internal combustion engines inside the X Tend A-Room™.
4. Close attention is necessary when used by or near children. Do not allow children or adults to lean against the sides or front of the X Tend A-Room™.
5. Do not suspend electrical lights from rafter poles or allow them to come in contact with the X Tend A-Room™ fabric.
6. Do not modify or change the installation of this X Tend A-Room™.
7. Follow all trailer manufacturers instructions regarding ramp use and limitations.
8. Use only as described in this manual.



## LIMITED ONE (1) YEAR WARRANTY

### THE SELLER NAMED BELOW MAKES THE FOLLOWING WARRANTY WITH RESPECT TO THE DOMETIC PRODUCT:

1. This Warranty is made only to the first purchaser (hereinafter referred to as the "Original Purchaser") who acquires the product for his own use and is installed and operated within the continental United States and Canada.
2. This Warranty will be in effect for one (1) year from the date of purchase by the original purchaser. It is suggested that the original purchaser retain a copy of the dated bill of sale as evidence of the date of purchase.
3. This Warranty covers only specified parts which shall be free from defects in material and workmanship under normal use. This warranty does NOT cover conditions unrelated to the material and workmanship of the product. Such unrelated conditions include, but are not limited to: (a) damage not reported within seven (7) days of ownership; (b) failure or damage caused by storms, rain, water pooling, or any acts of God; (c) faulty installation and any damage resulting from such; (d) the need for normal maintenance and any damage resulting from the failure to provide such maintenance; (e) failure to follow Sellers instructions for use of this product; (f) any accident to or misuse of any part of this product and any alteration by anyone other than the Seller or its authorized representative; (g) damage or failure caused by installation of accessories not manufactured and marketed by the Seller; and (h) normal wear and product abuse.
4. The specified parts covered by this warranty, where applicable, are as follows: (a) Roller tube against rust, corrosion and extrusion defects; (b) Fabric free from quality defects (normal wear is not covered); (c) Screen assemblies free from quality defects (normal wear is not covered); (d) Torsion assemblies, including motor-driven assemblies, against extrusion defects, electrical faults, or breakage; and (d) Hardware against extrusion defects.
5. In order to obtain the benefits of this warranty, you should return the product which you find defective to the Seller named below or to a Dometic Authorized Service Center during the period that this warranty is in effect. The original owner is responsible for all charges incurred in delivery of the product to the Seller, or Dometic Authorized Service Center, and in pick up after the warranty service has been completed. To obtain the location of the nearest Authorized Service Center, please call 1-800-544-4881. In Canada, call 1-519-720-9578.
6. Any item returned in the manner described in paragraph 5 will be examined by the Seller or the Authorized Dometic Service Center. If it is found that the returned item was defective in material and workmanship, the Seller or the Authorized Dometic Service Center will repair the product per the terms of this one (1) year limited warranty without charge for material or labor during the first year of ownership by the original purchaser. **CONFIRM THE SERVICE AGENCY IS AN AUTHORIZED DOMETIC SERVICE CENTER. DO NOT PAY THE SERVICE AGENCY FOR WARRANTY REPAIRS. SUCH PAYMENTS WILL NOT BE REIMBURSED.**
7. Dometic Corporation will pay freight on replacement parts during the first ninety (90) days of ownership by the original purchaser.
8. The Seller does not authorize any person or company to create any warranty obligations or liability on their behalf. This warranty is not extended by the length of time which you are deprived of the use of the product. Repairs and replacement parts provided under the terms of this warranty shall carry only the non-expired portion of this warranty.
9. In no event shall either Seller be liable for incidental or consequential damages. This includes any damage to another product or products resulting from such a defect. Some states do not allow the exclusion or limitation of incidental or consequential damages, so the above limitations may not apply.
10. Any implied warranty, including the implied warranty of merchantability and fitness for any purpose, is limited to the duration of this limited warranty. Some states do not allow limitations on how long an implied warranty can last, so the above limitation may not apply.
11. **THIS WARRANTY GIVES YOU SPECIFIC LEGAL RIGHTS, YOU MAY ALSO HAVE OTHER RIGHTS WHICH VARY FROM STATE TO STATE.** No action to enforce this warranty shall be commenced later than ninety (90) days after the expiration of the warranty period. Claims must be submitted in writing to the Dometic Warranty Department for arbitration.
12. All products (except those specifically built for commercial use) are warranted only when installed on vehicles built to R.V.I.A. and C.R.V.A., Z-240 Standards.
13. The Seller reserves the right to change the design of any product without notice and with no obligation to make corresponding changes in products previously manufactured.

**DOMETIC CORPORATION**  
Warranty Department  
1120 North Main Street  
Elkhart, Indiana 46514