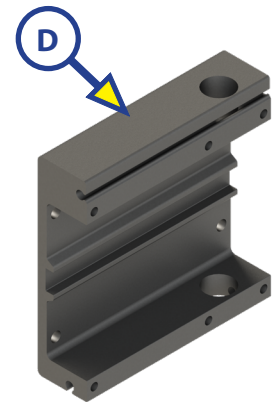
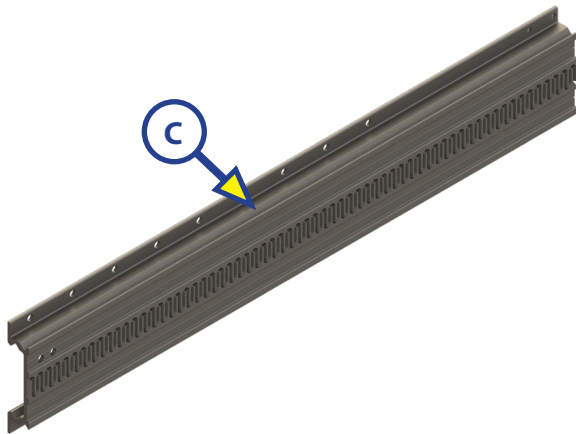
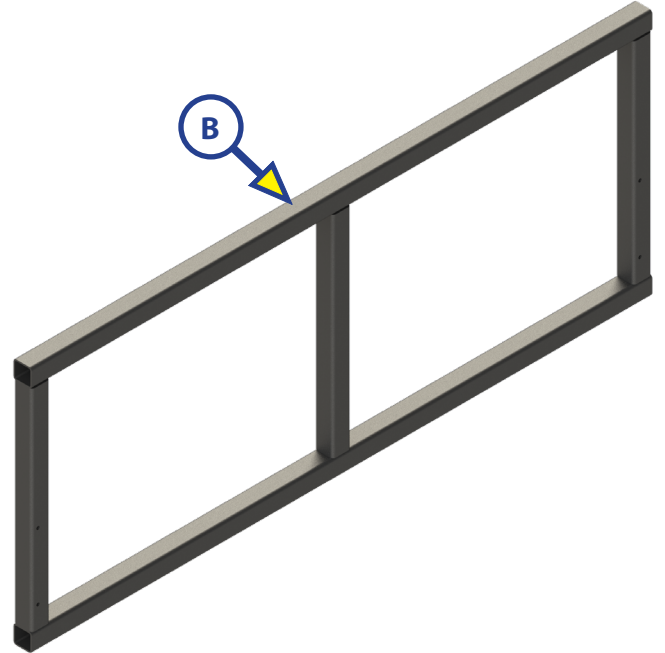


# SCHWINTEK BED TILT COMPONENTS

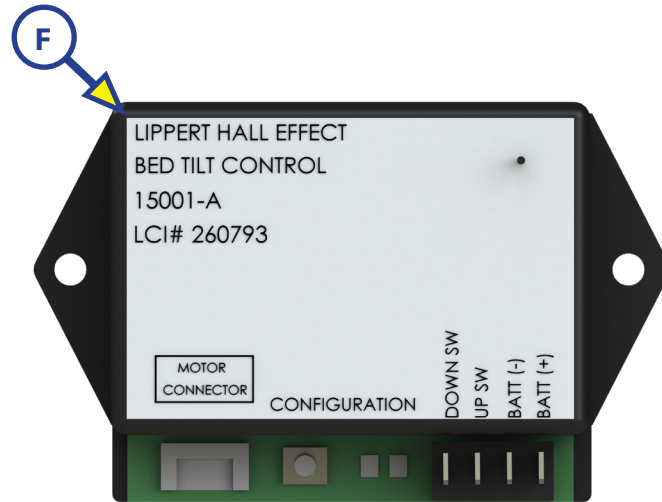
## POWER AND MOTION

**NOTE:** Part numbers are shown for identification purposes only. Not all parts are available for individual sale. All parts with a link to the Lippert Store can be purchased.



Callout	Part #	Description
A	287196	Head Assembly w/ Motor, Racks, Support Frame
	292422	Head Assembly w/o Support Frame
	295235	Head Assembly w/o Support Frame and Brackets
	298119	Head Assembly w/o Support Frame 25 1/2"
	333405	Head Assembly w/o Support Frame Queen
B	287021	Head Assembly Support Frame
C	287039	Gear Rack 25 1/2"
D	287083	Left Bearing Block
	287084	Right Bearing Block

## POWER AND MOTION



Callout	Part #	Description
E	<a href="#">325979</a>	Motor
F	<a href="#">260793</a>	Controller
G	257916	Controller Harness 10'
	257917	Controller Harness 20' ( <b>OBSOLETE</b> )
H	<a href="#">199082</a>	Switch