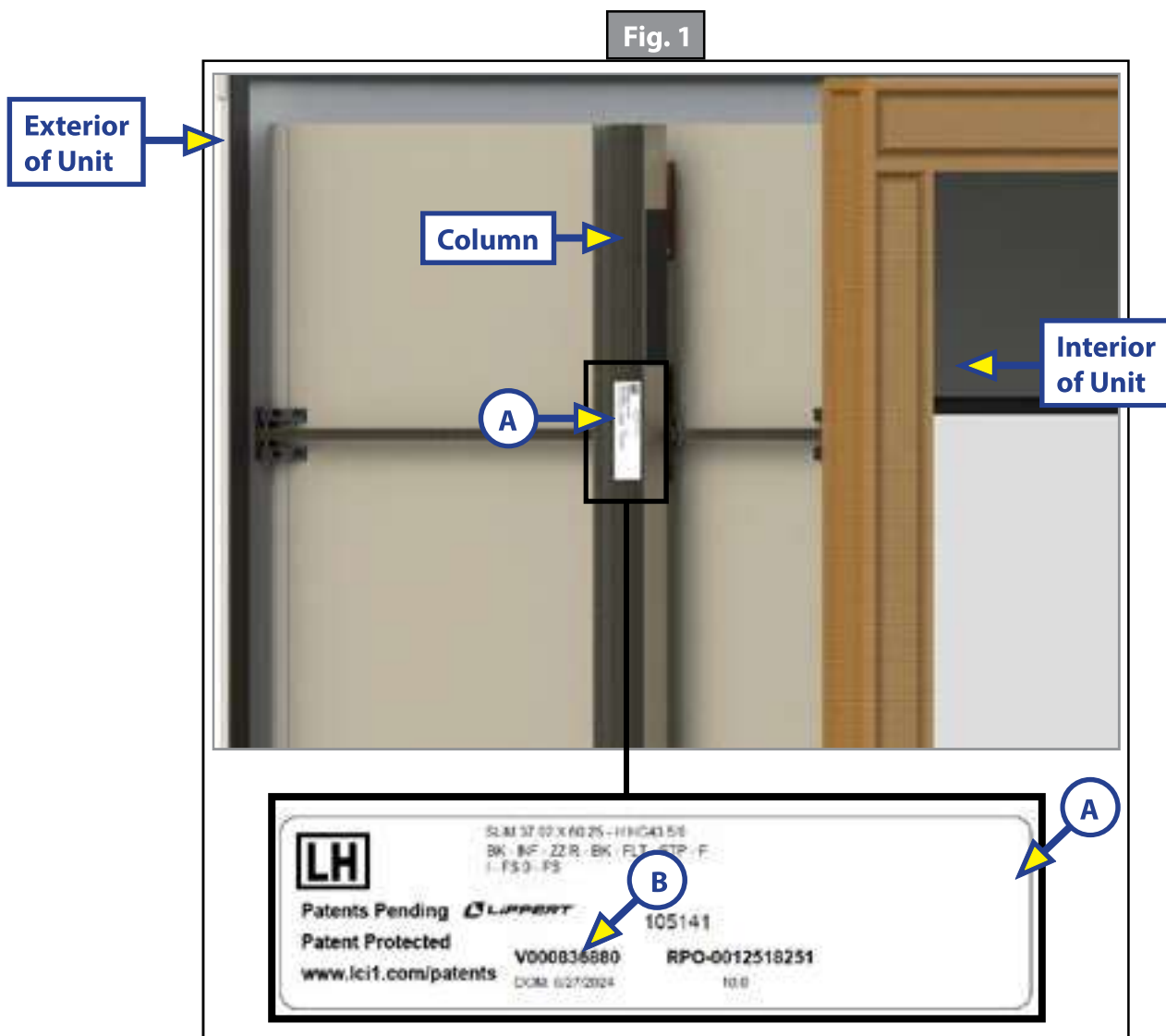


NOTE: Part numbers are shown for identification purposes only. Not all parts are available for individual sale. All parts with a link to the Lippert Store can be purchased.

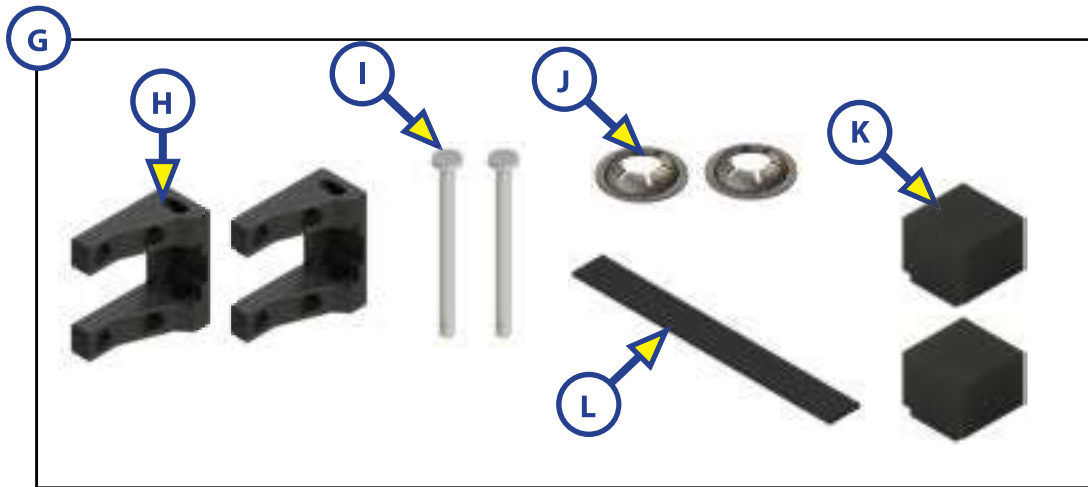
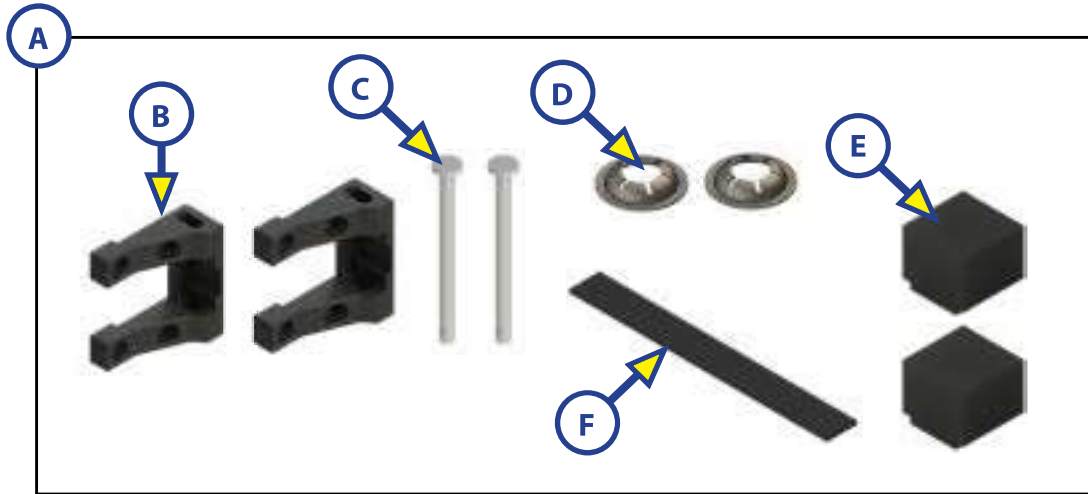
Variant Code Information

The variant code on Lippert SlimRack® products can assist customers in obtaining additional information about the product and its components. Part numbers marked with an asterisk are used for reference only and must be replaced utilizing information obtained through the variant code. The variant code (Fig. 1B) is located on the variant sticker (Fig. 1A) attached to the column of the system (Fig. 1). Contact Lippert Customer Care with this variant number for assistance in correct replacement part identification.



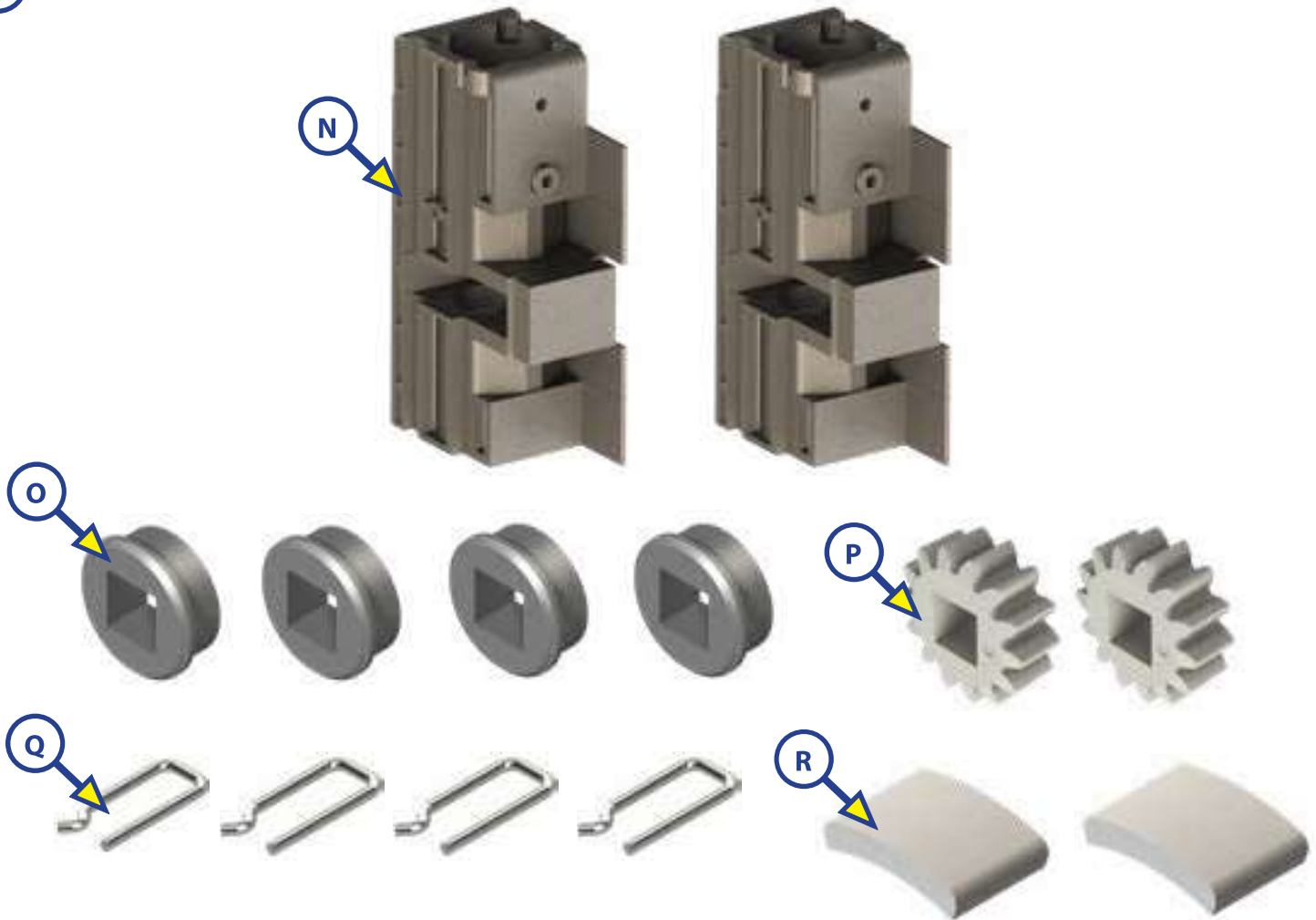
SLIMRACK® SLIDE-OUT COMPONENTS

SLIDE-OUTS



Callout	Part #	Description
Kit-A	2023033860	End Bracket Notched (Service Kit I)
B	369731	End bracket (Notched)
C	368977	Grooved pin
D	368947	Push nut
E	366740	Foam bumper
F	369743	Foam seal tape 12"
Kit-G	2023033861	End Bracket Flat (Service Kit II)
H	369727	End bracket (Flat)
I	368977	Grooved pin
J	368947	Push nut
K	366740	Foam bumper
L	369743	Foam seal tape 12"

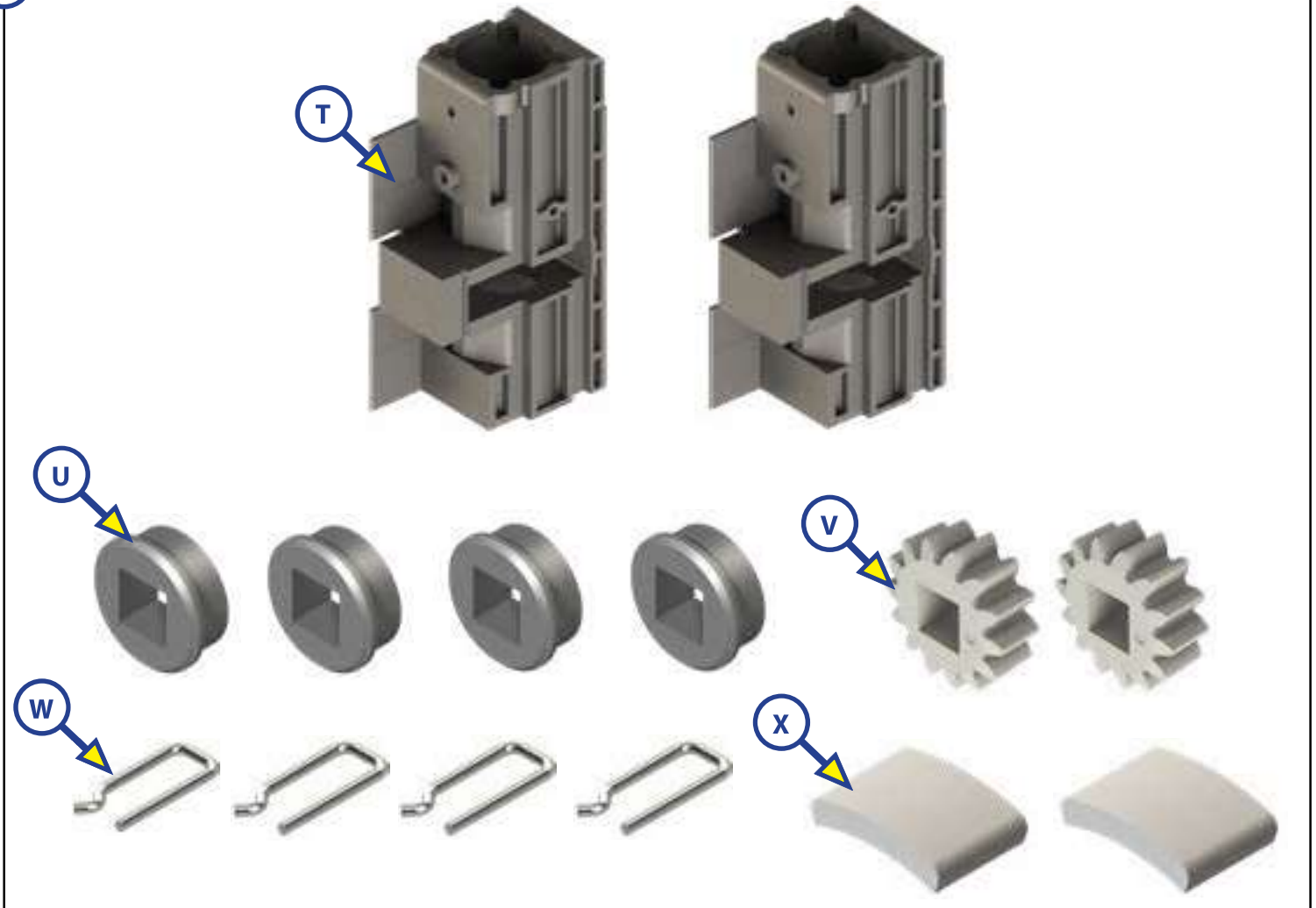
M



Callout	Part #	Description
Kit-M	<u>2023033863</u>	SlimRack Drive Block Right Side (Service Kit III)
N	366644	Drive block *(Right side)
O	369623	Bearing flange
P	366728	Spur gear
Q	366764	Spring clip
R	366739	Felt pad

NOTE: *Drive block orientation is determined by standing outside of the unit facing the slide-out room.

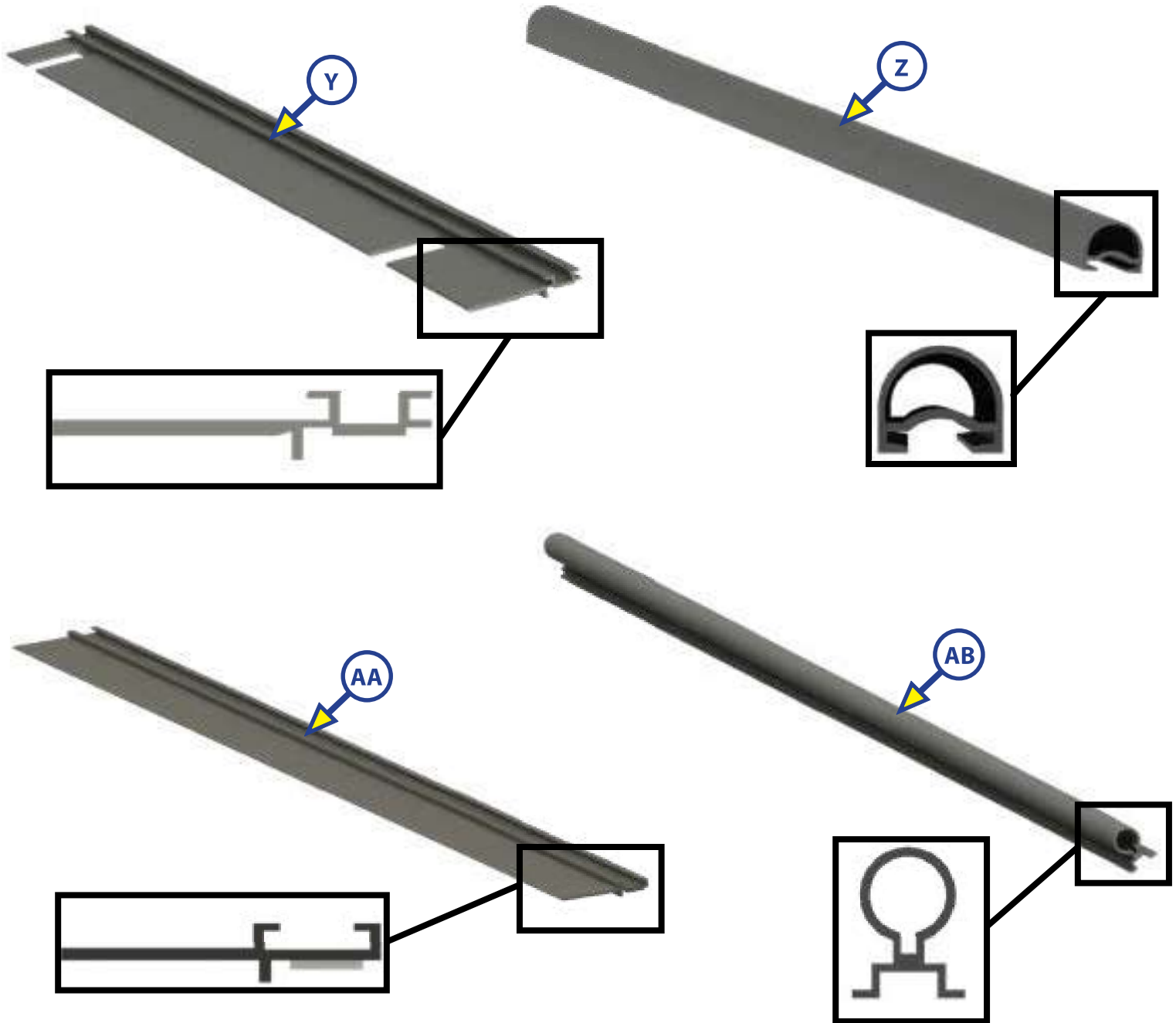
S



Callout	Part #	Description
Kit-S	2023033864	SlimRack Drive Block Left Side (Service Kit IV)
T	366645	Drive block *(Left side)
U	369623	Bearing flange
V	366728	Spur gear
W	366764	Spring clip
X	366739	Felt pad

NOTE: *Drive block orientation is determined by standing outside of the unit facing the slide-out room.

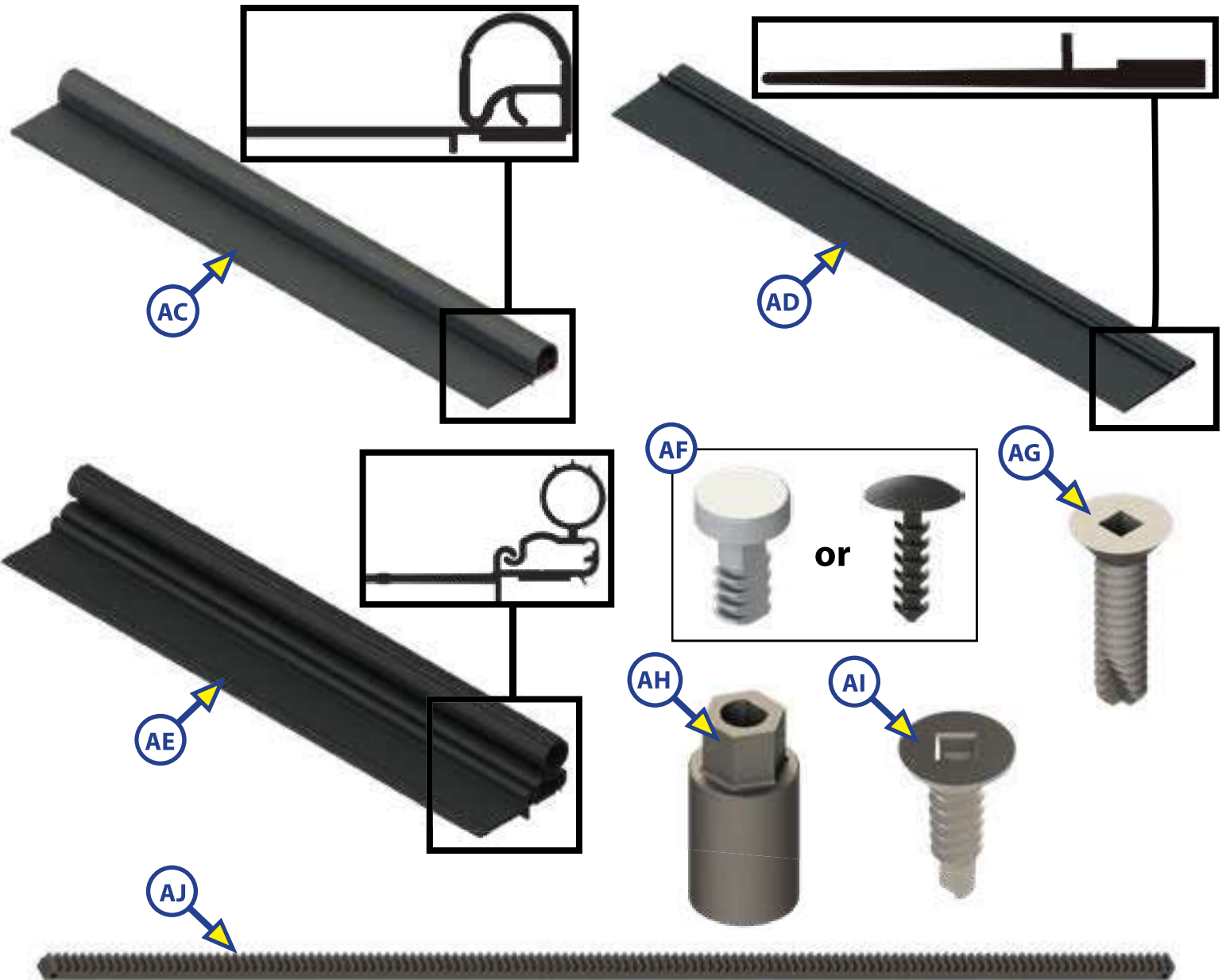
SLIDE-OUTS



Callout	Part #	Description
Y	366706	EK wipe seal
Z	260406	EK bulb seal
AA	366737	KE wipe seal
AB	366736	KE bulb seal

SLIMRACK® SLIDE-OUT COMPONENTS

SLIDE-OUTS



Callout	Part #	Description
AC	2022112577	1 pc. Jaeger
AD	366729	Flat seal
AE	387821	1 pc. KE
AF	368945	X-Tree Rivet (OBSOLETE, use 2024113193)
	2024113193	X-Tree Rivet
AG	406687	Screw #12 - 14 x 3/4"
AH	368949	Coupler
AI	2025019840	Screw #10 - 16 x 3/4"
AJ	*368990	Gear Rack

NOTE: *Part must be replaced using variant code.

SLIMRACK® SLIDE-OUT COMPONENTS

SLIDE-OUTS

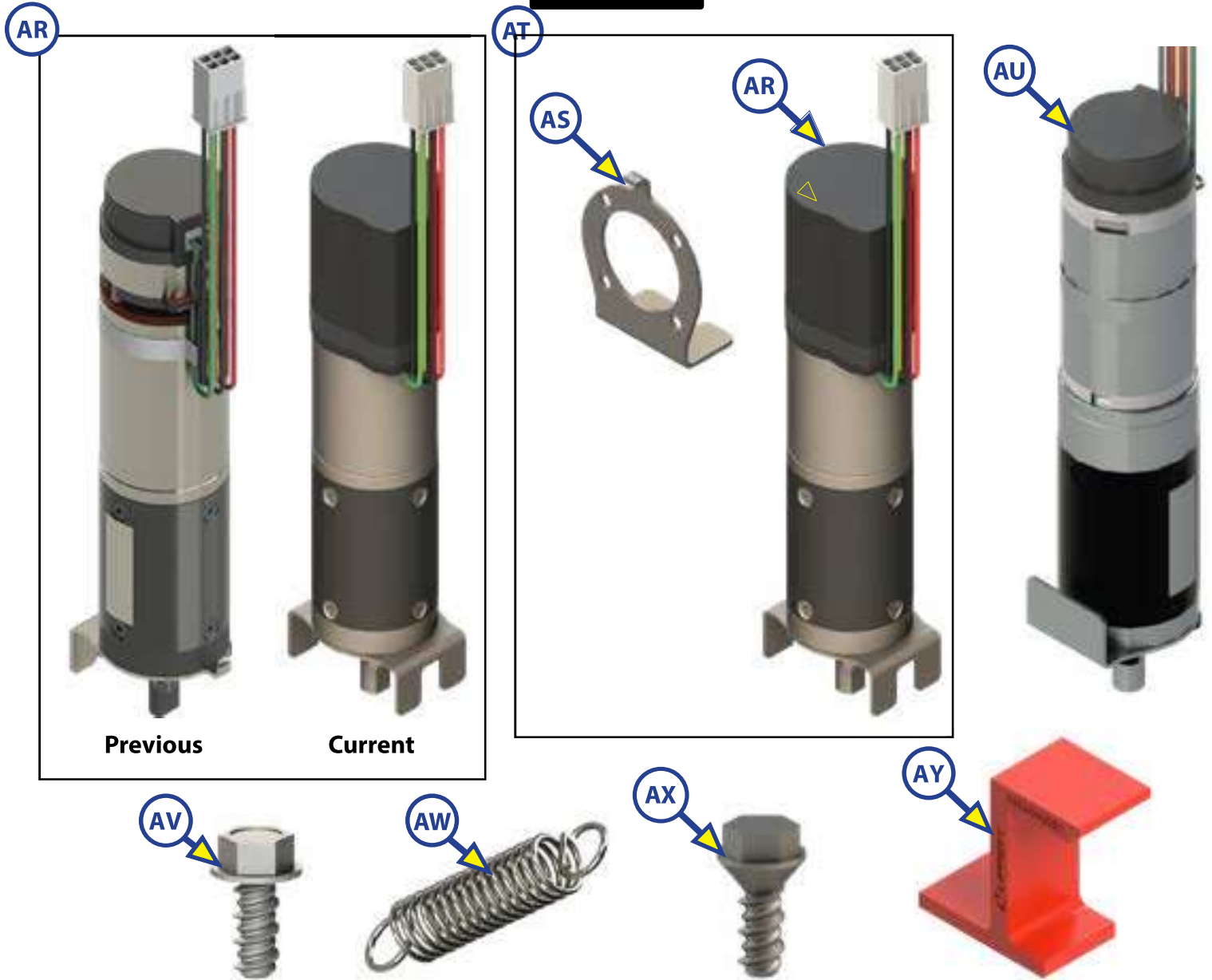


Callout	Part #	Description
AK	*362454	Flange
AL	*371033	C-Channel
AM	* 366724	Motor opening cover
AN	*694131	H Column (OBSOLETE, use 2024027511)
AO	*2024027511	H Column
AP	*694137	Flat Flange
AQ	*2022326298	Z Flange

NOTE: *Part must be replaced using variant code.

SLIMRACK® SLIDE-OUT COMPONENTS

SLIDE-OUTS



Callout	Part #	Description
AR	364262	Motor (with Brake)
AS	*389061	Motor Bracket
AT	722005	SlimRack Motor Kit
AU	366698	Motor (without Brake)
AV	369630	#12 - 16 x 1/2" Screw (used with previous motor) (OBSOLETE, use 426716)
AW	366937	Motor Retention Spring (used with previous motor) (OBSOLETE)
AX	426716	#12 - 16 x 3/8" Motor Retention Screw (used with current motor)
AY	2026060081	Install Gauge (OEM)

NOTE: *Motor Bracket included part of SlimRack Motor service kit. It is not available for individual sale.

SLIMRACK® SLIDE-OUT COMPONENTS

SLIDE-OUTS

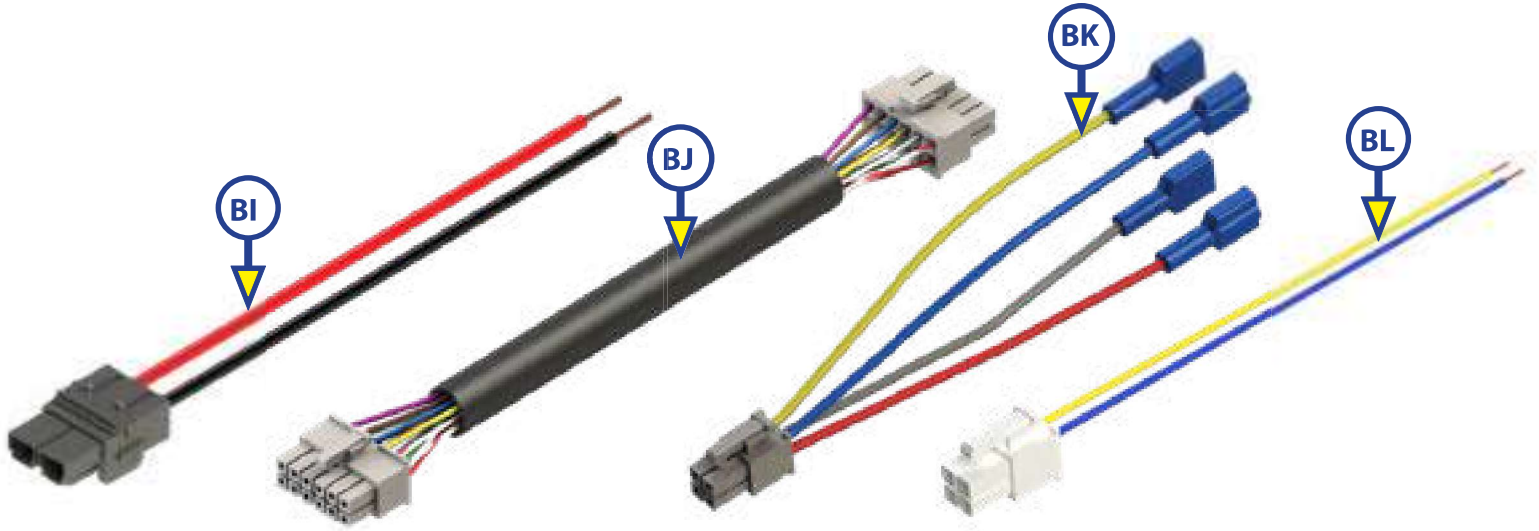


Callout	Part #	Description
AZ	363984	Touch Pad (Programmable)
BA	370720	Wall Switch (Auto Programmable)
BB	366697	*Controller (Programmable) - (OBSOLETE, Use 700155)
BC	366701	**Controller (Auto Programmable) - (OBSOLETE, Use 697096)
BD	366703	***Controller (Auto Programmable, Winnebago only) - (OBSOLETE)
BE	697096	Controller (Auto Programmable Towable)
BF	700155	Controller (Manual Programmable Towable)
BG	700156	Controller (Auto Programmable Motorized)
BH	700157	Controller (Manual Programmable Motorized)

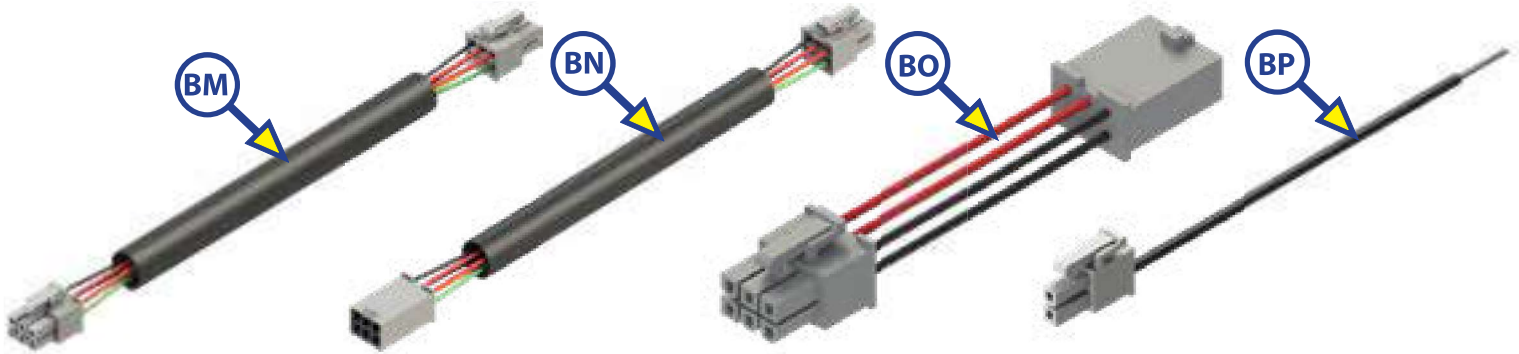
NOTE: *Controller 366697 has been replaced by either 700155 for Towable units or 700157 for Motorized units.
NOTE: **Controller 366701 has been replaced by either 697096 for Towable units or 700156 for Motorized units.
NOTE: ***Controller 366703 has been replaced by 366701 with added adapter wire harness 387587.

SLIMRACK® SLIDE-OUT COMPONENTS

SLIDE-OUTS



Callout	Part #	Description
BI	366700	Power Harness
BJ	370696	Touch Pad Harness (5')
	370697	Touch Pad Harness (10') (OBSOLETE)
	370655	Touch Pad Harness (15') (OBSOLETE)
	370654	Touch Pad Harness (20')
	370698	Touch Pad Harness (25')
	370700	Touch Pad Harness (30') (OBSOLETE)
	370701	Touch Pad Harness (35')
	370702	Touch Pad Harness (40')
BK	370704	Rocker Switch Harness (10')
	370705	Rocker Switch Harness (20')
	370706	Rocker Switch Harness (30')
BL	642235	Input Switch Pigtail Harness, 6"



Callout	Part #	Description
BM	370643	Motor Harness (5')
	370279	Motor Harness (10')
	370286	Motor Harness (15')
	370288	Motor Harness (20')
	370291	Motor Harness (25')
	370695	Motor Harness (30')
	370389	Motor Harness (40')
BN	366873	Motor Extension Harness (36")
	366874	Motor Extension Harness (48")
	370707	Motor Extension Harness (54")
	366875	Motor Extension Harness (60") (OBSOLETE)
	366876	Motor Extension Harness (72")
	370273	Motor Extension Harness (78")
	366877	Motor Extension Harness (84")
	429458	Motor Extension Harness (96")
	428903	Motor Extension Harness (104")
BO	387587	Adapter Wire Harness (6") (WGO Service Only)
BP	370399	Park Brake Harness (3')