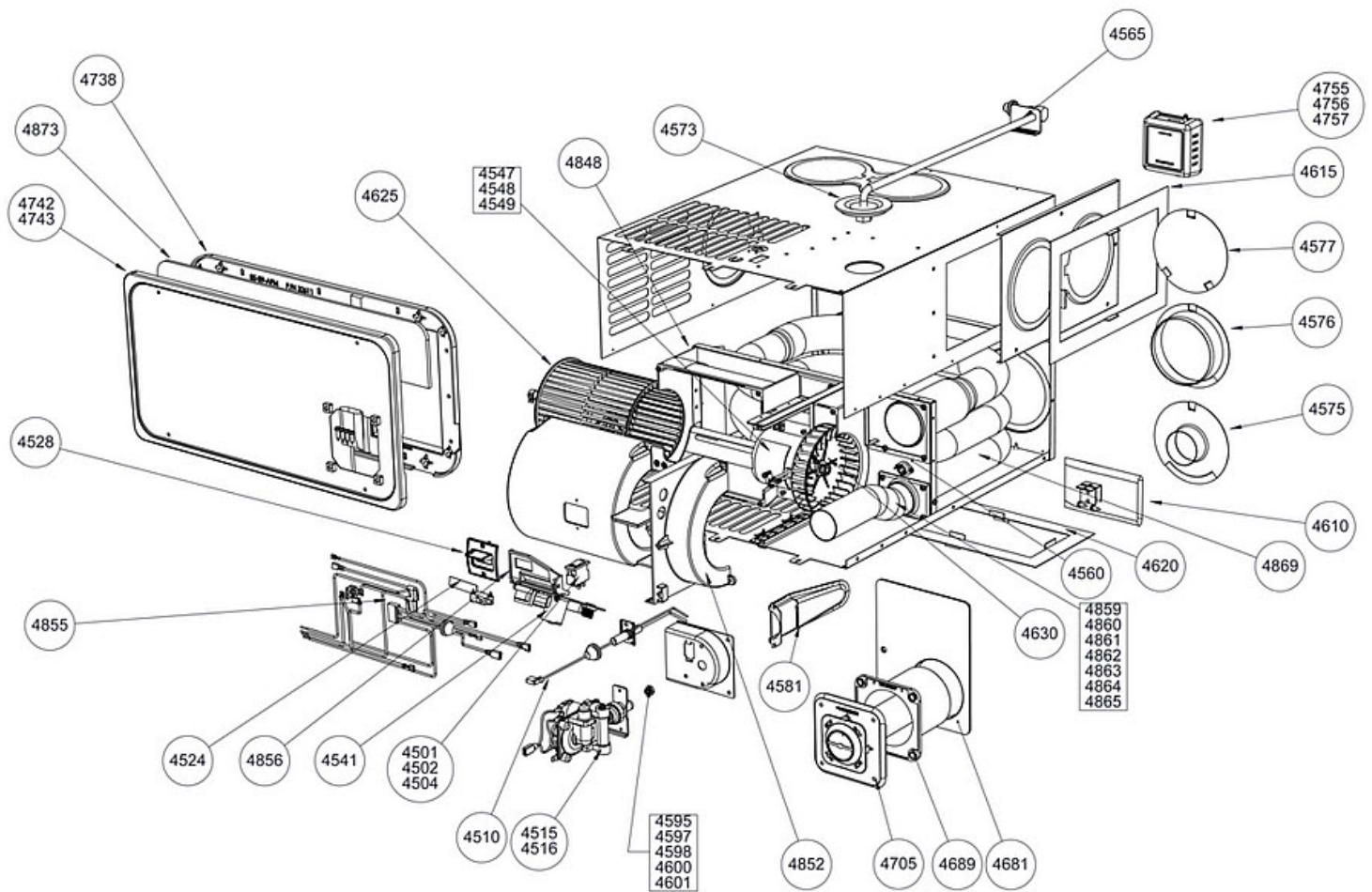


Dometic Mohave Medium Furnace, DFMD35121



Reference #	Mfg Part Number	Qty	Product Description
4502	30337	1	CIRCUIT BREAKER, 15 AMP
NS	32447	1	RESET CIRCUIT BREAKER, 15 AMP
4510	35100	1	ELECTRODE
4516	31098	1	VALVE 12VDC TOP
4524	31094	1	SAIL SWITCH-WHITE (For S# 72489156 & Below)
4524	33063	1	SAIL SWITCH-DF-BLACK USE 33082
4524	33082	1	SAIL SWITCH
4528	33053	1	SAIL SWITCH MOUNT M-L
4541	31501	1	CIRCUIT BOARD
4547	30720	1	MOTOR 35-40
4560	31091	1	LIMIT SWITCH 190 DEG
4565	35712	1	MANIFOLD EXT ASSM
4575	36688	1	DUCT ADAPTER 2 INCH
4576	31474	1	DUCT ADAPTER 4 INCH
4577	31361	1	DUCT COVER PLATE 4 INCH
4581	30268	1	BURNER HEAD, LP GAS
4595	31078	1	ORIFICE #50 LP
4610	31244	1	CASING LEG
4615	30205	1	BOTTOM ADAPTER PLATE-VERTICAL
4620	30261	1	BOTTOM ADAPTER PLATE-HORIZONTAL
4625	33126	1	BLOWER WHEEL W/CLAMP
4630	33128	1	COMBUSTION AIR WHEEL
4681	30456	1	VENT COVER PANEL USE 31367
4681	31367	1	VENT COVER PANEL V3-V4
4689	33055	1	VENT PANEL EXTENSION
4705	33050	1	DOOR VENT ASSEMBLY
4755	32300	1	WALL THERMOSTAT, HEAT ONLY BLACK
4756	38452	1	WALL THERMOSTAT, HEAT ONLY BROWN
4757	38453	1	WALL THERMOSTAT, HEAT ONLY WHITE
4848	30751	1	BLOWER HOUSING-MEDIUM
4852	32444	1	BLOWER HOUSING COVER-MEDIUM
4855	33060	1	WIRING HARNESS DC

Breakdown with Parts -

<b>4856</b>	33052	1	BOARD & BREAKER BRACKET
<b>4865</b>	33173	1	EXHAUST ADAPTER 1.10
<b>4869</b>	33301	1	HEAT EXCHANGER-MEDIUM

Schematic numbers 4573, 4738, 4742 and 4873 are not used in this model.

NS=Not Shown