



# Parts Manual

## Onan Generator Set for RV

HGJAA (Spec A–E, J–K)

HGJAB (Spec A–E, J–L)

HGJAC (Spec A–C)



## Introduction

This parts manual applies to the standard generator sets listed below. Parts are arranged in groups of related items and each illustrated part is defined by a reference number corresponding to the same reference number in the parts list. Parts illustrations are typical. Using the model and specification number from your generator set nameplate, select parts that apply to your set. Right and left sides are determined by facing the engine end (front) of the set.

### Generator Set Data Table

<b>Model Identification</b>	<b>Fuel</b>	<b>Wiring Diagram</b>	<b>Voltage</b>	<b>Hertz</b>	<b>Phase</b>
5.5HGJAA600A/B	Gasoline (EFI)	611-1272	120	60	1
5.5HGJAA600C/D	Gasoline (EFI)	611-1272	120	60	1
5.5HGJAA1116A/B	LP (Liquid)	611-1271	120	60	1
5.5HGJAA1116C/D	LP (Liquid)	611-1271	120	60	1
5.5HGJAA1117A/B	LP (Vapor)	611-1271	120	60	1
5.5HGJAA1117C/D	LP (Vapor)	611-1271	120	60	1
5.5HGJAA1273A/B	Gasoline (EFI)	611-1272	120	60	1
5.5HGJAA1273C/D	Gasoline (EFI)	611-1272	120	60	1
5.5HGJAA1274A/B	LP (Vapor)	611-1271	120	60	1
5.5HGJAA1274C/D	LP (Vapor)	611-1271	120	60	1
5.5HGJAA1275A/B	LP (Vapor)	611-1271	120	60	1
5.5HGJAA1275C/D	LP (Vapor)	611-1271	120	60	1
5.5HGJAA1384J	Gasoline (EFI)	611-1271	120	60	1
6.5HGJAA896A/B	LP (Liquid)	611-1271	120	60	1
6.5HGJAA896C/D	LP (Liquid)	611-1271	120	60	1
6.5HGJAA1278A/B	LP (Liquid)	611-1271	120	60	1
6.5HGJAA1278C/D	LP (Liquid)	611-1271	120	60	1
6.5HGJAA1277A/B	LP (Vapor)	611-1271	120	60	1
6.5HGJAA1277C/D	LP (Vapor)	611-1271	120	60	1
6.5HGJAA898A/B	LP (Vapor)	611-1271	120	60	1
6.5HGJAA898C/D	LP (Vapor)	611-1271	120	60	1
7.0HGJAA97A/B	Gasoline (EFI)	611-1272	120	60	1
7.0HGJAA97C/D	Gasoline (EFI)	611-1272	120	60	1
7.0HGJAA1276A/B	Gasoline (EFI)	611-1272	120	60	1
7.0HGJAA1276C/D	Gasoline (EFI)	611-1272	120	60	1
5.5HGJAB901A/B	Gasoline	611-1271	120	60	1
5.5HGJAB901C/D	Gasoline	611-1271	120	60	1
5.5HGJAB911K	Gasoline	611-1271	120	60	1
5.5HGJAB1118A/B	LP (Liquid)	611-1271	120	60	1
5.5HGJAB1118C/D	LP (Liquid)	611-1271	120	60	1
5.5HGJAB1119A/B	LP (Vapor)	611-1271	120	60	1
5.5HGJAB1119C/D	LP (Vapor)	611-1271	120	60	1
5.5HGJAB1270A/B	LP (Vapor)	611-1271	120	60	1
5.5HGJAB1270C/D	LP (Vapor)	611-1271	120	60	1
5.5HGJAB1271A/B	LP (Liquid)	611-1271	120	60	1
5.5HGJAB1271C/D	LP (Liquid)	611-1271	120	60	1
5.5HGJAB1038A/B	Gasoline	611-1271	120	60	1
5.5HGJAB1038C/D	Gasoline	611-1271	120	60	1
5.5HGJAB1038E	Gasoline	611-1271	120	60	1
5.5HGJAB1038J/K	Gasoline	611-1271	120	60	1
5.5HGJAB1049K	Gasoline	611-1271	120	60	1

**Generator Set Data Table**

<b>Model Identification</b>	<b>Fuel</b>	<b>Wiring Diagram</b>	<b>Voltage</b>	<b>Hertz</b>	<b>Phase</b>
5.5HGJAB1381J	LP (Liquid)	611-1271	120	60	1
5.5HGJAB1220J	LP (Liquid)	611-1271	120	60	1
5.5HGJAB6755D/E	EVAP	611-1271	120	60	1
5.5HGJAB6755J/K	EVAP	611-1271	120	60	1
5.5HGJAB7103D/E	EVAP	611-1271	120	60	1
5.5HGJAB8214K	EVAP	611-1271	120	60	1
5.5HGJAB7103J/K	EVAP	611-1271	120	60	1
5.5HGJAB7866K	EVAP	611-1271	120	60	1
5.5HGJAB912K	Gasoline	611-1271	120	60	1
6.5HGJAB902A/B	LP (Liquid)	611-1272	120	60	1
6.5HGJAB902C/D	LP (Liquid)	611-1272	120	60	1
6.5HGJAB904A/B	LP (Vapor)	611-1272	120	60	1
6.5HGJAB904C/D	LP (Vapor)	611-1272	120	60	1
6.5HGJAB915J	LP (Vapor)	611-1272	120	60	1
6.5HGJAB1037A/B	LP (Liquid)	611-1272	120	60	1
6.5HGJAB1037C/D	LP (Liquid)	611-1272	120	60	1
6.5HGJAB1272A/B	LP (Vapor)	611-1271	120	60	1
6.5HGJAB1272C/D	LP (Vapor)	611-1271	120	60	1
7.0HGJAB7867K	EVAP	611-1271	120	60	1
7.0HGJAB900A/B	Gasoline (EFI)	611-1271	120	60	1
7.0HGJAB900C/D	Gasoline (EFI)	611-1271	120	60	1
7.0HGJAB1036A/B	Gasoline (EFI)	611-1271	120	60	1
7.0HGJAB1036C/D	Gasoline (EFI)	611-1271	120	60	1
7.0HGJAB1037A/B	LP (Liquid)	611-1271	120	60	1
7.0HGJAB1038C/D	Gasoline (EFI)	611-1271	120	60	1
5.5HGJAC907A/B	Gasoline	611-1271	120	60	1
5.5HGJAC907C/D	Gasoline	611-1271	120	60	1
5.5HGJAC1120A/B	LP (Liquid)	611-1271	120	60	1
5.5HGJAC1120C/D	LP (Liquid)	611-1271	120	60	1
5.5HGJAC1121A/B	LP (Vapor)	611-1271	120	60	1
5.5HGJAC1121C/D	LP (Vapor)	611-1271	120	60	1
5.5HGJAC1264A/B	Gasoline	611-1271	120	60	1
5.5HGJAC1264C/D	Gasoline	611-1271	120	60	1
5.5HGJAC1265A/B	LP (Vapor)	611-1271	120	60	1
5.5HGJAC1265C/D	LP (Vapor)	611-1271	120	60	1
5.5HGJAC1266A/B	LP (Liquid)	611-1271	120	60	1
5.5HGJAC1266C/D	LP (Liquid)	611-1271	120	60	1
6.5HGJAC908A/C/D	LP (Liquid)	611-1271	120	60	1
6.5HGJAC910A/C/D	LP (Vapor)	611-1271	120	60	1
6.5HGJAC1268A/C/D	LP (Vapor)	611-1271	120	60	1
6.5HGJAC1269A/C/D	LP (Liquid)	611-1271	120	60	1
7.0HGJAC1267A/C/D	Gasoline (EFI)	611-1272	120	60	1
7.0HGJAC906A/C/D	Gasoline (EFI)	611-1272	120	60	1

# Index

## A

Adapter Pipe 3/8 NPT, **30**  
Adapter, Elbow, **26**  
Adapter, LP Vapor Solenoid Pipe, **30**  
Arm, Rocker, **11**  
Arm, Tensioner, **12**  
Assy, Regulator, **29**  
Assy, Remote Fuel Pump, **21**

## B

Backplate, Fan, **12**  
Baffle, Exhaust (HGJAA, HGJAB), **36**  
Ball, Oil Pump Steel, **33**  
Base, Mounting, **39**  
Bearing, Governor Shaft Needle, **13**  
Bearing, Main, **9**  
Bearing, Thrust, **33**  
Belt, **12**  
Block, Brush, **47**  
Block, Cylinder, **9**  
Block, Generator Brush, **46 , 47**  
Body, Assy, Throttle, **19**  
Body, Throttle, **18 , 19**  
Boot, Rubber Battery, **39**  
Boot, Rubber Wiring, **39**  
Bracket, Converter (HGJAA, HGJAB), **25**  
Bracket, Converter (HGJAC), **26**  
Bracket, Generator Stab, **46 , 47**  
Bracket, Pump, **21**  
Bracket, Regulator, **29**  
Bracket, Shutoff Valve Mounting, **27**  
Bracket, Speed Control, **13**  
Breaker, Circuit, **48**  
Bulkhead, EFI, **22 , 23**  
Bushing, Regulator Reducer, **29**  
Bushing, Tensioner, **12**

## C

Camshaft, **11**  
Carburetor, Gasoline, **14 , 15 , 16 , 17**  
Carton, Shipping, **54**  
Cleaner, Air, **31**  
Clip, Brush Seal (HGJAA,HGJAB), **41**  
Clip, Brush Seal (HGJAC), **43**  
Clip, Cylinder Shroud Wire, **38**  
Clip, Hose, **9**  
Clip, Piston Pin, **10**  
Coil, Ignition, **39**  
Coil, Ignition (plug wires), **39**  
Collet, Valve, **11**  
Components, EFI Throttle Body, **19**  
Components, Fuel Rail, **20**  
Connector, EFI Manifold Hose, **20**  
Connector, Fuel Pump Hose, **15 , 17**  
Control, PCB, **48**  
Converter (HGJAA, HGJAB), **25**  
Converter (HGJAC), **26**  
Converter, LP Liquid High Pressure (HGJAA, HGJAB),  
**25**  
Converter, LP Liquid High Pressure (HGJAC), **26**  
Coupling Assy, **12**  
Cover, Access, **34**  
Cover, Air Cleaner, **31**  
Cover, Air Inlet (HGJAA,HGJAB), **42**  
Cover, Assembly Inlet (HGJAC), **43**  
Cover, Breather, **9**  
Cover, Control, **48**  
Cover, Drip Pan Air Inlet (HGJAA, HGJAB), **42**  
Cover, Enclosure, **44**  
Cover, Main Bearing, **33**  
Cover, Oil Filter (HGJAA,HGJAB), **41**  
Cover, Oil Filter (HGJAC), **43**  
Cover, Oil Pump, **33**  
Cover, Rocker, **9**

# Index

Cover, Switch, **48**  
Cover, Throttle Body, **19**  
Crankshaft, **10**  
Cutoff, Fuel Solenoid, **15**

## D

Door, Enclosure, **44**  
Drive, **12**

## E

Elbow, Conduit (HGJAA,HGJAB), **41**  
Elbow, Conduit (HGJAC), **43**  
Elbow, EFI Bulkhead 90 Degree Hose, **22 , 23**  
Elbow, Fuel Filter Street, **15**  
Elbow, Fuel Valve Shutoff 90 Degree Pipe, **27**  
Elbow, LP Vapor Bulkhead 90 Degree Pipe, **30**  
Elbow, LP Vapor Solenoid 90 Degree Street, **30**  
Elbow, Regulator Pipe, **29**  
Element, Air Cleaner, **31**  
Endbell, **46 , 47**  
Engine, Replacement, **9**

## F

Fan, Generator, **12**  
Filter, Fuel, **18**  
Filter, Gasoline Fuel, **15 , 17**  
Filter, Oil, **33**  
Filter, Oil Pump, **33**  
Fitting, EFI Bulkhead, **22 , 23**  
Fitting, Hose Connector, **15**  
Fitting, LP Vapor Bulkhead, **30**  
Flywheel, **12**  
Fuel System, **18**

## G

Gasket, **18**  
Gasket, Breather Plate, **9**  
Gasket, Cylinder Head, **9**  
Gasket, Door, **44**

Gasket, Exhaust Manifold, **35**  
Gasket, Gasoline Carburetor, **15 , 17**  
Gasket, Gasoline Intake Manifold, **15 , 17**  
Gasket, LP Vapor Carburetor, **28**  
Gasket, LP Vapor Intake Manifold, **28**  
Gasket, LPG Liquid Carburetor, **24**  
Gasket, LPG Liquid Intake Manifold, **24**  
Gasket, Main Bearing Cover, **33**  
Gasket, Muffler (HGJAA, HGJAB), **36**  
Gasket, Rocker Cover, **9**  
Gasket, Throttle , **19**  
Gasket, Throttle Body, **19**  
Gauge, Oil, **33**  
Gear, Governor, **33**  
Generator, **46 , 47**  
Governor, **13**  
Grommet, Drip Pan (HGJAA,HGJAB), **41**  
Grommet, Drip Pan (HGJAC), **43**  
Grommet, Ignition, **39**  
Grommet, Pin, **44**  
Grommet, Remote, **44**  
Guide, Valve, **9**

## H

Harness, AC Output, **48**  
Harness, EFI Engine, **50 , 51 , 52**  
Harness, LP/Gasoline Engine, **49**  
Harness, Remote Pump (15'), **21**  
Head, Cylinder, **9**  
Hose (550mm), **28**  
Hose (690mm), **29**  
Hose, Air, **39**  
Hose, Bulk (3.24 feet), **29**  
Hose, EFI Vacuum, **20**  
Hose, Fuel, **18**  
Hose, Gasoline Fuel, **15 , 17**  
Hose, LP Liquid, **24**  
Hose, LPG Liquid Drain, **24**  
Hose, Oil Drain, **33**  
Housing, Air Cleaner, **31**

# Index

Housing, Control, **48**  
Housing, Genset, **44** , **45**  
Hub, Governor, **13**

## I

Illustration, Label, **55**  
Injector, EFI Fuel, **20**  
Insulation, Door, **44**  
Insulation, Exhaust Manifold (HGJAC), **35**  
Insulation, Housing Cover, **44**  
Insulation, Inlet Baffle (HGJAA,HGJAB), **42**  
Insulation, Sound, **34**  
Insulator, Gasoline Carburetor, **15** , **17**  
Insulator, LP Vapor Carburetor, **28**  
Insulator, LPG Liquid Carburetor, **24**  
Isolator, **18**  
Isolator, Rubber (HGJAA,HGJAB), **41**  
Isolator, Rubber (HGJAC), **43**  
Isolator, Snubber (HGJAA,HGJAB), **41**  
Isolator, Snubber (HGJAC), **43**  
Isolator, Spring (HGJAA,HGJAB), **41**  
Isolator, Spring (HGJAC), **43**

## K

Key, Crankshaft, **12**  
Kit, Breather, **55**  
Kit, Carburetor, **15** , **17**  
Kit, Choke, **15**  
Kit, Conversion (LP), **55**  
Kit, Exhaust (HGJAC), **55**  
Kit, Mounting (Underfloor), **55**  
Kit, Muffler (HGJAC), **36**  
Kit, Overhaul, **9**  
Kit, Remote Pump, **21**  
Kit, Tailpipe (22"), **55**  
Kit, Tailpipe (26"), **55**

## L

Label, Package, **55**

Labels, Accessories, **55**  
Lever, Governor, **13**  
Link, Throttle, **13**

## M

Manifold, Intake, **18**  
Manifold Rail Assy, Intake, **20**  
Manifold, EFI Intake, **20**  
Manifold, Exhaust, **35**  
Manifold, Exhaust (HGJAA, HGGJAB), **35**  
Manifold, Gasoline Intake, **15** , **17**  
Manifold, LP Vapor Intake, **28**  
Manifold, LPG Liquid Intake, **24**  
Mixer, LP Vapor Low Pressure, **28**  
Mixer, LPG Liquid High Pressure, **24**  
Module, Secondary Air , **34**  
Muffler (HGJAA, HGJAB), **36**

## N

Nipple, LP Vapor Solenoid Pipe, **30**

## O

O'Ring, EFI Injector, **20**  
O'Ring, Generator, **46** , **47**  
O'Ring, Injector, **20**  
O'Ring, Main Bearing Cover, **33**  
O'Ring, Oil Gauge, **33**  
O'Ring, Oil Pump Cover, **33**  
O'Ring, Rail Assy, **20**  
O-ring, **9**  
Orifice, **34**  
Overhaul Kit (Gasket Kit), **53**

## P

Pan, Drip (HGJAA, HGJAB), **41**  
Pan, Drip (HGJAA,HGJAB), **41**  
Pan, Drip (HGJAC), **43** , **43**  
Pin, Cylinder Block Dowel, **9**

# Index

Pin, Governor Shaft Snap, **13**  
Pin, Latch, **44**  
Pin, Piston, **10**  
Piston, **10**  
Pivot, Rocker Arm, **11**  
Plate, Breather, **9**  
Plate, Guide, **11**  
Plate, Leaf Valve Retainer, **9**  
Plug, Pipe, **30**  
Plug, Cylinder Block Blind, **9**  
Plug, Drain, **33**  
Plug, Drip Pan Hole (HGJAA,HGJAB), **41**  
Plug, Inlet Cover Hole (HGJAA,HGJAB), **42**  
Plug, Main Bearing Cover Blind, **33**  
Plug, Spark, **9**  
Pulley, Flywheel Drive, **12**  
Pulley, Generator, **12**  
Pulley, Tensioner, **12**  
Pump, Fuel, **15 , 17**

## R

Regulator, EFI Fuel Rail Pressure, **20**  
Regulator, LP Vapor Low Pressure, **29**  
Remote Fuel Pump Kit, **21**  
Retainer, Inlet Cover Insulation (HGJAA,HGJAB), **42**  
Retainer, Screw, **19**  
Retainer, Valve Spring, **11**  
Ring, Collector, **46**  
Ring, EFI Pressure Regulator Snap, **20**  
Ring, Throttle Body Retainer, **19**  
Rod, Connecting, **10**  
Rod, Push, **11**  
Rotor, Generator, **46**  
Rotor, Outer/Inner, **33**  
Rotor, Throttle Body Governor, **19**

## S

Screen, Vent, **30**  
Seal, Cylinder Block Oil, **9**  
Seal, Drip Pan Air Intake (HGJAA,HGJAB), **41**

Seal, Drip Pan Air Intake (HGJAC), **43**  
Seal, Drip Pan Brush (HGJAA,HGJAB), **41**  
Seal, Drip Pan Brush (HGJAC), **43**  
Seal, Housing Cover, **44**  
Seal, Main Bearing Case Oil, **33**  
Seal, Valve, **9**  
Secondary Air-Module, **34**  
Sensor, EFI Manifold Air Temperature, **20**  
Sensor, Map, **20**  
Sensor, Temperature, **37**  
Set, Piston Ring, **10**  
Shaft, Governor Lever, **13**  
Shaft, Oil Pump, **33**  
Shield, Exhaust Manifold (HGJAA, HGJAB), **35**  
Shim, Endbell, **46**  
Shroud, Air Cylinder, **38**  
Shroud, Fan, **40**  
Silencer, Exhaust, **37**  
Silencer-Exhaust, **37**  
Sleeve, Bearing, **12**  
Sleeve, Governor, **33**  
Sleeve, Nylon, **18**  
Snubber, Exhaust Spring (HGJAA, HGJAB), **36**  
Solenoid, Fuel, **17**  
Solenoid, LP Vapor Shutoff, **30**  
Spacer, Crankshaft, **10**  
Spacer, Governor Shaft, **13**  
Spacer, LP Vapor Solenoid, **30**  
Spring, Generator Brush, **46 , 47**  
Spring, Governor, **13**  
Spring, Governor Tension, **13**  
Spring, Relief Valve, **33**  
Spring, Tensioner Arm, **12**  
Spring, Torsion, **19**  
Spring, Valve, **11**  
Standoff, Battery Insulated, **39**  
Starter (Mounting), **33**  
Stator, Generator, **46**  
Stator, Throttle Body, **19**  
Strap, Bond (HGJAA,HGJAB), **41**  
Strap, Bond (HGJAC), **43**



# Index

Switch, Oil Pressure, **33**

Switch, Rocker, **48**

## T

Tappet, **11**

Tee, LP Vapor Solenoid Pipe, **30**

Tube, Breather, **31**

Tube, Exhaust, **36**

## V

Valve, **11** , **34**

Valve, Fuel, **25**

Valve, Leaf, **9**

Valve, LP Vapor Fuel Shutoff, **30**

Valve, LP Vapor Solenoid Shutoff, **30**

Valve, LPG Liquid Fuel Shutoff, **24**

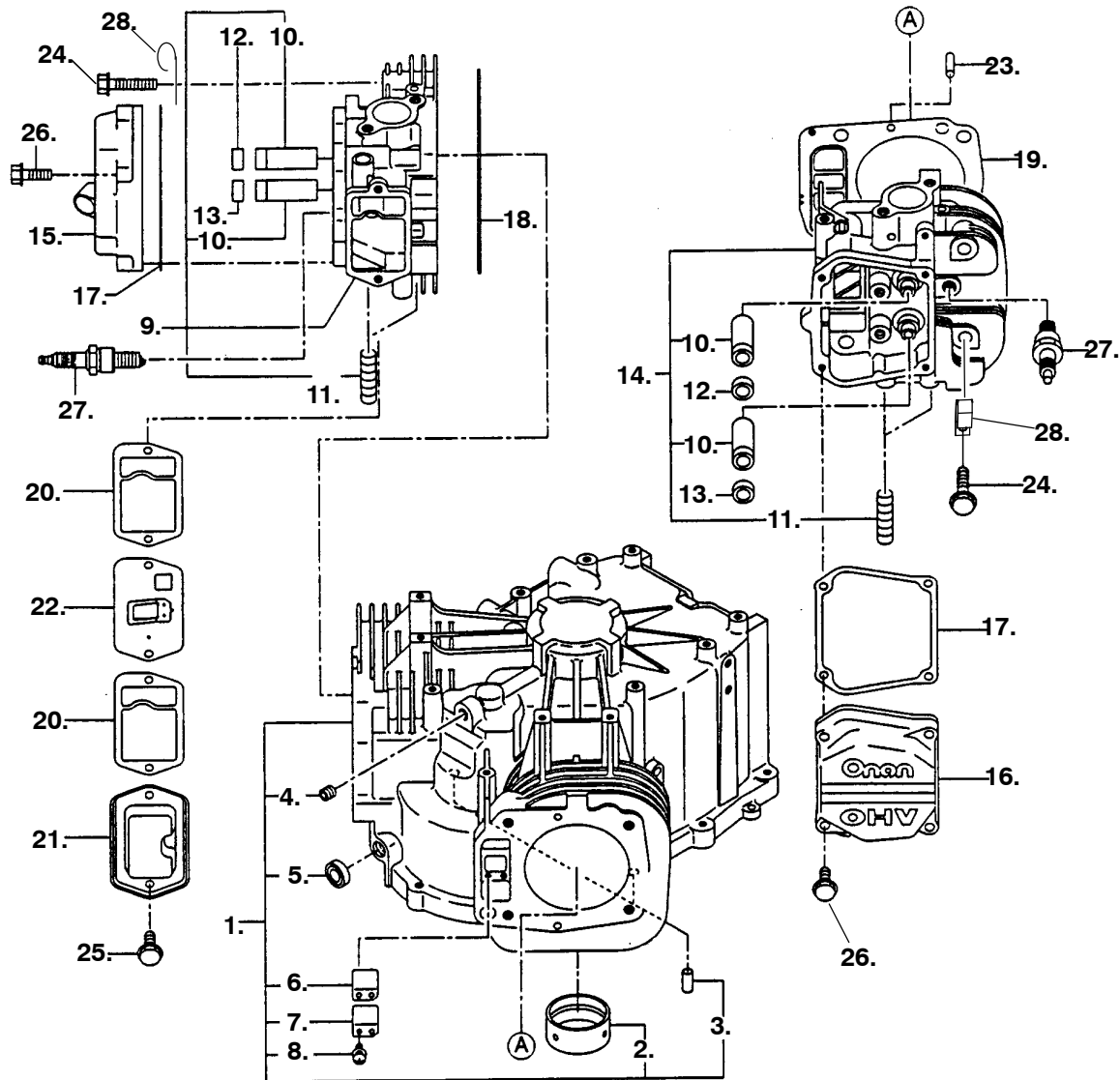
Valve, LPG Liquid Shutoff, **24** , **27**

Valve, Oil Drain, **33**

Valve, Oil Drain Shutoff, **33**

**This Page Intentionally Left Blank.**

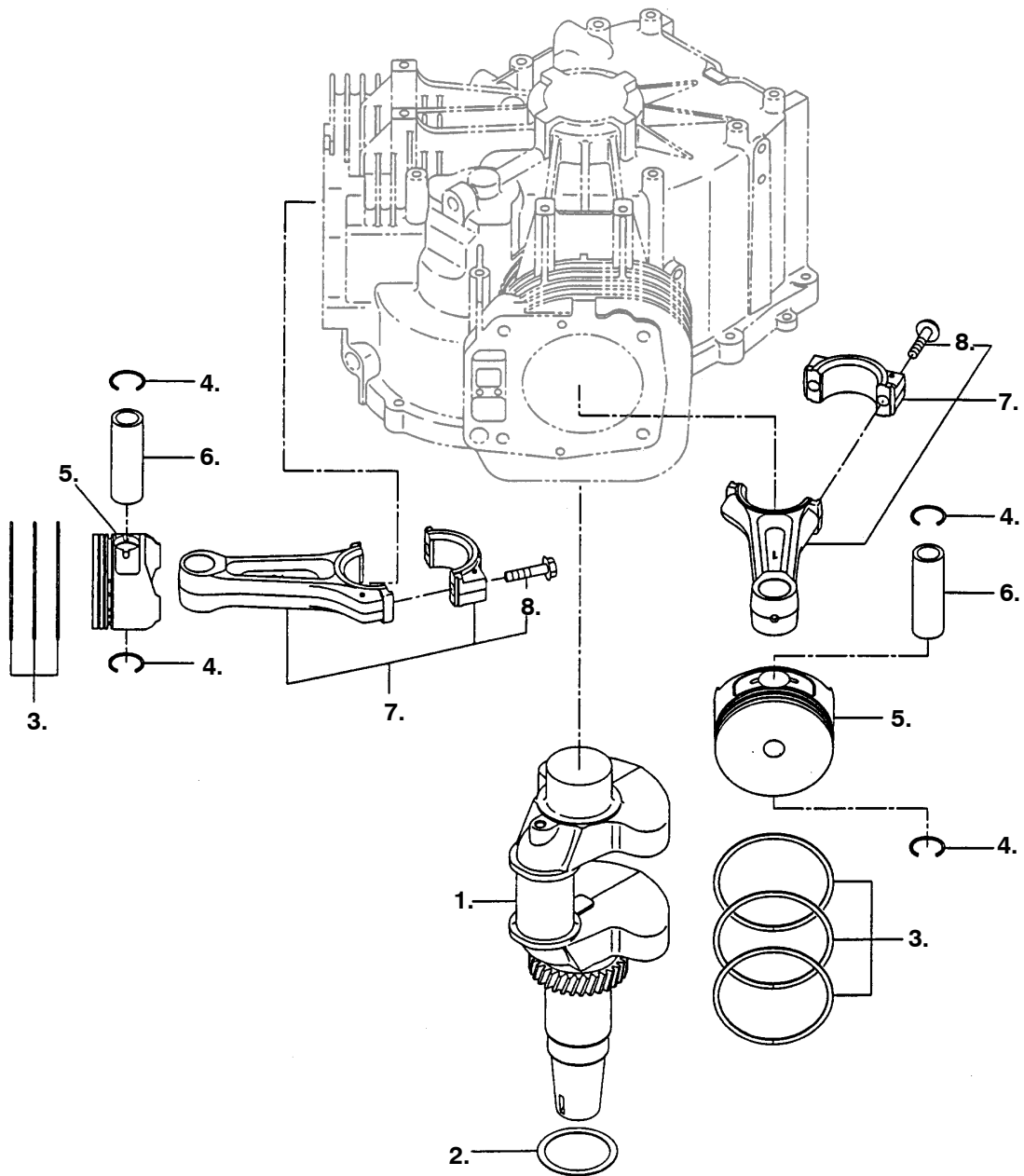
## Cylinder Block



REF NO.	PART NO.	QTY USED	PART DESCRIPTION	REF NO.	PART NO.	QTY USED	PART DESCRIPTION
		1	Engine, Replacement				
	A056M508	1	EFI w/PTO	14.	187-6235	1	Head, Cylinder (2) (Includes Guides and Studs)
	A056M510	1	EFI w/o PTO	15.	110-3929	1	Cover, Rocker (1)
	A056M514	1	Carb w/PTO	16.	110-3930	1	Cover, Rocker (2)
	A056M512	1	Carb w/o PTO	17.	187-6236	2	Gasket, Rocker Cover
1.	187-6223	1	Block Assy, Cylinder (Includes Parts Marked *)	18.	187-6224	1	Gasket, Cylinder Head (1)
2.	187-6001	1	*Bearing, Main	19.	187-6230	1	Gasket, Cylinder Head (2)
3.	187-6002	2	*Pin, Dowel	20.	187-6025	2	Gasket, Breather Plate
4.	187-6005	1	*Plug, Blind (w/Sealant)	21.	187-6026	1	Cover, Breather
5.	187-6006	1	*Seal, Oil	22.	187-6238	1	Plate, Breather
6.	187-6225	2	*Valve, Leaf	23.	187-6030	4	Pin, Dowel
7.	187-6226	2	*Plate, Retainer	24.	187-6033	8	Bolt, Flange
8.	187-6227	4	*Screw, Washer Assy	25.	187-6035	2	Bolt, Flange
9.	187-6232	1	Head, Cylinder (Unassembled) (Includes Guides and Studs)	26.	187-6241	8	Bolt, Flange
10.	187-6233	4	Guide, Valve	27.	167-1638	2	Plug, Spark
11.	187-6016	4	Stud	28.	518-0515	1/2	Clip, Hose (EFI, LP Vapor Sets)
12.	187-6015	2	Seal, Intake Valve	29.	541-1428	1	Kit, Overhaul
13.	187-6234	2	Seal, Exhaust Valve	30.	509-0196	2	O-ring (included in Overhaul Kit)

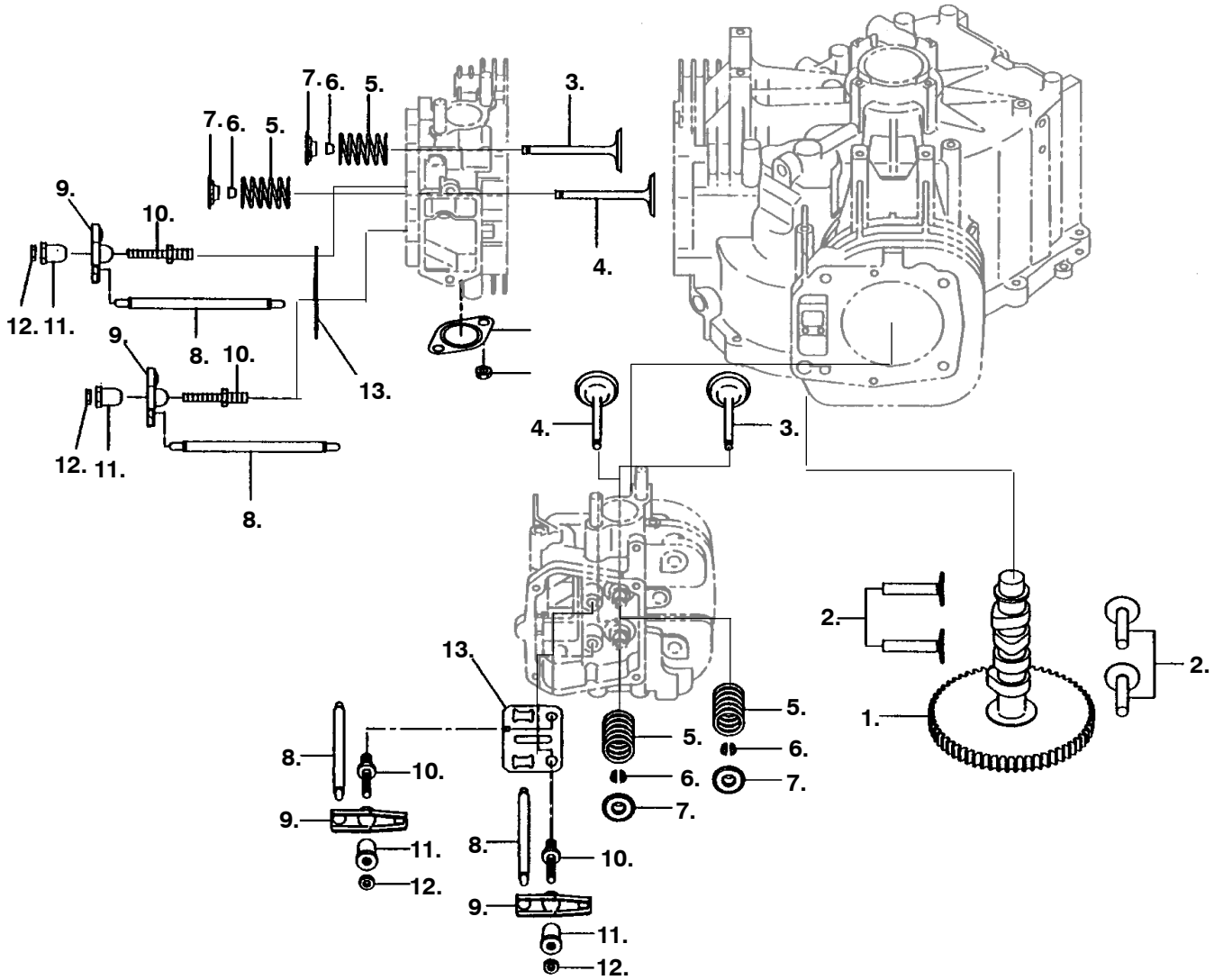
\* - Parts Included in Cylinder Block Assy.

# Crankshaft



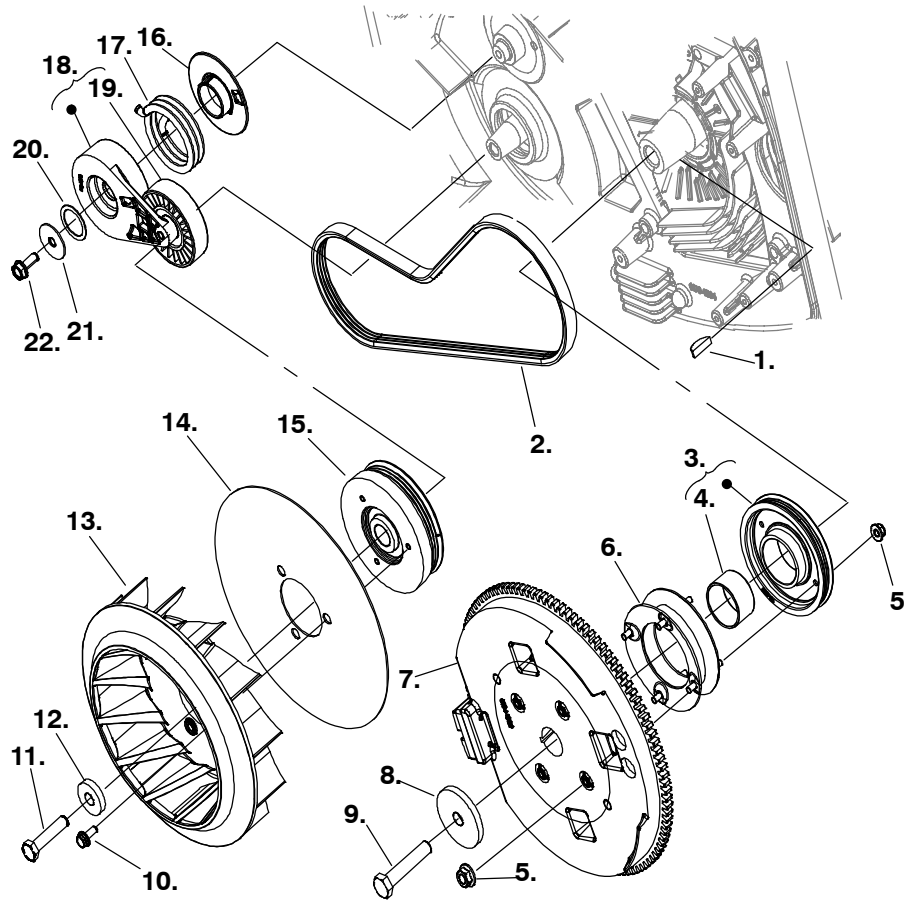
REF NO.	PART NO.	QTY USED	PART DESCRIPTION	REF NO.	PART NO.	QTY USED	PART DESCRIPTION
1.	187-6242	1	Crankshaft	4.	187-6045	4	Clip
2.			Spacer	5.			Piston
	187-6249	1	0.6		187-6042	2	Standard
	187-6250	1	0.8		187-6245	2	0.25 Oversize
	187-6251	1	1.0		187-6246	2	0.50 Oversize
3.			Set, Piston Ring	6.	187-6043	2	Pin, Piston
	187-6044	2	Standard	7.	187-6243	2	Rod, Connecting (Includes Bolt)
	187-6247	2	0.25 Oversize	8.	187-6244	2	Bolt, Connecting Rod
	187-6248	2	0.50 Oversize				

# Camshaft



REF NO.	PART NO.	QTY USED	PAR DESCRIPTION	REF NO.	PART NO.	QTY USED	PART DESCRIPTION
1.	187-6252	1	Camshaft	8.	187-6255	4	Rod, Push
2.	187-6055	4	Tappet	9.	187-6256	4	Arm, Rocker
3.	187-6056	2	Valve, Intake	10.	187-6257	4	Bolt, Pivot
4.	187-6057	2	Valve, Exhaust	11.	187-6258	4	Pivot
5.	187-6058	4	Spring, Valve	12.	187-6259	4	Nut
6.	187-6059	8	Collet, Valve	13.	187-6260	2	Plate, Guide
7.	187-6060	4	Retainer, Spring				

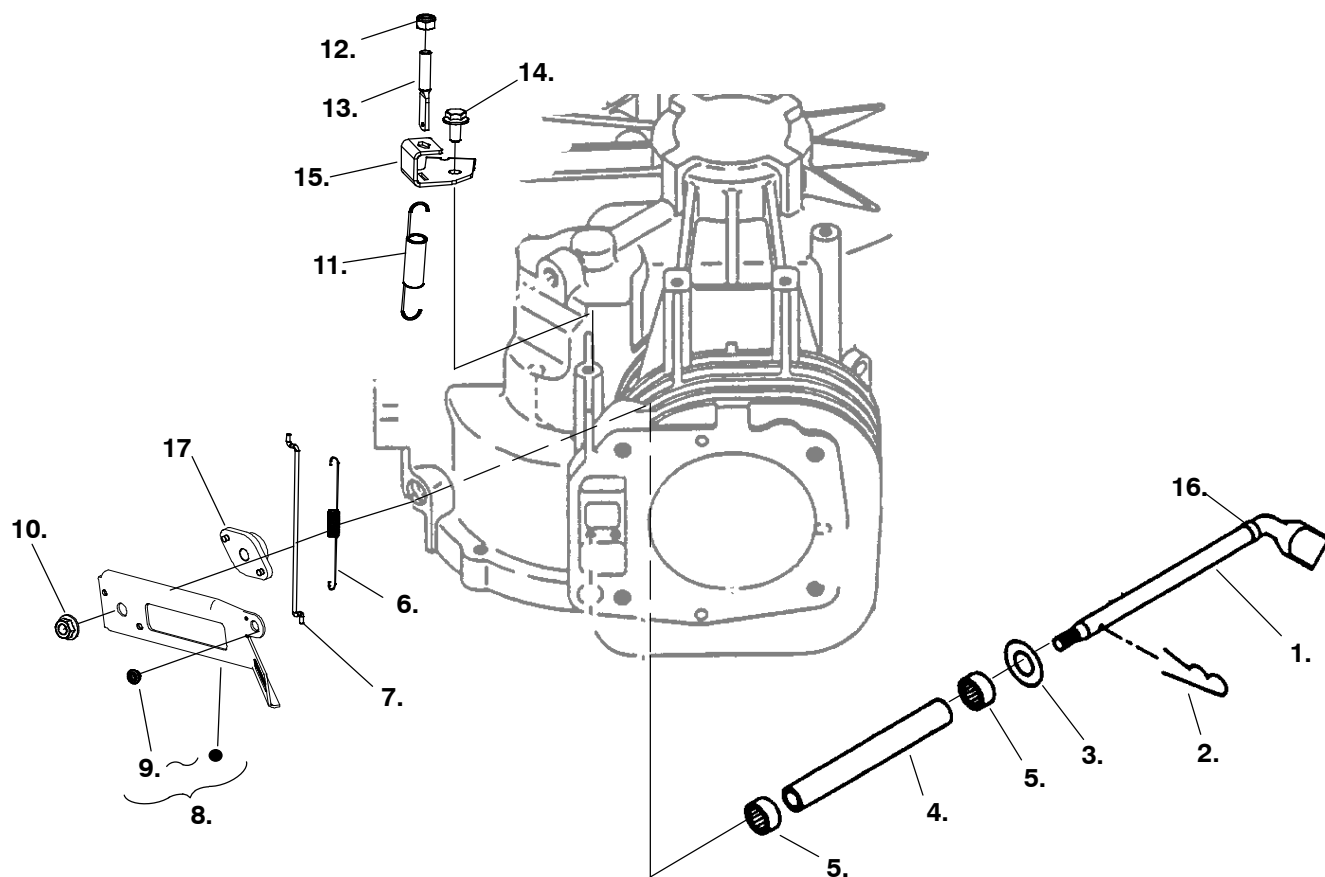
## Drive



REF NO.	PART NO.	QTY USED	PART DESCRIPTION	REF NO.	PART NO.	QTY USED	PART DESCRIPTION
			Flywheel Assy (Includes Parts Marked *)	11.	800-2090	1	Screw, Hex Head Cap (M10 x 45mm)
1.	104-1958	1	Spec A/B	12.	526-0017	1	Washer, Flat (15/32" ID x 1.25" OD)
	515-0094	1	Key, Crankshaft Woodruff	13.	205-0265	1	Fan, Generator
2.	511-0190-02	1	6.5 and 7kW	14.	A030C572	1	Backplate, Fan
	511-0190-01	1	5.5kW	15.	512-0200	1	Pulley, Generator 6.5 and 7kW
3.			*Pulley Assy, Drive (Includes Bearing)		512-0194	1	5.5kW
	512-0208	1	Spec A/B	16.	190-0754	1	Bushing, Tensioner
	512-0243	1	Begin Spec C	17.	190-0753	1	Spring, Tensioner
4.			*Sleeve, Bearing	18.	190-0758	1	Arm Assy, Tensioner (Includes Pulley)
	104-1959	1	Spec A/B	19.	190-0758-S0	1	Pulley, Tensioner
	510-0202-01	1	Begin Spec C	20.	190-0759	1	Washer, Tensioner
5.	870-2065-02	8	*Nut, Hex Flange	21.	526-0461	1	Washer, Flat (M9 x 34mm)
6.	512-0274	1	*Coupling Assy	22.	815-0829-06	1	Screw, Hex Washer Head Thread Form (M8 x 1.25 x 20mm)
7.			*Flywheel				
	104-1953-02	1	Spec A/B				
	104-2000-S0	1	Begin Spec C				
8.	526-0172	1	Washer, Flat (1/2" ID x 2.25" OD)				
9.	815-0930	1	Screw, Cap (M12 x 1.25 x .60mm)				
10.	821-2033	3	Screw, Lock Flange (M6 x 1 x 16mm)				

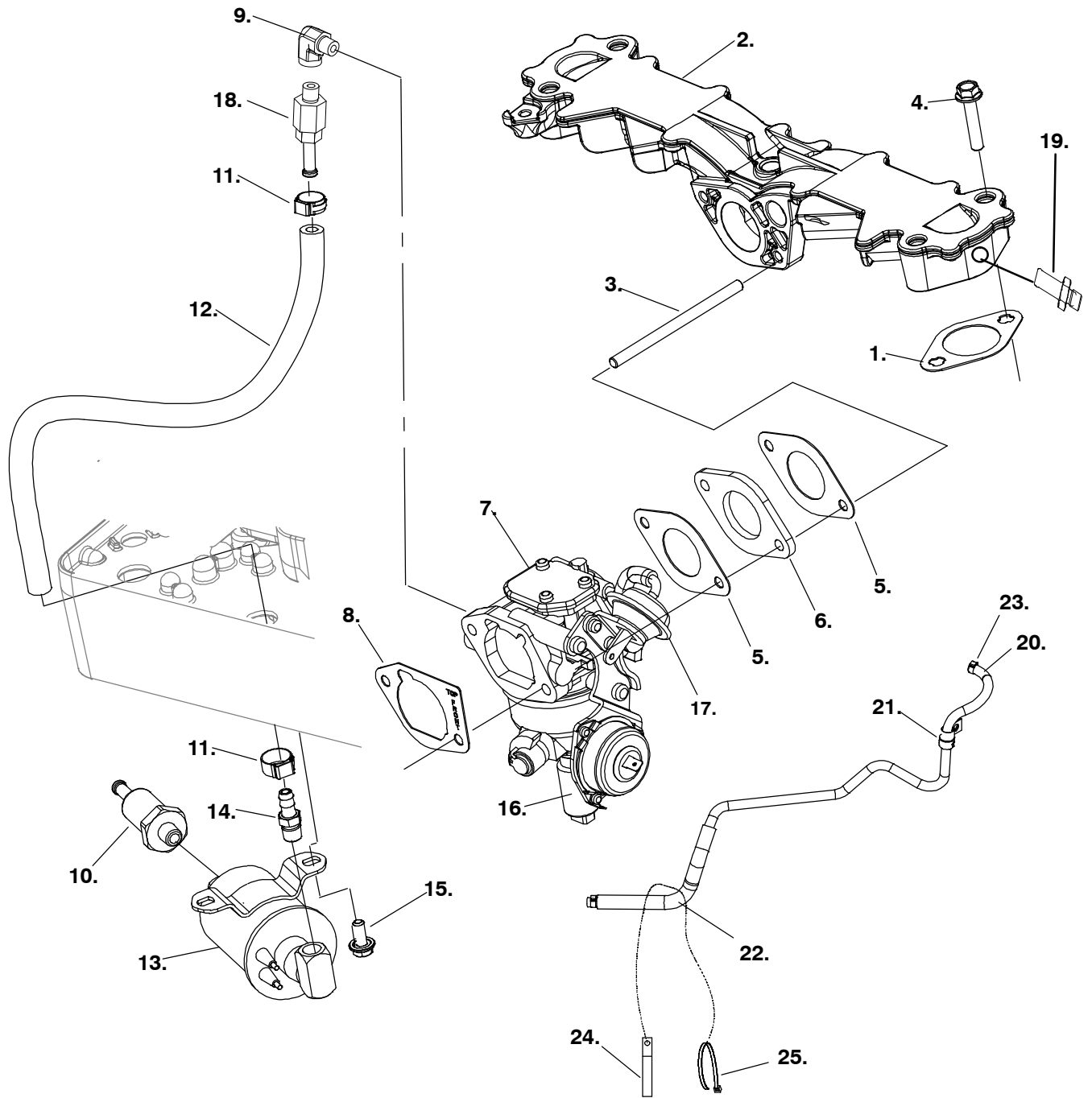
\* - Parts Included in Flywheel Assy.

## Governor



REF NO.	PART NO.	QTY USED	PART DESCRIPTION	REF NO.	PART NO.	QTY USED	PART DESCRIPTION
1.	187-6270	1	Shaft, Governor Lever	11.			Spring, Governor
2.	187-6085	1	Pin, Snap		150-2747	1	7.0kW, 60 Hz, Gold
3.	187-6092	1	Washer		151-0777	1	5.5kW, 60 Hz, Silver
4.	187-6271	1	Spacer	12.	870-0506	1	Nut, Nylon Lock (M6 x 1)
5.	187-6272	2	Bearing, Needle	13.	150-2744-02	1	Stud, Speed Adjust
6.	150-2748	1	Spring, Tension	14.	821-2096-02	1	Screw, Flange Head Machine
7.	150-2745	1	Link, Throttle-	15.	150-2743	1	Bracket, Speed Control
8.	150-2771	1	Lever, Governor	16.	187-6006	2	Seal
9.	505-1567	1	Bushing, Governor	17.	150-2742	1	Hub, Governor
10.	870-0558	1	Nut, Left Hand (M6 x 1)				

# Carburetor (Carb) (Spec A-E)





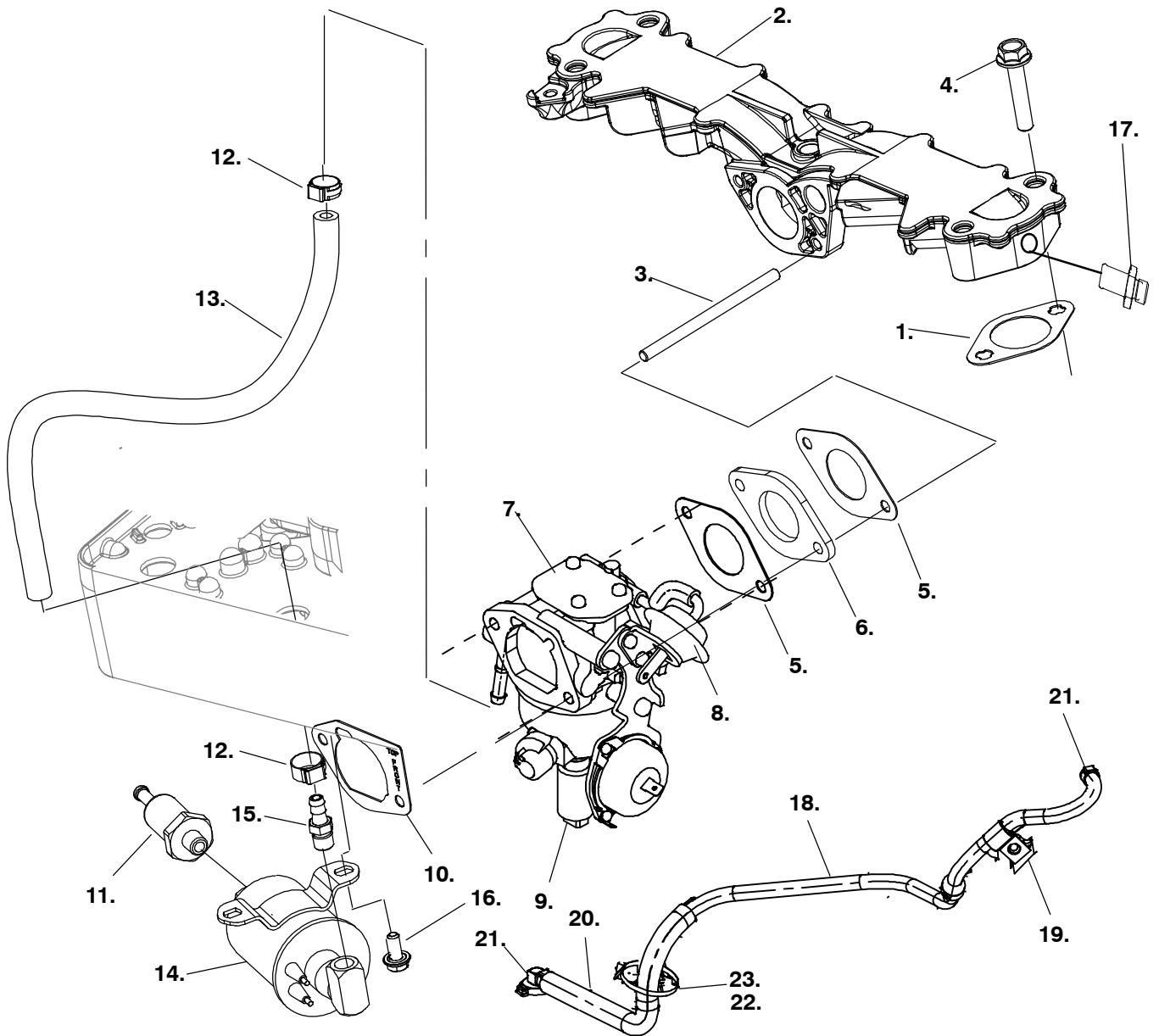
## Carburetor (Carb) (Spec A-E)

REF NO.	PART NO.	QTY USED	PART DESCRIPTION	REF NO.	PART NO.	QTY USED	PART DESCRIPTION
	541-0765	1	Kit, Carburetor (Includes Parts Marked *)	17.	541-1222	1	Kit, Choke
	541-1222	1	Kit, Choke	18.	A029S253	1	Fitting, Hose Connector – (See Note)
1.	154-3085	2	Gasket, Intake Manifold	19.			*Bolt (non-EVAP)
2.	154-3067-03	1	Manifold, Intake		0718-1017	1	(non-EVAP)
3.	520-1015	2	Stud (M6 x 1 x 96mm)		0154-3214	1	* Manifold, Exhaust (EVAP Only)
4.	815-0954-08	4	Screw, Flange Head Machine (M8 x 1.25 x 42mm)	20.	A029M248	1	Hose, Vent (EVAP Only)
5.	141-0982	2	*Gasket, Carburetor	21.	0518-0548-04	1	Clamp (EVAP Only)
6.	146-0773	1	Insulator, Carburetor	22.	0898-1348-01	1	Sleeving, Nylon (EVAP Only)
7.	146-0774	1	*Carburetor	23.	0503-1951-08	2	Clamp (EVAP Only)
8.	141-0983	1	Gasket, Carburetor	24.	0518-0533	1	Clip (EVAP Only)
9.	505-1573	1	Elbow, Steel Street (1/8)	25.	0332-1389	1	Tie, Cable (EVAP Only)
10.	149-2341-01	1	Filter, Fuel				
11.	503-1951-10	2	Clamp, Hose				
12.	503-2737-03	1	Hose, Fuel (1/4"ID x OD) (339mm)				
13.	A029F887	1	Pump, Fuel				
14.	505-1572	1	Connector, Hose				
15.	815-0753	2	Screw, Hex Washer Head Thread Form (M6 x 14mm)				
16.	146-0795	1	Cutoff, Fuel Solenoid				

**NOTE:** This adapter (Ref No. 18) replaces the secondary, redundant fuel filter. Refer to Product Support Bulletin No. CPGF-S-00000198-0 for more information.

\* – Use Thread Sealant 0518-0288 when installing

**Carburetor (Carb)**  
**(Begin Spec J)**



## Carburetor (Carb)

(Begin Spec J)

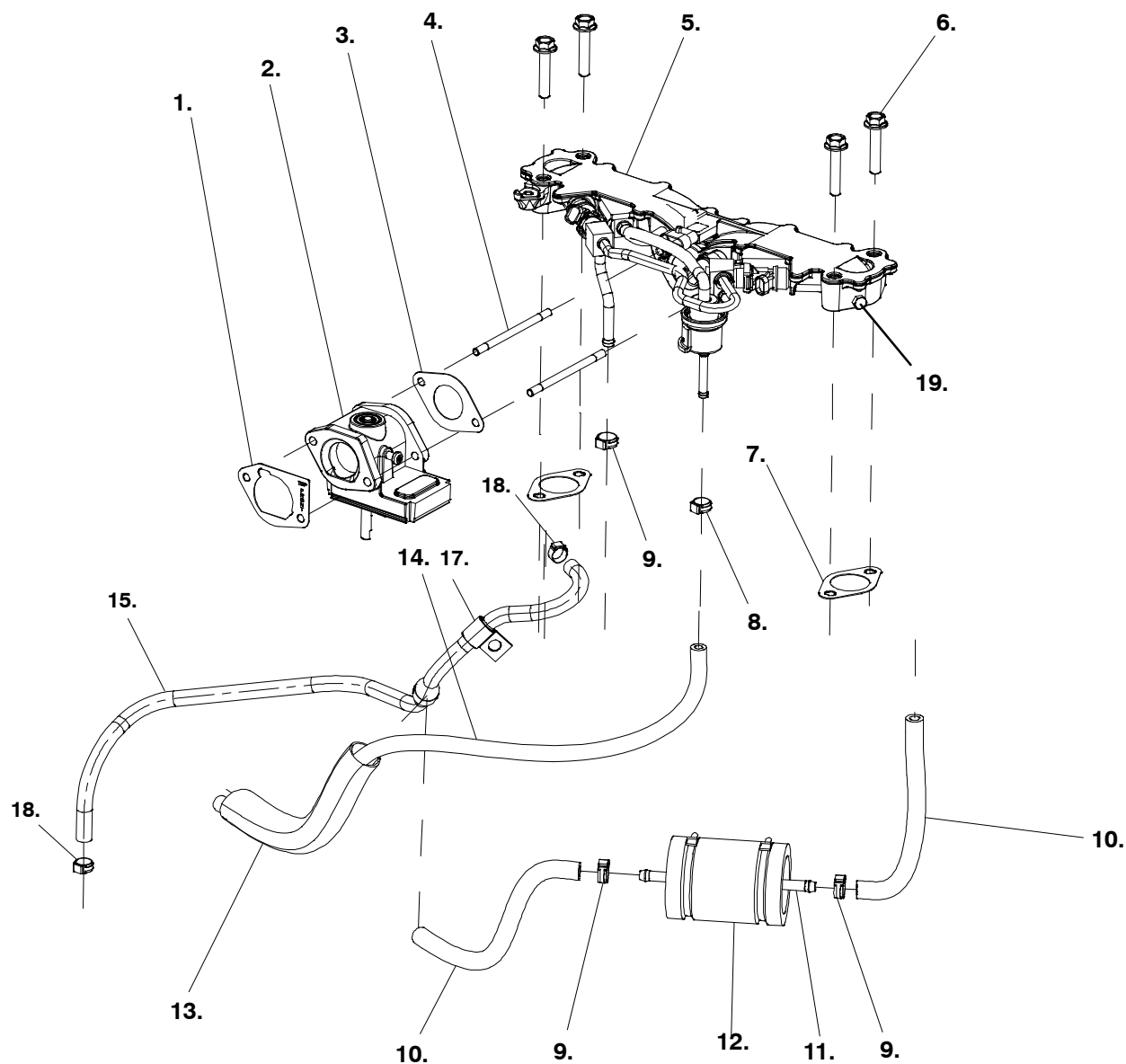
REF NO.	PART NO.	QTY USED	PART DESCRIPTION	REF NO.	PART NO.	QTY USED	PART DESCRIPTION
	A043B781	1	Kit, Carburetor (includes Parts Marked *) (Begin Spec K)	15.	505-1572	1	Connector, Hose
1.	154-3085	2	Gasket, Intake Manifold	16.	815-0753	2	Screw, Hex Washer Head Thread Form (M6 x 1 x 14mm)
2.	154-3067-01	1	Manifold, Intake	17.			#Bolt
3.	520-1015	2	Stud (M6 x 1 x 96mm)		0718-1017	1	(non-EVAP)
4.	815-0954-08	4	Screw, Flange Head Machine (M8 x 1.25 x 42mm)		0154-3214	1	* Manifold, Exhaust (EVAP Only)
5.	141-0982	2	*Gasket, Carburetor	18.	A030T642	1	Hose, Vent (EVAP Only)
6.	146-0773	1	Insulator, Carburetor	19.	0518-0548-04	1	Clamp (EVAP Only)
7.			Carburetor	20.	0898-1348-01	1	Sleeving, Nylon (EVAP Only)
	A029J450	1	(Spec J)	21.	0503-1951-08	2	Clamp (EVAP Only)
	A041P558	1	* (Spec K)	22.	0518-0533	1	Clip (EVAP Only)
	A040N099	1	(High Altitude)	23.	0332-1389	1	Tie, Cable (EVAP Only)
8.	A043B658	1	Kit, Choke				
9.	146-0795	1	Solenoid, Fuel				
10.	141-0983	1	*Gasket, Carburetor				
11.	149-2341	1	Filter, Fuel				
12.	503-1951-08	2	Clamp, Hose				
13.	A040F491	1	Hose, Fuel (1/4" ID x 1/2" OD) (339mm)				
14.	149-2620	1	Pump, Fuel				

\* - Parts Included in Kit

# - Use Thread Sealant 0518-0288 when installing

Note: High altitude carburetor is required to remain emissions compliant while operating above 5,000 feet for extended periods of time.

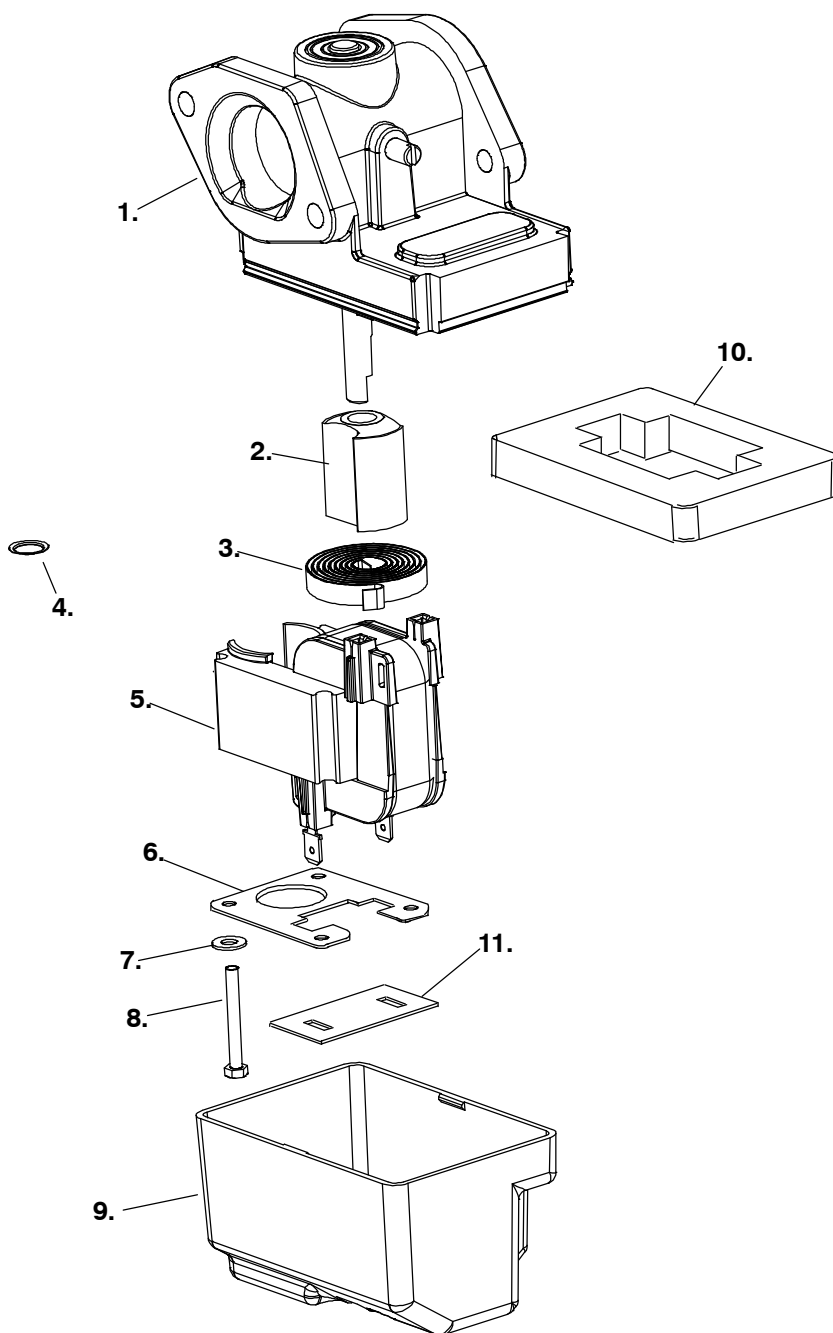
## Fuel System (EFI)



REF NO.	PART NO.	QTY USED	PART DESCRIPTION	REF NO.	PART NO.	QTY USED	PART DESCRIPTION
1.	141-0983	1	Gasket	13.	898-1347	1	Sleeve, Nylon
2.	146-0782-S0	1	Body, Throttle	14.	503-2737-01	1	Hose, Fuel (1/4"ID x 635mm)
3.	141-0982	1	Gasket	15.			Hose, Vent
4.	520-1015	2	Stud		A030T642	1	(EVAP Begin Spec J)
5.	154-3070	1	Manifold, Intake		A029M248	1	(EVPA Spec A-E)
6.	815-0954-08	4	Screw (M8x1.25x96mm)	16.	503-2737-01	1	Hose, Fuel (1/4"ID x 635mm)
7.	154-3085	2	Gasket	17.	518-0548-04	1	Clamp
8.	503-1951-10	2	Clamp	18.	503-1951-08	1	Clamp
9.	503-1951-13	4	Clamp	19.	0718-1017	1	*Bolt
10.	503-2736-02	1	Hose, Fuel (5/16"ID x 216mm)				
11.	147-0860	1	Filter, Fuel				
12.	895-0394	1	Isolator				

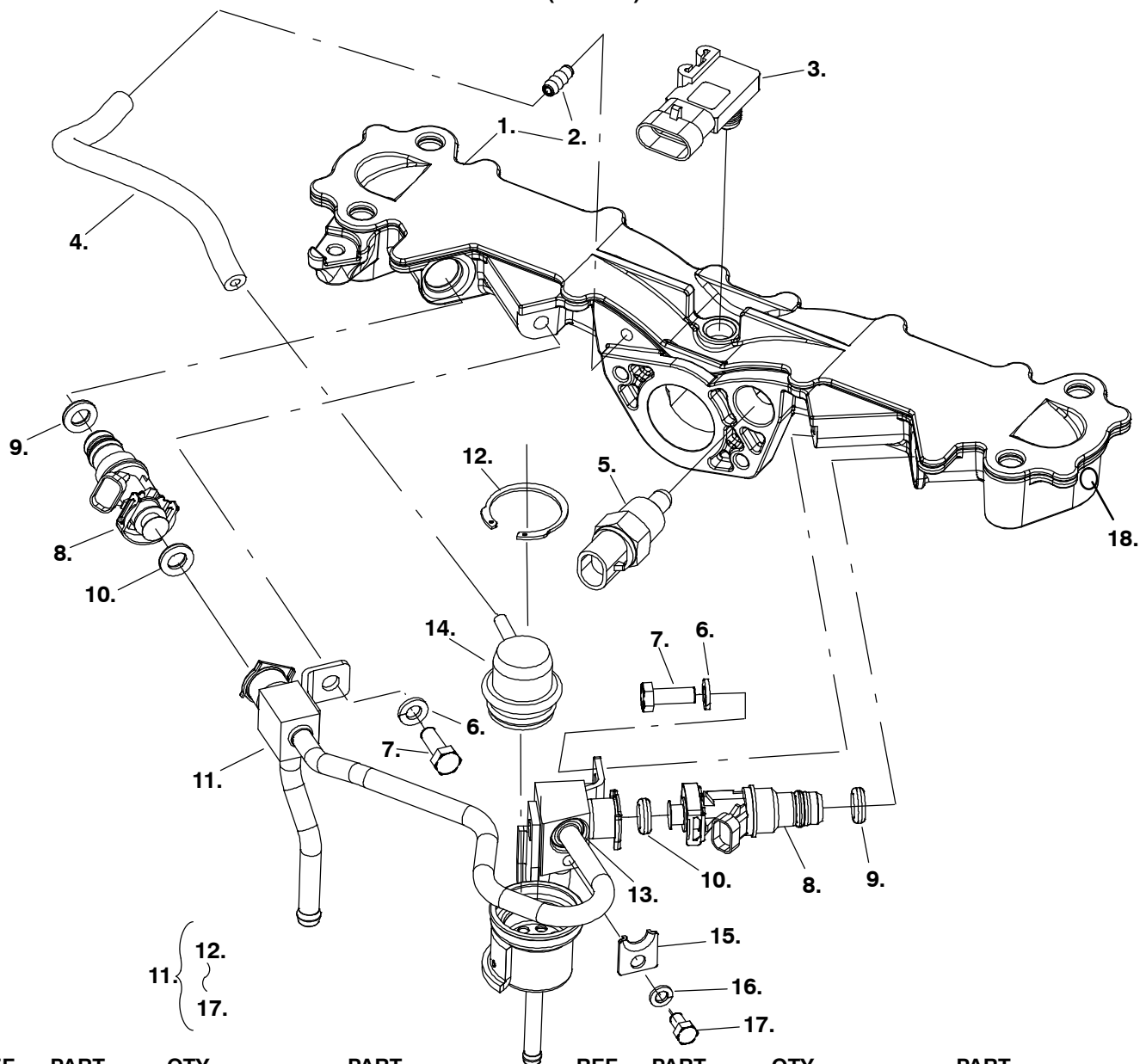
\* - Use Thread Sealant 0518-0288 when installing bolt

## Throttle Body Components (HGJAA)



REF NO.	PART NO.	QTY USED	PART DESCRIPTION	REF NO.	PART NO.	QTY USED	PART DESCRIPTION
	146-0782-S0	1	Body Assy, Throttle	7.	526-0003	4	Washer, Flat (3/16 ")
1.	146-0850	1	Body, Throttle	8.	800-3009	4	Screw, Hex Head Cap
2.	151-0718	1	Rotor, Governor	9.	151-0719	1	Cover
3.	151-0723	1	Spring, Torsion	10.	146-0843	1	Gasket, Throttle Body
4.	518-0672	1	Ring, Retainer	11.	146-0844	1	Gasket, Throttle
5.	150-2685	1	Stator, Wound				
6.	146-0786	1	Retainer, Screw				

## Intake Manifold EFI (HJGAA)

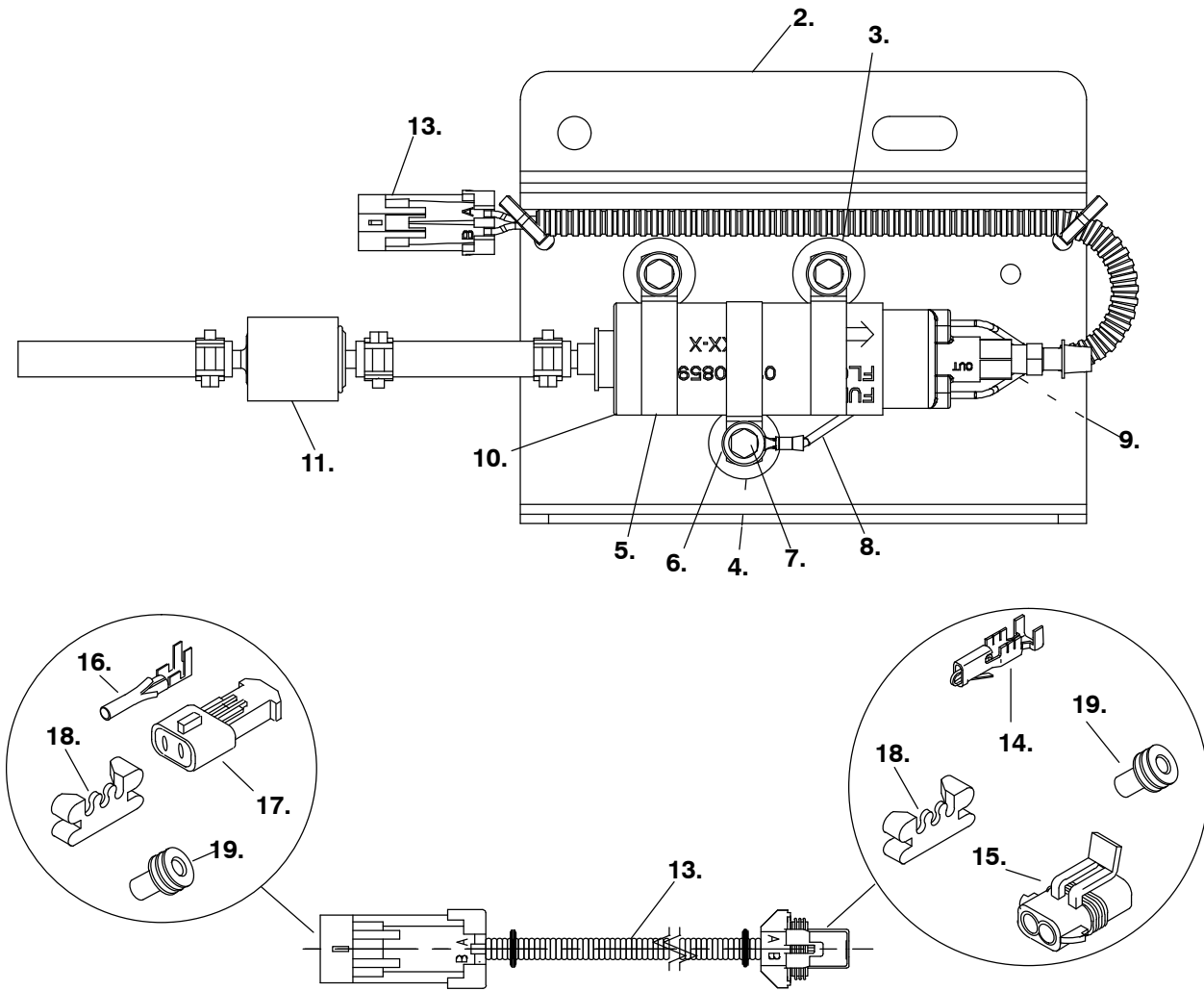


REF NO.	PART NO.	QTY USED	PART DESCRIPTION	REF NO.	PART NO.	QTY USED	PART DESCRIPTION
	154-3070	1	Rail Assy, Fuel (Includes Parts Marked *)	11.	154-3070	1	*Manifold Rail Assy, Intake
1.	154-3067-04	1	Manifold Assy, Intake (Includes Hose Connector)	12.	147-0868	1	*Ring, Pressure Regulator Snap
2.	502-1314	1	Connector, Hose	13.	147-0865	1	*O'Ring (Not Part of Fuel Injector)
3.	193-0469	1	Sensor, Map	14.	148-1337	1	*Regulator, Fuel Pressure
4.	503-2848	1	Hose, Vacuum	15.	147-0866	1	*Clamp, Fuel Rail
5.	193-0480	1	Sensor, Manifold Air Temperature	16.	850-2005	1	*Washer, Split Lock (M5)
6.	850-2006	2	Washer, Split Lock (M6)	17.	718-1002	1	*Screw, Hex Head Cap (M5 x 0.8 x8mm)
7.	800-2033	2	Screw, Hex Head Cap (M6 x 1 x 16mm)	18.	0718-1017	1	#Bolt
8.	147-0856	2	Injector, Fuel (Includes Parts Marked #)				
9.	147-0864	2	#O'Ring, Injector				
10.	147-0865	2	#O'Ring, Injector				

\* - Parts Included in Fuel Rail Assy.  
See Remote Fuel Pump Kit for Fuel Pump.

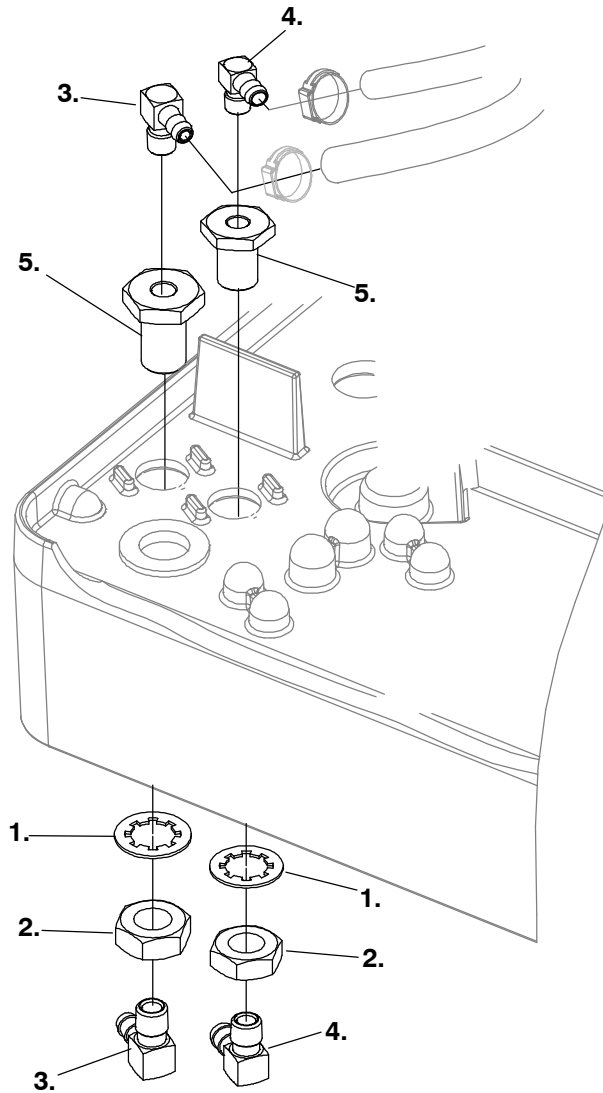
# - Use Thread Sealant 0518-0288 when installing bolt

## Remote Fuel Pump Kit EFI (HGJAA)



REF NO.	PART NO.	QTY USED	PART DESCRIPTION	REF NO.	PART NO.	QTY USED	PART DESCRIPTION
1.	541-1002	1	Kit, Remote Pump	12.	502-1511	1	Connector, Hose (Packed Loose in Kit)
		1	Assy, Remote Fuel Pump Includes Models 600, 1273 97 and 1276	13.	338-3960-01	1	Harness, Remote Pump (15') (Includes Parts Marked #)
2.	149-2640-02	1	Bracket, Pump	14.	323-1709	2	Terminal, Socket
3.	402-0760	3	Isolator, Vibration	15.	323-1884	1	Connector, 2 Pin
4.	870-0065	3	Nut, Hex Lock (1/4-20)	16.	323-1707	2	Terminal, Pin
5.	503-2190	3	Clamp, Loop(1.5 OD)	17.	323-1889	1	Connector, 2 Pin
6.	526-0018	1	Washer, Flat (14")	18.	323-1890	2	Housing, Lock
7.	821-0009	3	Screw, Hex Head (1/4-20 x 1.5 ")	19.	323-1708	4	Seal, Cable
8.	226-4813	1	Lead, Ground	20.	332-0941	1	Tie, Cable (Not shown)
9.	815-0770	1	Screw, Hex Washer Head Thread Forming (10-32 x 1/2")	21.	862-0003	2	Nut, Hex (3/8-16) (Not shown)
10.	147-0859	1	Pump, Fuel (EFI)	* - All Parts Included in Remote Fuel Pump Kit Some Parts not Shown(Instruction Sheet Included in Kit)			
11.	149-2661	1	Filter, Fuel				

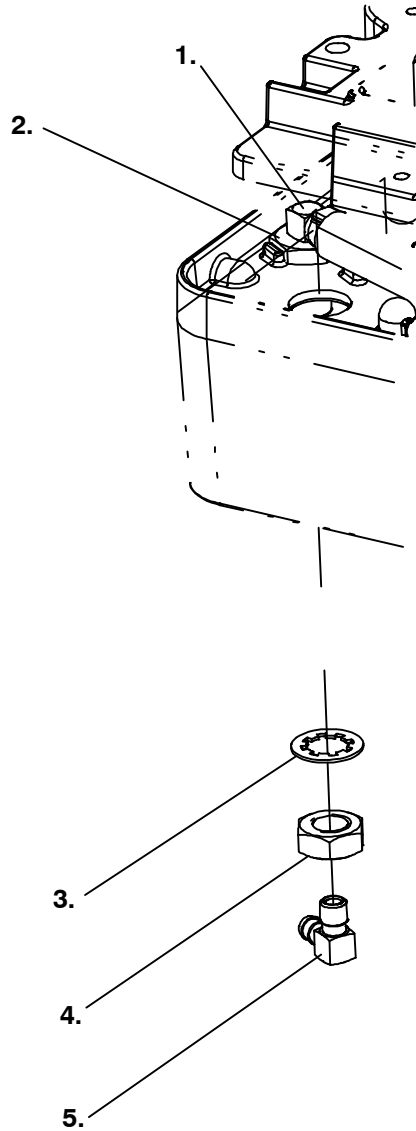
## Bulkhead EFI (HGJAA)



REF NO.	PART NO.	QTY USED	PART DESCRIPTION	REF NO.	PART NO.	QTY USED	PART DESCRIPTION
1.	854-0028	2	Washer, IT Lock (5/8")	4.	502-0313-02	2	Elbow, 90° Supply Hose (5/16" Hose ID)
2.	868-0007	2	Nut, Hex Jam (5/8-18)	5.	502-1296-02	2	Fitting, Bulkhead
3.	502-0313	2	Elbow, 90° Return Hose (1/4" Hose ID)				

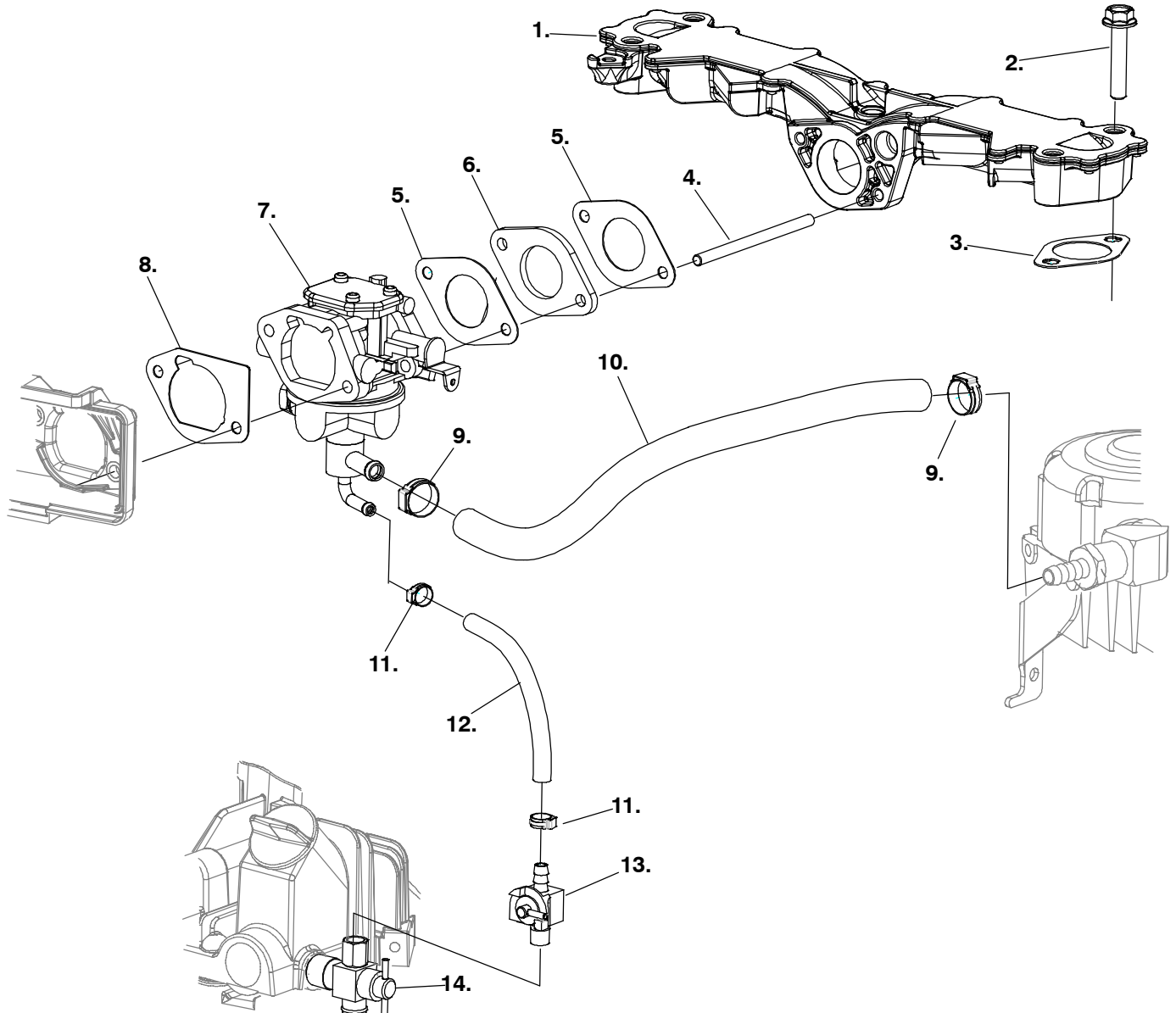


## Bulkhead (EVAP Only)



REF NO.	PART NO.	QTY USED	PART DESCRIPTION	REF NO.	PART NO.	QTY USED	PART DESCRIPTION
1.	0502-1296-02	1	Fitting, Bulkhead	4.	0868-0007	1	Nut Hex Jam (5/8-18)
2.	0502-0313	1	Elbow, 90° Hose (1/4" Hose ID)	5.	0502-0313-02	1	Elbow, 90° Hose (5/16" Hose ID)
3.	0854-0028	1	Washer, IT Lock (5/8")				

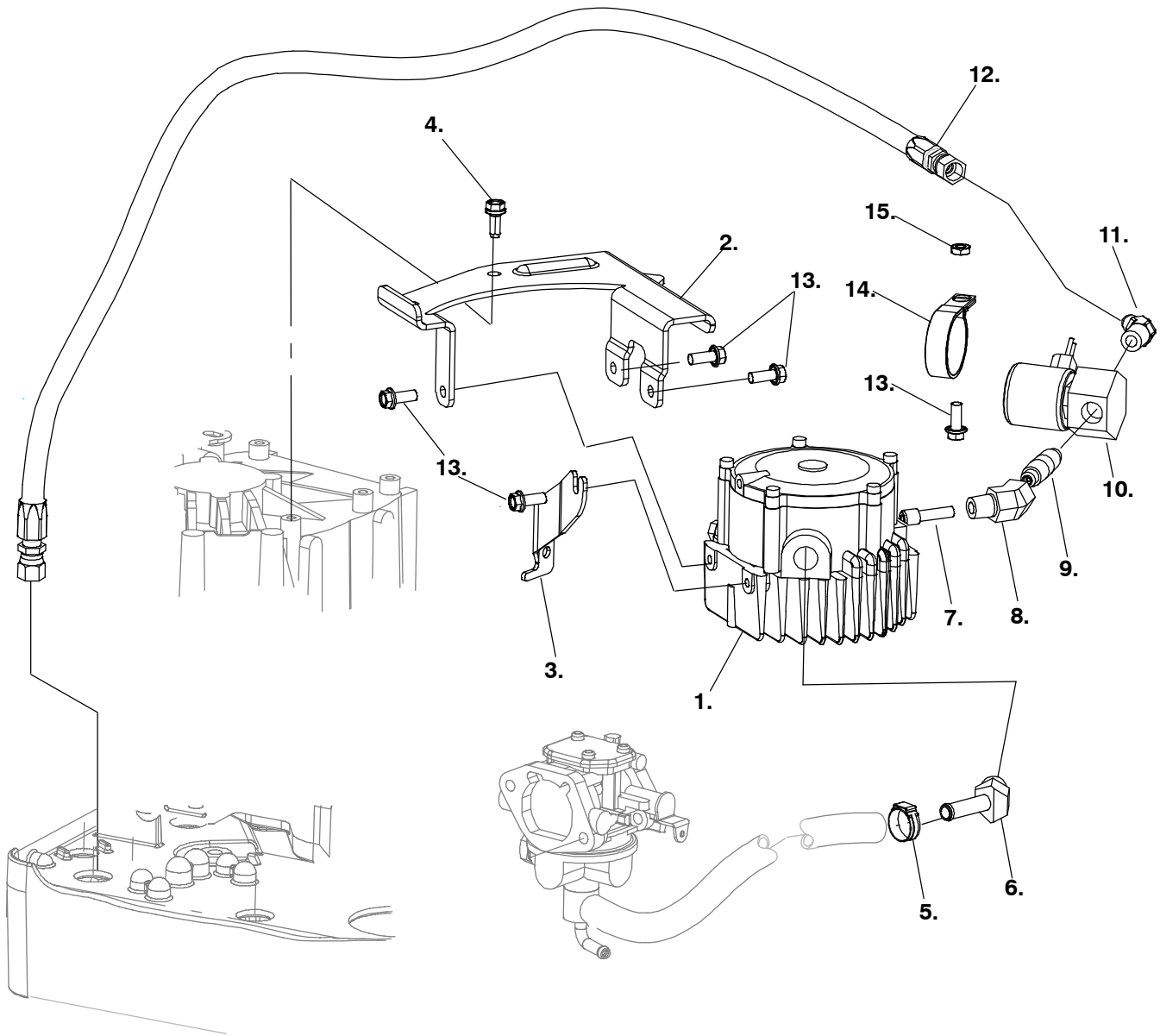
## High Pressure Mixer (LP Liquid)



REF NO.	PART NO.	QTY USED	PART DESCRIPTION	REF NO.	PART NO.	QTY USED	PART DESCRIPTION
1.	154-3067-03	1	Manifold, Intake (See Intake Manifold Page)	8.	141-0983	1	Gasket, Carburetor
2.	815-0954-08	4	Screw, Flange Head Machine (M8 x 1.25 x 42mm)	9.	503-1951-20	2	Clamp, Hose
3.	154-3085	2	Gasket, Intake Manifold	10.	503-2143-01	1	Hose, LP
4.	520-1015	2	Stud (M6 x 1 x 96mm)	11.	503-1952-06	2	Clamp, Hose
5.	141-0982	2	Gasket, Carburetor	12.	503-2171-01	1	Hose, Drain
6.	146-0773	1	Insulator, Carburetor	13.	504-0203	1	Valve, Fuel Shutoff
7.	146-0790	1	5.5HGJAA1116, 1275, 5.5HGJAB1118, 1271 6.5HGJAA896, 1278 6.5HGJAB902, 1037	14.	504-0204	1	Valve, Shutoff
	146-0796	1	5.5HGJAC1120, 1266 6.5HGJAC908, 1269				

# High Pressure Converter

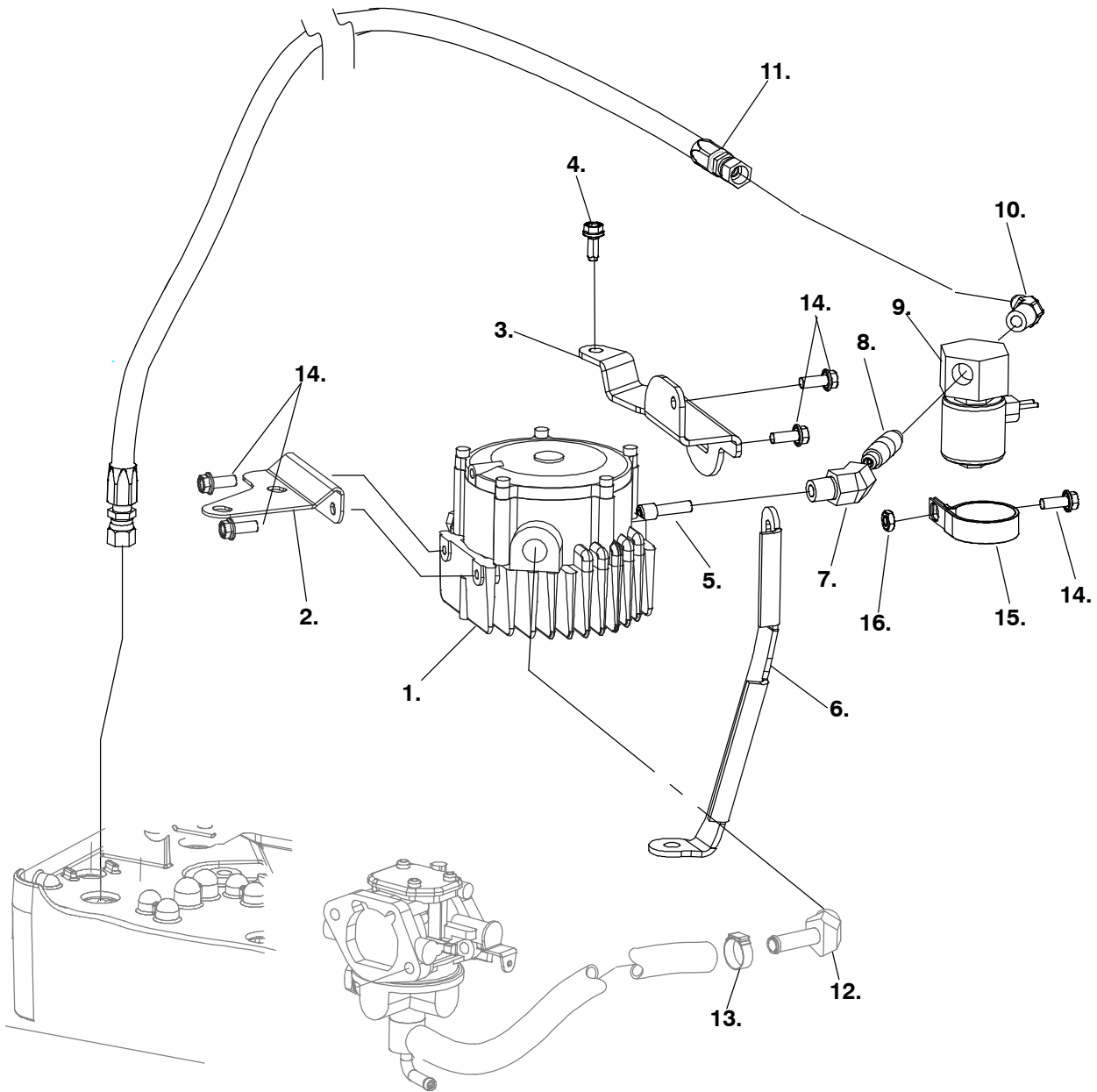
HGJAB  
(LP Liquid)



REF NO.	PART NO.	QTY USED	PART DESCRIPTION	REF NO.	PART NO.	QTY USED	PART DESCRIPTION
1.	148-1258	1	Converter	10.	307-2955	1	Valve, Fuel
2.	148-1206-02	1	Bracket, Converter (IMPCO)	11.	505-1589	1	Elbow, Male/Female (1/4 NPT)
3.	148-1207-02	1	Bracket, Converter (IMPCO)	12.	503-2144-01	1	Line, Fuel
4.	815-0941-03	2	Screw Hex Head (M6 x 16mm)	13.	821-0018	5	Screw, Locking Head (1/4-20 x 5/8")
5.	503-1951-20	1	Clamp, Hose	14.	518-0548-44	1	Clamp
6.	505-1604	1	Elbow, Pipe 45°	15.	870-0212	1	Nut, Hex Jam (1/4-20)
7.	505-2023	1	Nipple, Pipe(LP)				
8.	505-1585	1	Adapter, Elbow				
9.	505-2026	1	Nipple, Pipe (W/Sealant)				

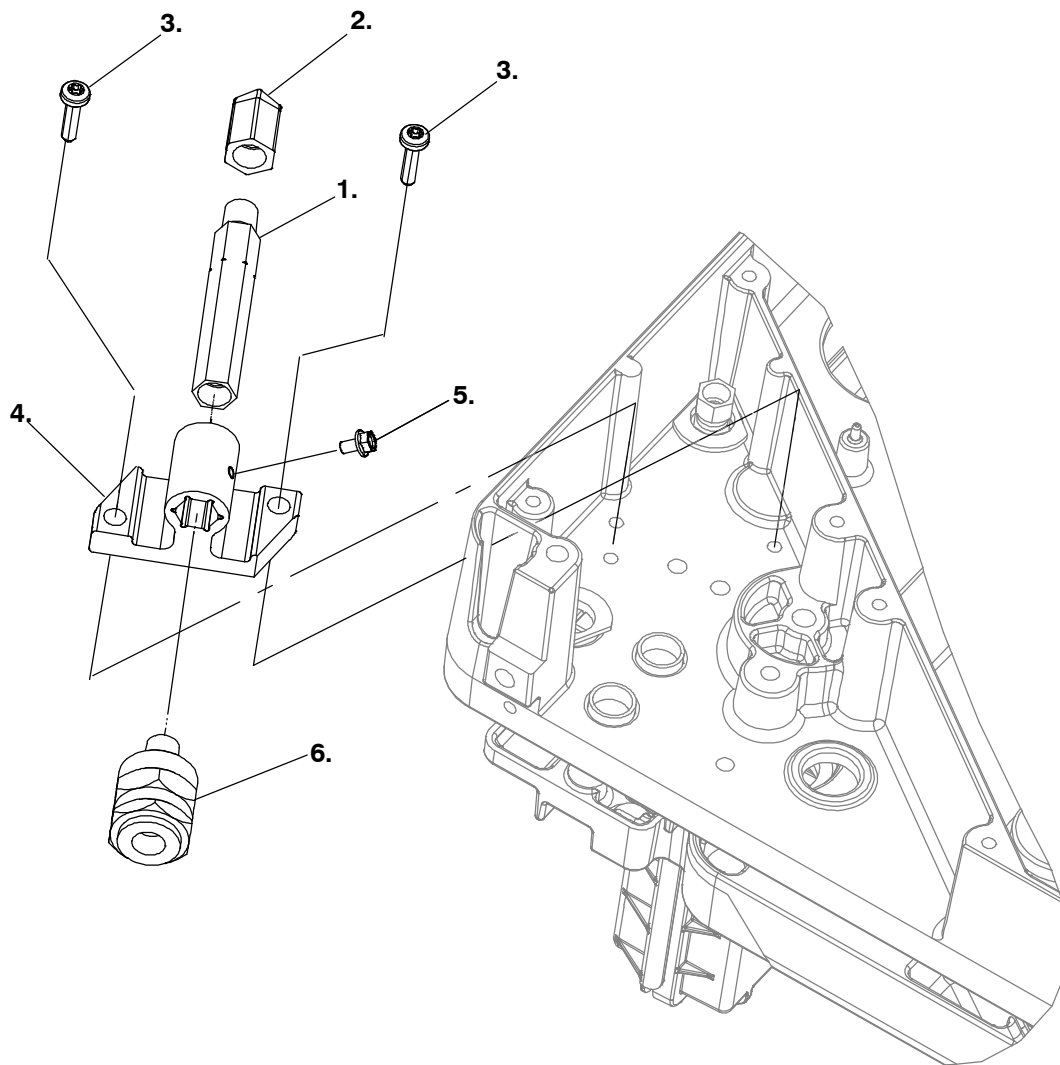
# High Pressure Converter

LP Liquid  
(HGJAC)



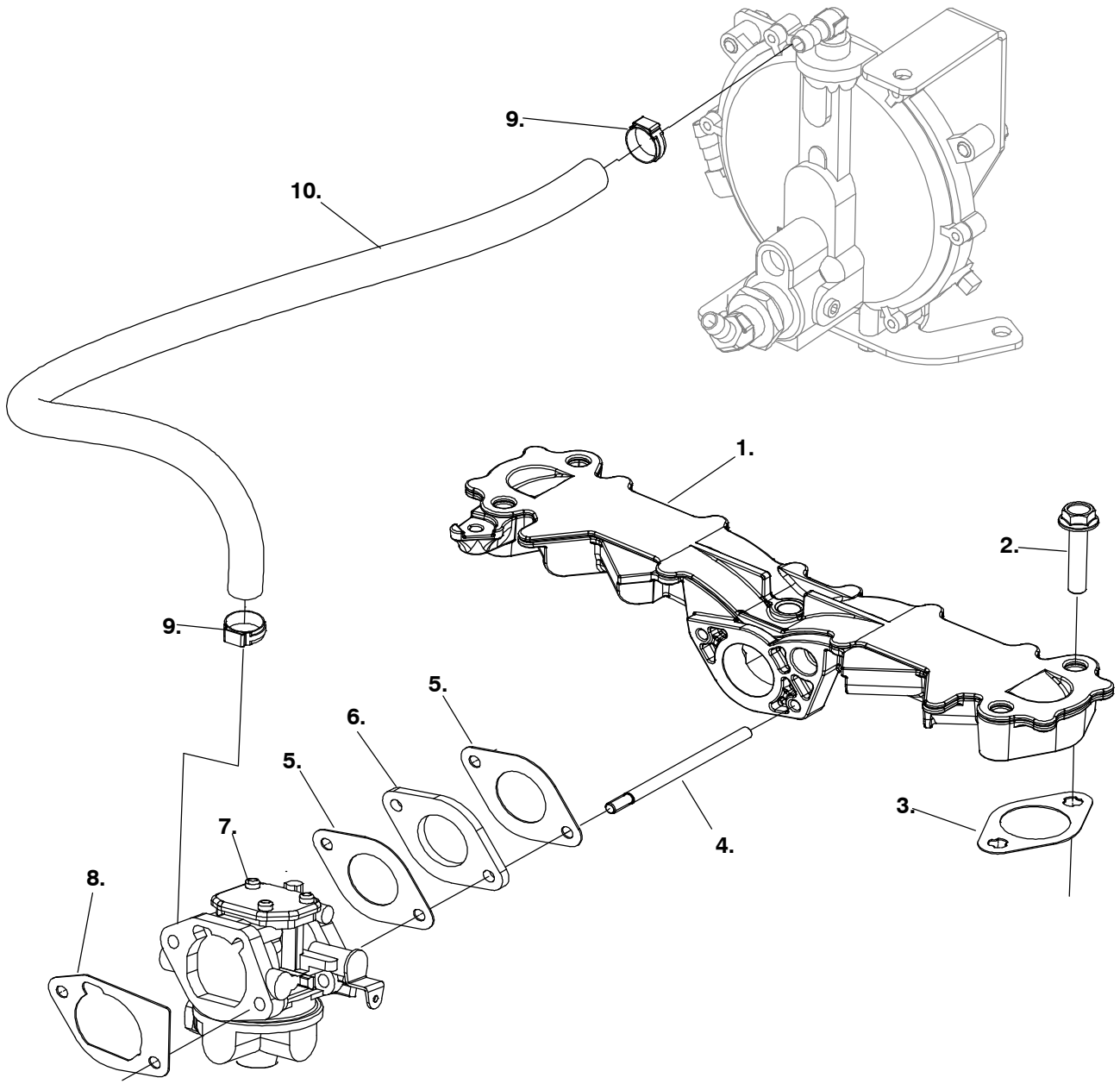
REF NO.	PART NO.	QTY USED	PART DESCRIPTION	REF NO.	PART NO.	QTY USED	PART DESCRIPTION
1.	148-1258	1	Converter	10.	505-1589	1	Adapter, Elbow
2.	148-1205-02	1	Bracket, Converter (IMPCO)	11.	503-2144-01	1	Line, Fuel
3.	148-1215-02	1	Bracket, Converter (IMPCO)	12.	505-1604	1	Elbow, Pipe 45°
4.	815-0941-03	1	Screw Hex Head (M6 x 16mm)	13.	503-1951-20	1	Clamp, Hose
5.	505-2023	1	Nipple, Pipe (LP)	14.	821-0018	5	Screw, Locking Head (1/4-20 x 5/8")
6.	148-1208-02	1	Bracket, Converter	15.	518-0548-44	1	Clamp
7.	505-1585	1	Elbow, Male/Female (1/4 NPT)	16.	870-0212	1	Nut, Hex Jam (1/4-20)
8.	505-2026	1	Nipple, Pipe (W/Sealant)				
9.	307-2955	1	Valve, Fuel				

## Fuel Valve Shutoff (LP Liquid)



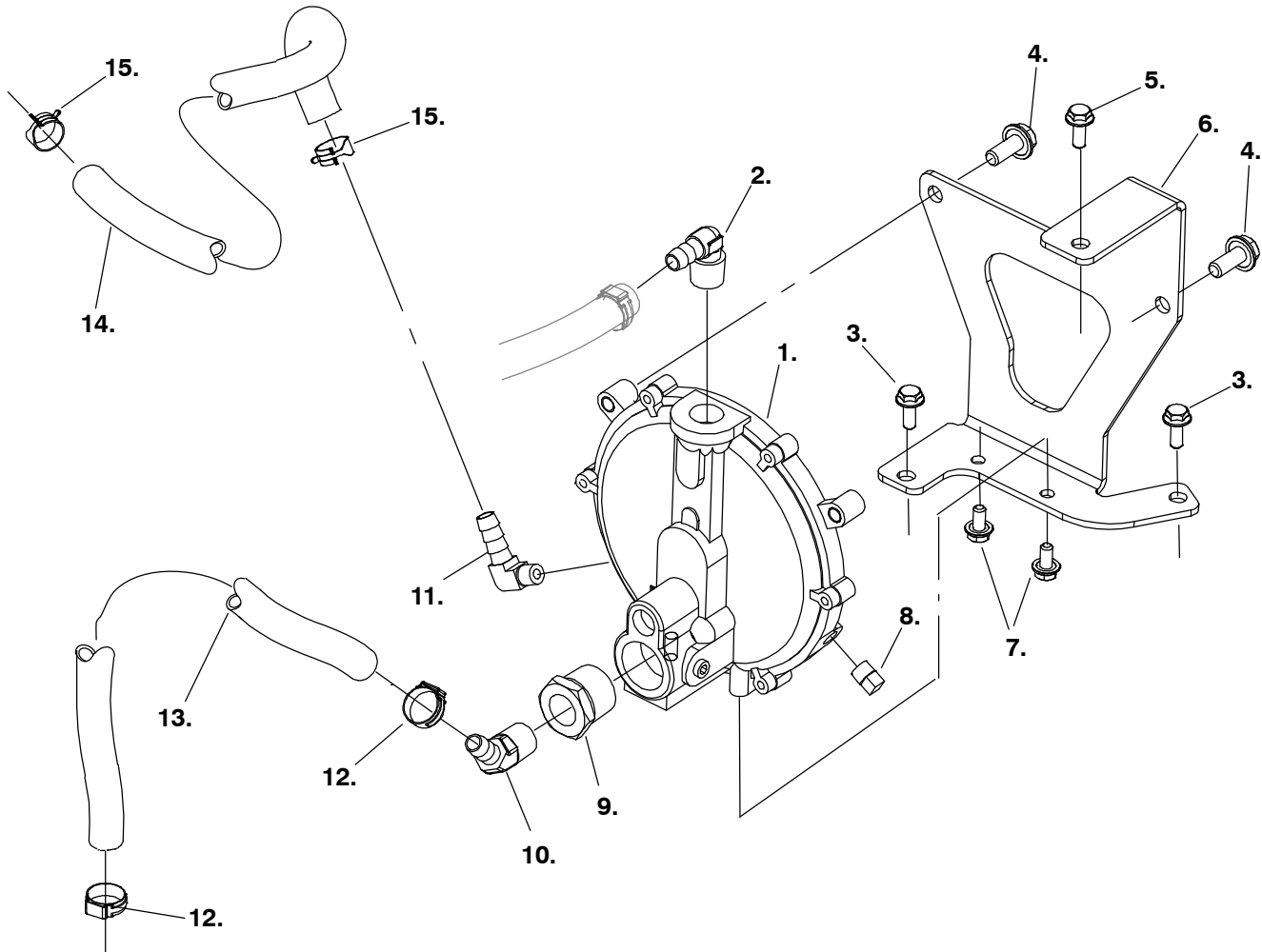
REF NO.	PART NO.	QTY USED	PART DESCRIPTION	REF NO.	PART NO.	QTY USED	PART DESCRIPTION
1.	505-1587	1	Adapter, Male/Female (1/4NPT)	4.	149-2645	1	Bracket, Mounting
2.	502-1329-01	1	Elbow, 90° Pipe	5.	821-0004	1	Screw, Lock (10-32 UNF x 5/6)
3.	823-0003-04	2	Screw, Pan Head (M6 x 1 x 25mm)	6.	149-2648	1	Filter, LP Fuel

## Low Pressure Mixer (LP Vapor)



REF NO.	PART NO.	QTY USED	PART DESCRIPTION	REF NO.	PART NO.	QTY USED	PART DESCRIPTION
1.	154-3067-03	1	Manifold, Intake	6.	146-0773	1	Insulator, Carburetor
2.	815-0954-08	4	Screw, Flange Head Machine (M8 x 1.25 x 42mm)	7.	146-0791	1	Mixer
3.	154-3085	2	Gasket, Intake Manifold	8.	141-0983	1	Gasket, Carburetor
4.	520-1015	2	Stud (M6 x 1 x 96mm)	9.	503-1951-20	2	Clamp, Hose
5.	141-0982	2	Gasket, Carburetor	10.	503-2143-03	1	Hose (550mm)

## Low Pressure Regulator (LP Vapor)

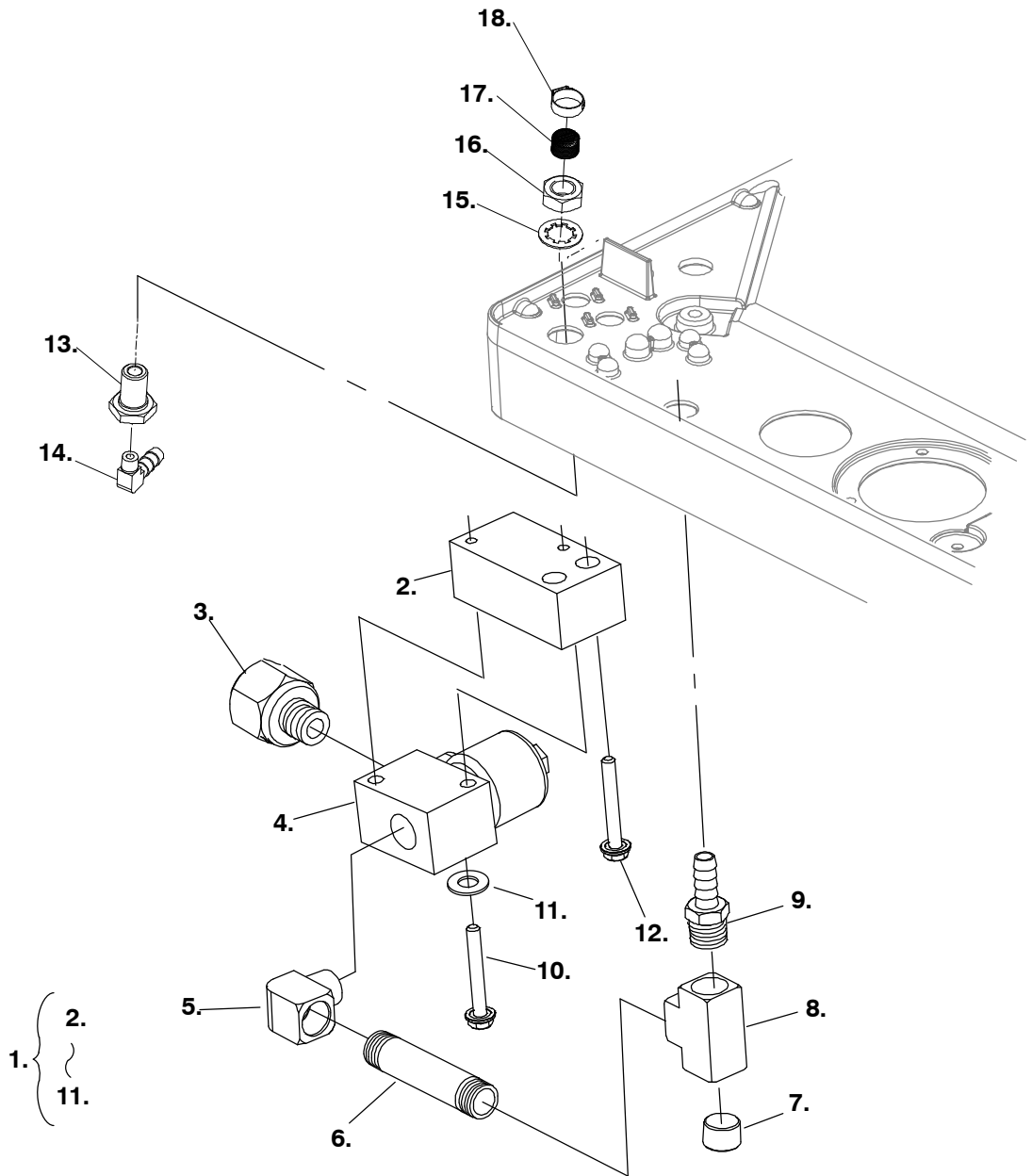


REF NO.	PART NO.	QTY USED	PART DESCRIPTION	REF NO.	PART NO.	QTY USED	PART DESCRIPTION
	148-1131-S0	1	Assy, Regulator (Includes Parts Marked*)	8.	505-0057	1	Plug, Square Head
1.	148-1145	1	Regulator	9.	502-1344-01	1	Bushing, Reducer
2.	A029X211	1	Elbow, 90° Pipe	10.	502-1346-01	1	Elbow, 45° Pipe
3.	815-0753	2	Screw, Hex Washer Head Thread Form (M6 x 14mm)	11.	502-1353-01	1	Elbow, 90° Pipe
4.	821-2046	2	Screw, Lock Flange (M8 X 1.25 x 20mm)	12.	503-1951-20	2	Clamp, Hose
5.	821-2033	1	Screw, Lock Flange	13.	503-2143-02	1	Hose (690mm)
6.	148-1303-02	1	Bracket, Regulator	14.	503-2191	1	Hose, Bulk (3.24 feet)
7.	821-2096-02	2	Screw, Lock Flange (M6 X 1 X 12mm)	15.	503-1445-04	2	Clamp, Hose

\* - All Parts Included in Assembly 148-1131.

# Solenoid Shutoff Valve

(LP Vapor)

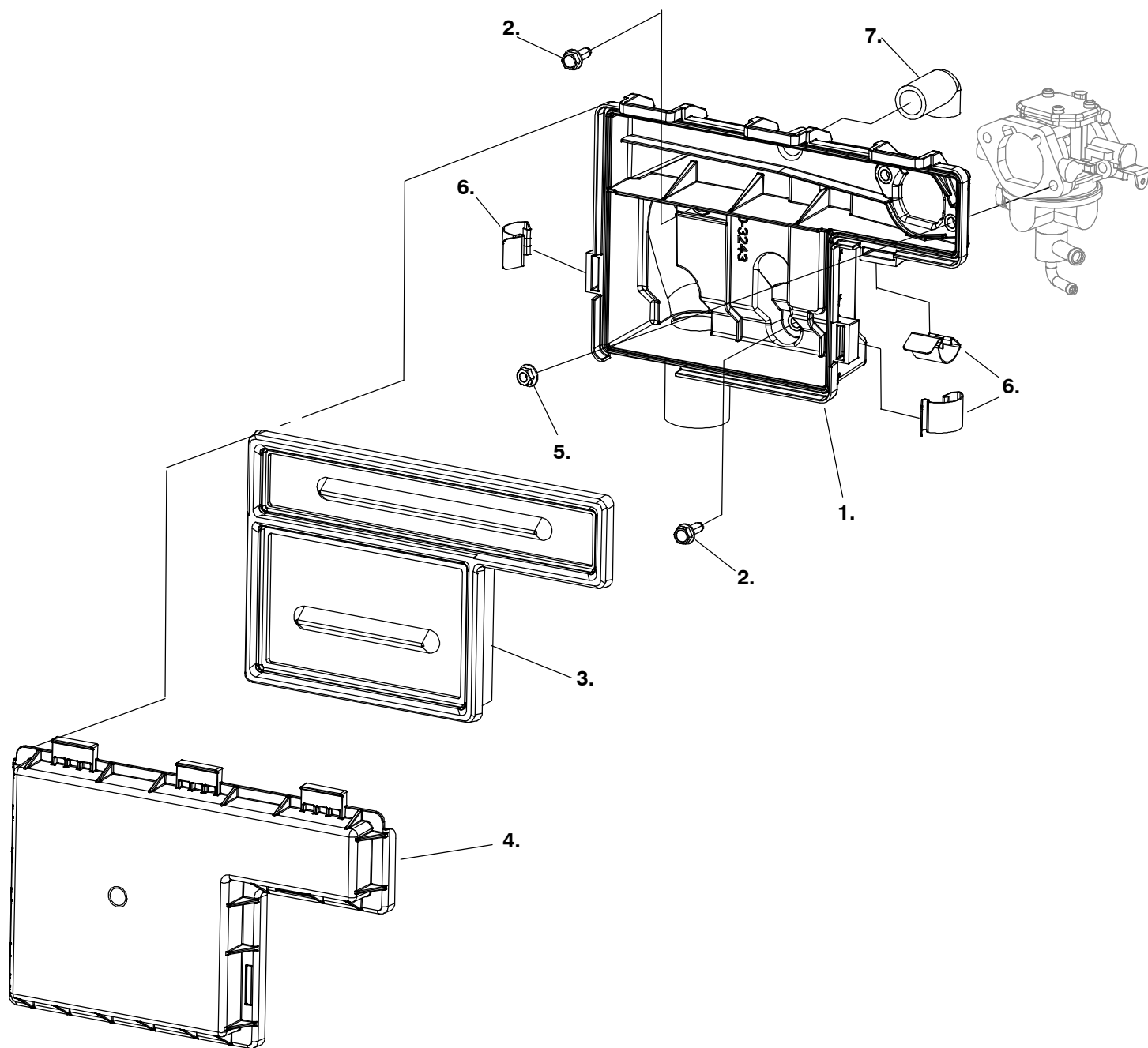


REF NO.	PART NO.	QTY USED	PART DESCRIPTION	REF NO.	PART NO.	QTY USED	PART DESCRIPTION
1.	307-2938-S0	1	Solenoid Assy, Shutoff (Includes Parts Marked *)	11.	526-0018	2	*Washer
2.	149-2628	1	*Spacer, Solenoid	12.	815-0776	2	*Screw, Hex Head Flange (M8 x1.25mm)
3.	502-1366	1	*Adapter, Pipe (3/8 NPT x 3/8 NPT)	13.	502-1296-02	1	Fitting, Bulkhead
4.	307-2935	1	*Valve, Fuel Shutoff	14.	502-1353-01	1	Elbow, 90° Pipe
5.	502-1347-01	1	*Elbow, 90° Street	15.	854-0028	1	Washer, IT Lock (5/8")
6.	502-1348-01	1	*Nipple, Pipe	16.	868-0007	1	Nut, Hex Jam (5/8-18)
7.	502-1339	1	*Plug, Pipe	17.	148-1158	1	Screen, Vent
8.	502-0090	1	*Tee, Pipe	18.	503-1951-20	1	Clamp, Hose
9.	502-1367-04	1	*Adapter, Pipe				
10.	800-2040	2	Screw, Hex Head Flange (M8 x 1-1/4 x 45mm)				

\* - Parts Included in Shutoff Solenoid.

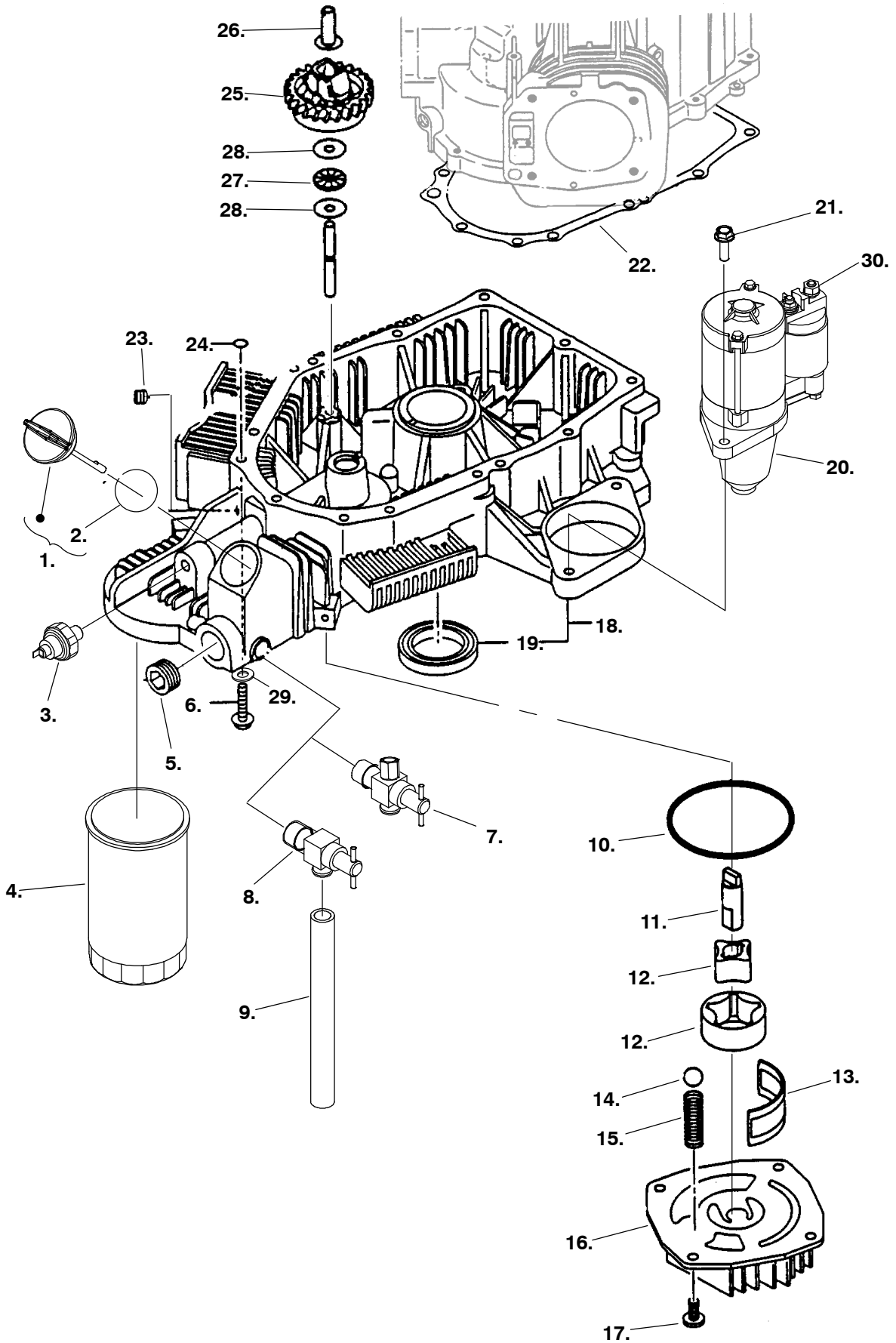


## Air Cleaner



REF NO.	PART NO.	QTY USED	PART DESCRIPTION	REF NO.	PART NO.	QTY USED	PART DESCRIPTION
1.	140-3123	1	Housing, Air Cleaner	4.	140-3122	1	Cover, Air Cleaner
2.	815-0941-03	2	Screw, Hex Washer Head Thread Form (M6 x 1 x 18mm)	5.	870-2065-02	2	Nut, Hex Flange
3.	140-3116	1	Element, Air Cleaner	6.	140-3121	3	Clip, Metal
				7.	123-2109	1	Tube, Breather

# Main Bearing Cover

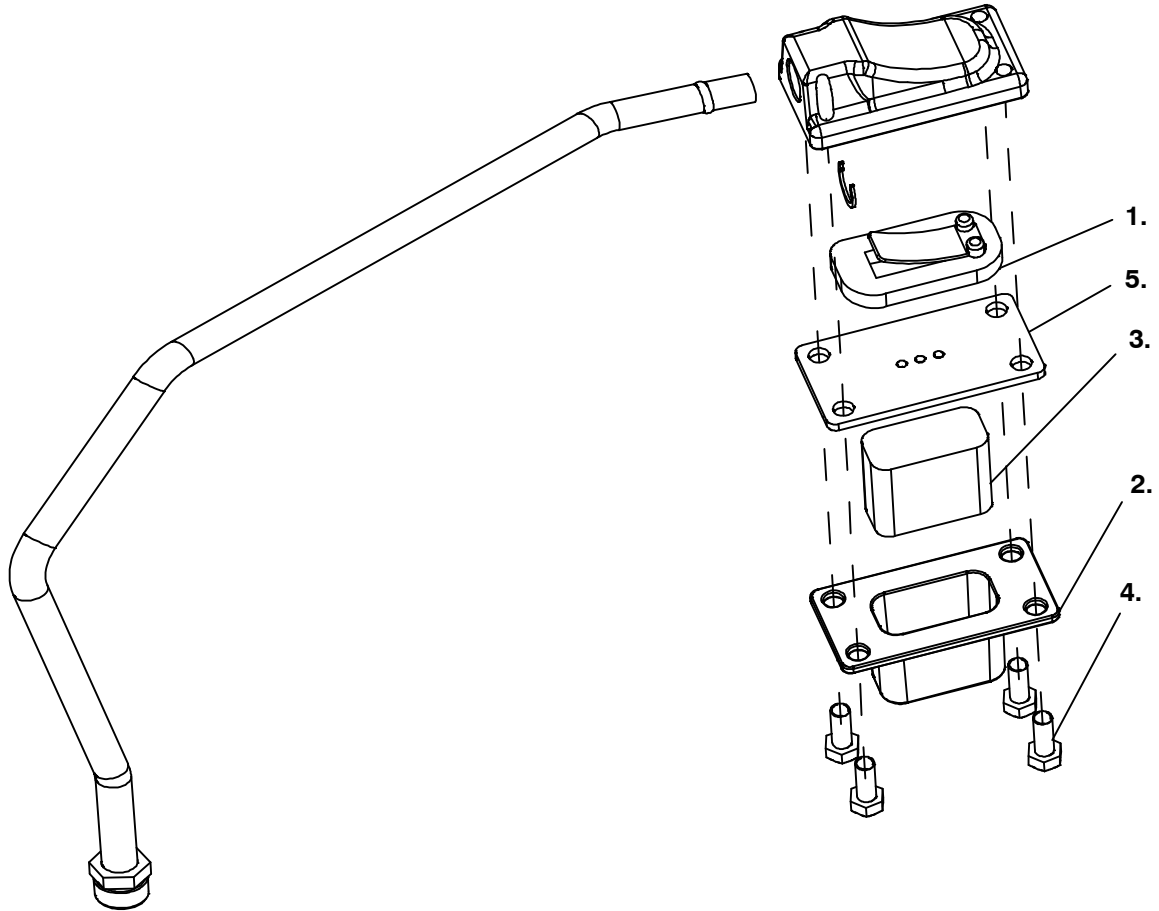


## Main Bearing Cover

REF NO.	PART NO.	QTY USED	PART DESCRIPTION	REF NO.	PART NO.	QTY USED	PART DESCRIPTION
1.	187-6266	1	Gauge, Oil (Includes O'Ring)				Oil Seal)
2.	509-0307	1	O'Ring	19.	187-6228	1	Seal, Oil
3.	187-6265	1	Switch, Oil Pressure	20.	A029P528	1	Starter)
4.	122-0836	1	Filter, Oil	21.	815-0954-03	2	Screw, Flange Head Machine (M8 x 1.25 x 25mm)
5.	187-6231	1	Plug, Drain	22.	187-9170	1	Gasket, Main Bearing Cover
6.	800-6361	10	Bolt, Flange (M8 x75mm)	23.	187-6005	1	Plug, Blind
7.	504-0204	1	Valve, Oil Shutoff (LP Liquid)	24.	187-6239	2	O-Ring
8.	504-0150	1	Valve, Oil Drain (LP Vapor Gasoline, EFI)	25.	187-6229	1	Gear, Governor
9.	503-0103	1	Hose, Oil Drain (6")	26.	187-6011	1	Sleeve, Governor
10.	187-6108	1	O-Ring	27.	187-6036	1	Bearing, Thrust
11.	187-6263	1	Shaft, Oil Pump	28.	187-6012	2	Washer
12.	187-6262	1	Rotor, Outer/Inner	29.	526-0065	1	Washer
13.	187-6268	1	Filter, Oil Pump	30.	850-2008	1	Nut, Flange
14.	187-6112	1	Ball, Steel				
15.	187-6111	1	Spring, Relief Valve				
16.	102-1492	1	Cover, Oil Pump				
17.	187-6269	4	Bolt, Flange				
18.	102-1491	1	Cover, Main Bearing (Includes				

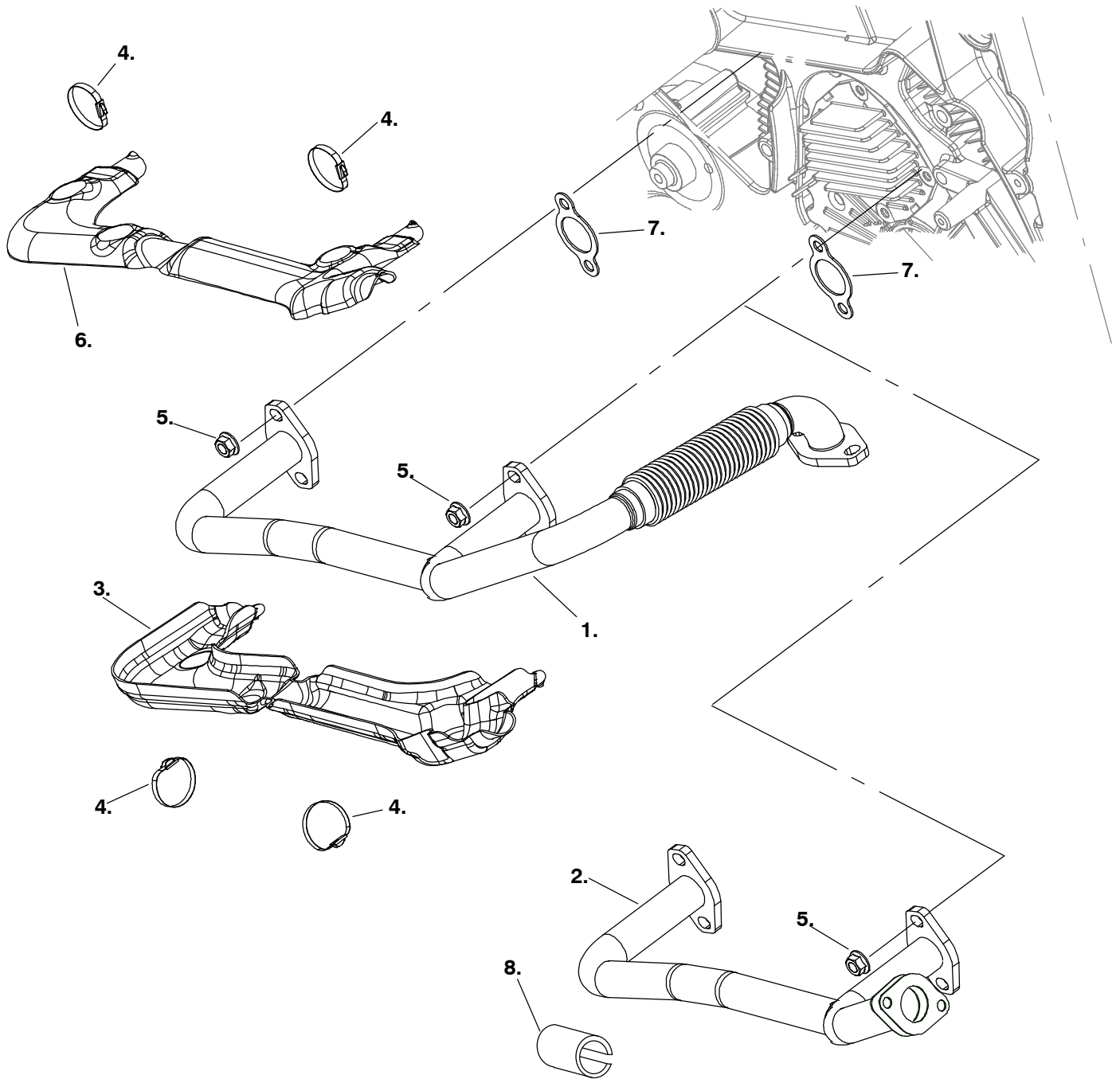
\*2 Qty O-Ring (18706239) only required for main bearing cover with machine O-Ring feature.

## Secondary Air-Module (Begin Spec J)



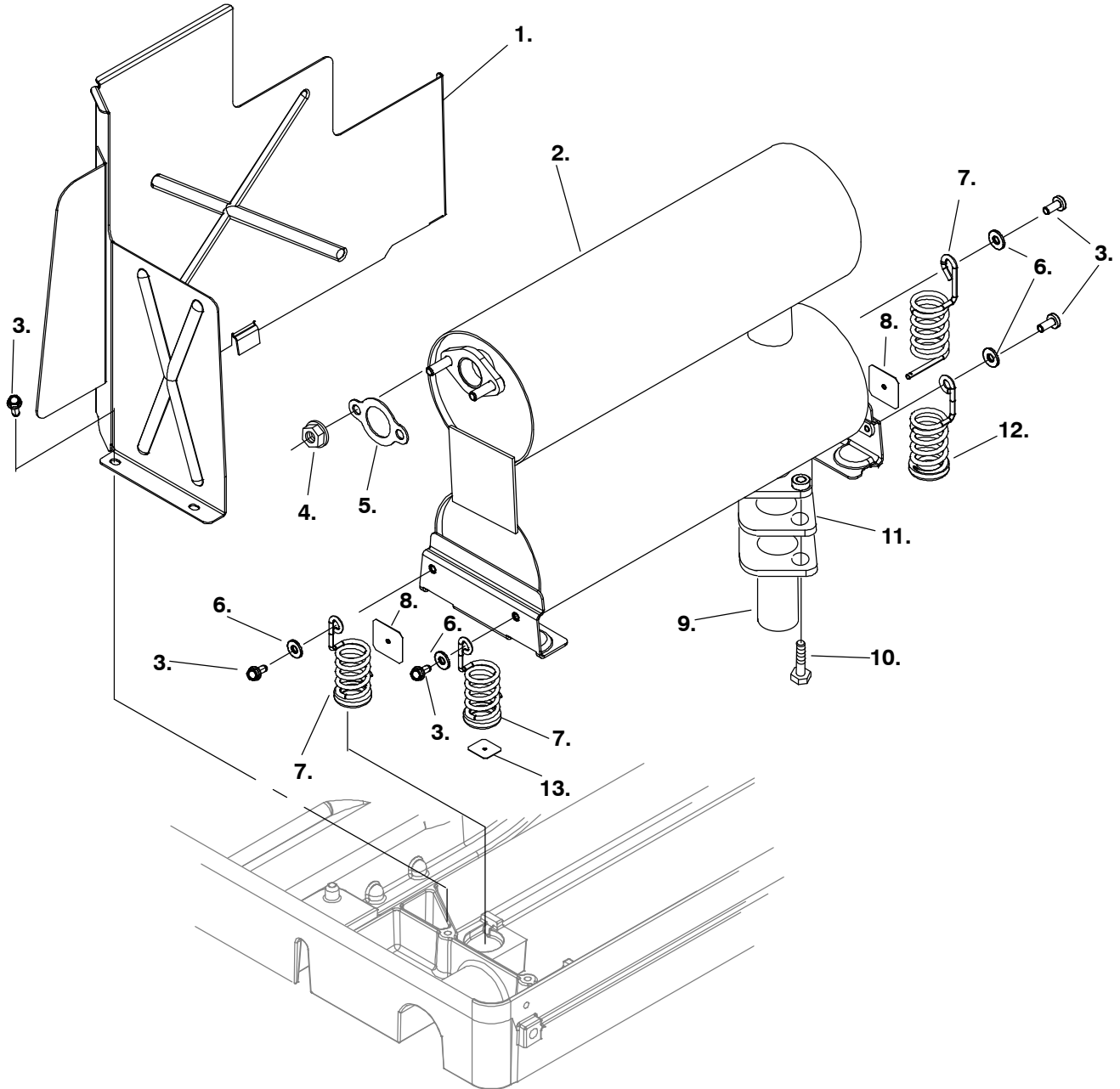
REF NO.	PART NO.	QTY USED	PART DESCRIPTION	REF NO.	PART NO.	QTY USED	PART DESCRIPTION
	A030J361	1	Module, Secondary Air	4.	800-2031	4	Screw, Hex Head
1.	A030J339	1	Valve	5.	A041E117	1	Orifice
2.	A030J351	1	Cover, Access				
3.	A030J333	1	Insulation, Sound				

# Exhaust Manifold



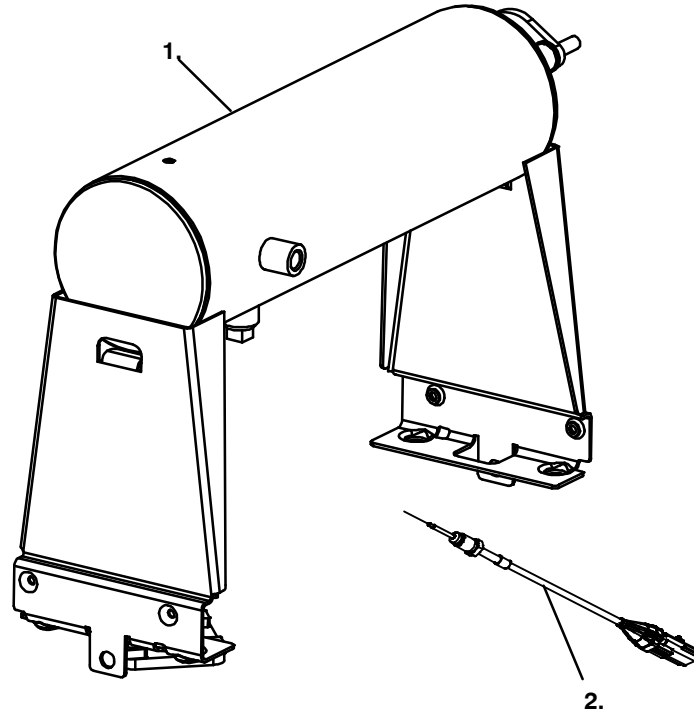
REF NO.	PART NO.	QTY USED	PART DESCRIPTION	REF NO.	PART NO.	QTY USED	PART DESCRIPTION
1.			Manifold, Exhaust (HGJAA, HGJAB) Housed sets)				(HGJAA, HGJAB)
	A026H890	1	Spec A-E	5.	870-0557	4	Nut, Hex Flange (M8 x 1.25")
	A030H483	1	Begin Spec J	6.	154-3091	1	Shield, Exhaust Manifold (HGJAA, HGJAB)
2.	154-3043	1	Manifold, Exhaust (Unhoused sets HGJAC)	7.	154-2746	2	Gasket, Exhaust Manifold
3.	154-3092	1	Shield, Exhaust Manifold (HGJAA, HGJAB)	8.	405-6103	1	Insulation, Exhaust Manifold (Unhoused HGJAC)
4.	503-2176	4	Tie, Stainless Steel				

## Muffler (Spec A-E)



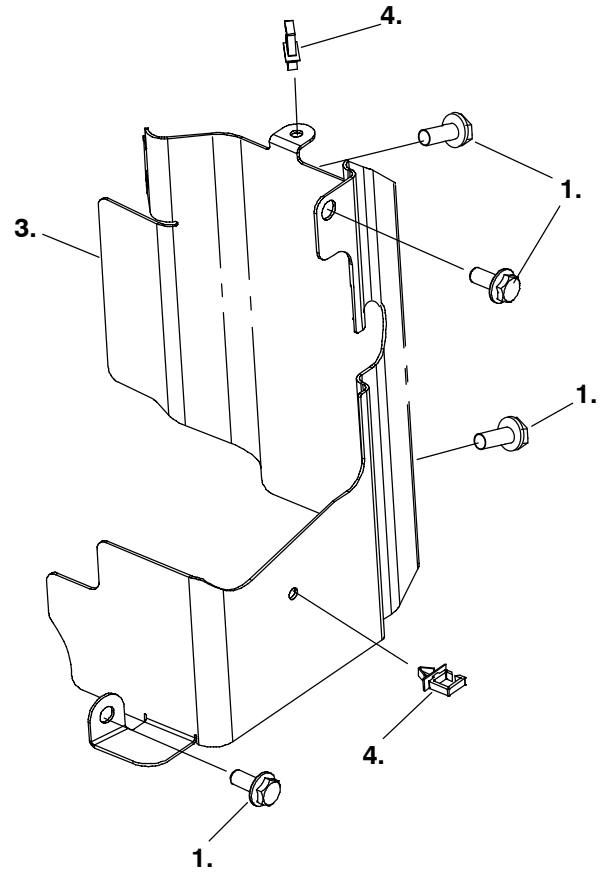
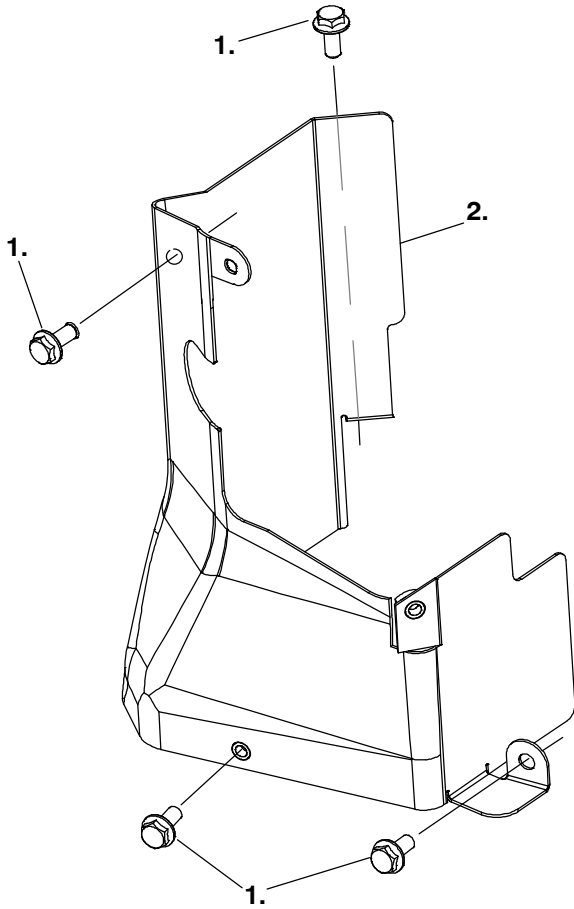
REF NO.	PART NO.	QTY USED	PART DESCRIPTION	REF NO.	PART NO.	QTY USED	PART DESCRIPTION
1.	A030C565	1	Baffle, Exhaust LP Vapor and Gasoline	9.	155-2610-02	1	Tube, Exhaust
	134-5212-02	1	LP Liquid	10.	800-0730	2	Screw, Hex Head Crescent
	A030J367	1	(Begin Spec J)	11.	154-2765	1	Gasket, Muffler
2.	155-3178	1	Muffler, Exhaust HGJAA	12.	402-0755	1	Snubber, Spring
	155-3387	1	HGJAB	13.	870-0462	8	Nut, Push-On
3.	815-0753	7	Screw, Hex Head Thd Form (M6 x 1 x 14mm)	14.	155-3468		Kit, Muffler - HGJAC (Pick One of the Four Kits Listed) (Not Illustrated)
4.	870-0557	2	Nut, Hex Flange (M8 x 1.25mm)		155-3469		
5.	154-3112	1	Gasket, Muffler		155-3470		
6.	526-0018	4	Washer, Flat (1/4")		155-3499		
7.	402-0754	3	Snubber, Spring	15.	800-0026	2	* Screw-HHC
8.	870-0462	1	Nut, Push On	16.	870-0257	2	* Nut-Self LK (5/16-18)
				17.	155-3471	1	+ Muffler
							* - Included in Muffler Kit 155-3468/9, 155-3470, 155-3499
							+ - Parts Included in Muffler Kit 155-3469

## Muffler HGJAA/HGJAB (Begin Spec J)



REF NO.	PART NO.	QTY USED	PART DESCRIPTION	REF NO.	PART NO.	QTY USED	PART DESCRIPTION
1.	A030M065	1	Silencer, Exhaust				
2.	A030N808	1	Sensor, Temperature				

## Air Cylinder Shroud

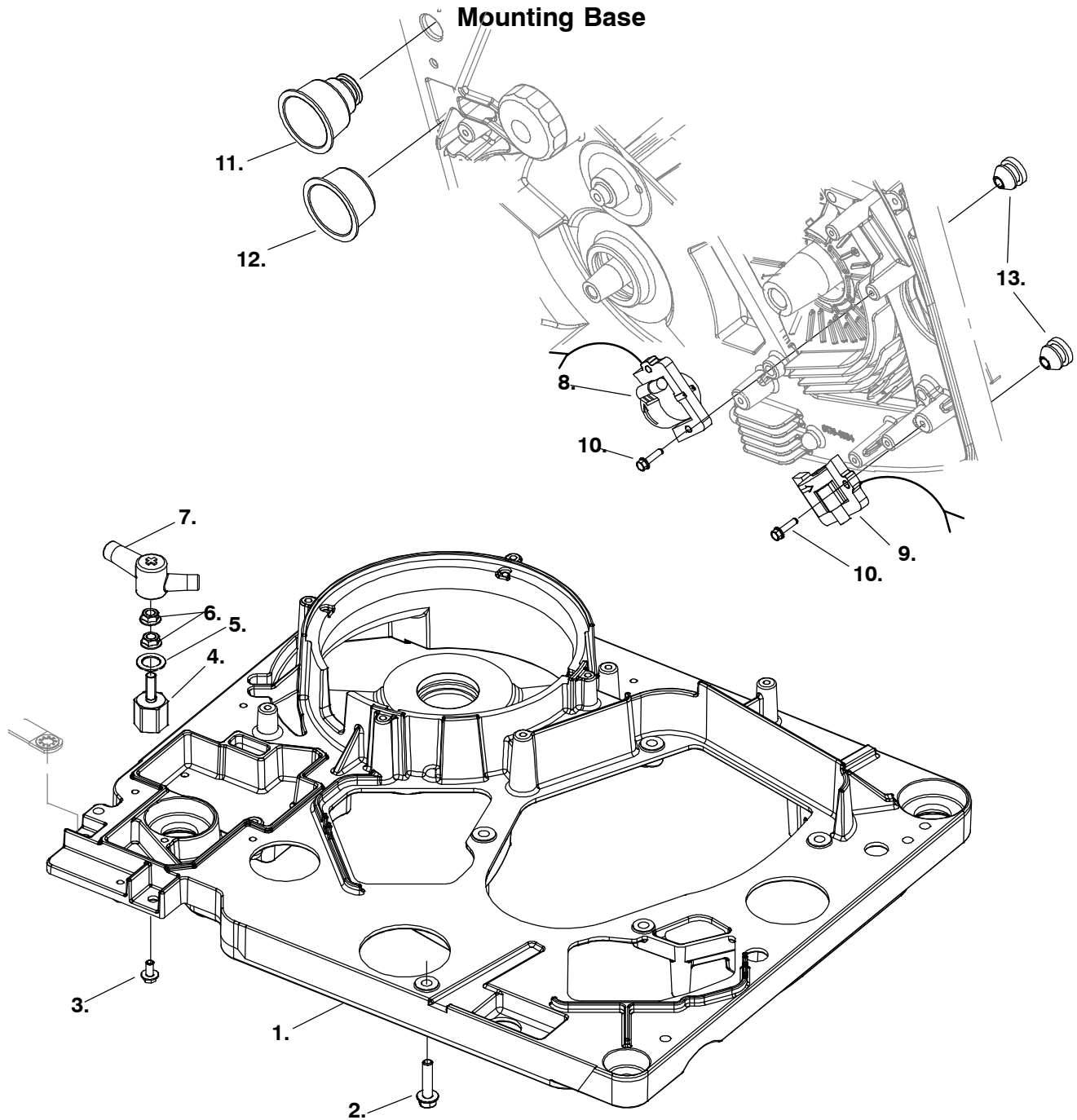


REF NO.	PART NO.	QTY USED	PART DESCRIPTION
1.	815-0753	9	Screw, Hex Washer Head Thread Form (M6 x 1 x 14mm)
2.	134-5188-02	1	Shroud, Cylinder (LH)

REF NO.	PART NO.	QTY USED	PART DESCRIPTION
3.	134-5189-02	1	Shroud, Cylinder (RH)
4.	332-2904	2	Clip, Wire

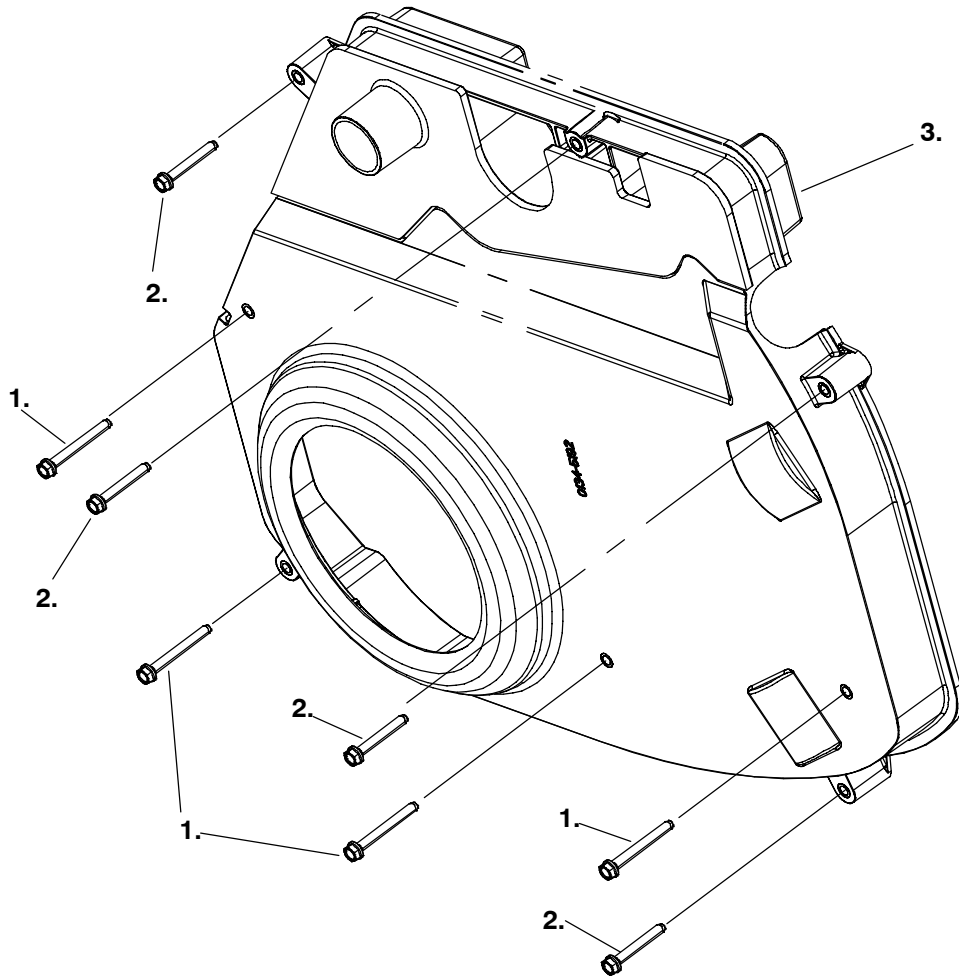


### Mounting Base



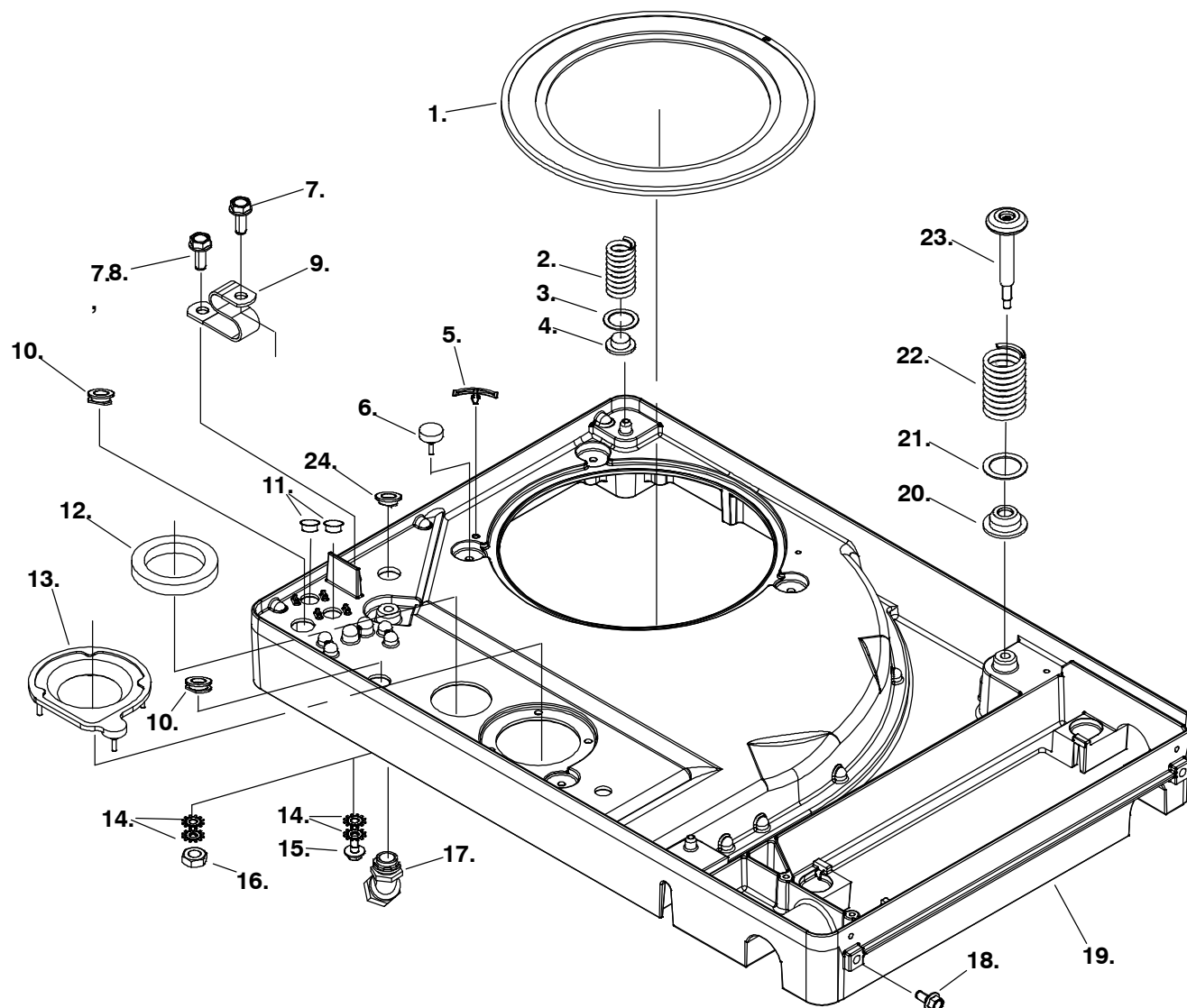
REF NO.	PART NO.	QTY USED	PART DESCRIPTION	REF NO.	PART NO.	QTY USED	PART DESCRIPTION
1.	403-6484	1	Base, Mounting	9.	166-0859-02	1	Coil, Ignition (plug wires) (573mm Lead)
2.	815-0954-05	5	Screw, Flange Head Machine (M8 x 1.25 x 35mm)	10.	815-0793-05	4	Screw, Hex Flange Thread Form (M5 x 0.8 x 20mm)
3.	821-0010	1	Screw, Lock Head (1/4-20 x 1/2")	11.	508-1133	1	Boot, Rubber Wiring
4.	332-3708	1	Standoff, Assembly Insulator	12.	140-3212	1	Hose, Air
5.	850-0045	1	Washer,	13.	508-1134	2	Grommet, Ignition
6.	870-2222	2	Nut, Hex Flange (5/16-18)				
7.	508-1142	1	Boot, Rubber Battery				
8.	166-0859-01	1	Coil, Ignition (plug wires) (800mm Lead)				

## Fan Shroud



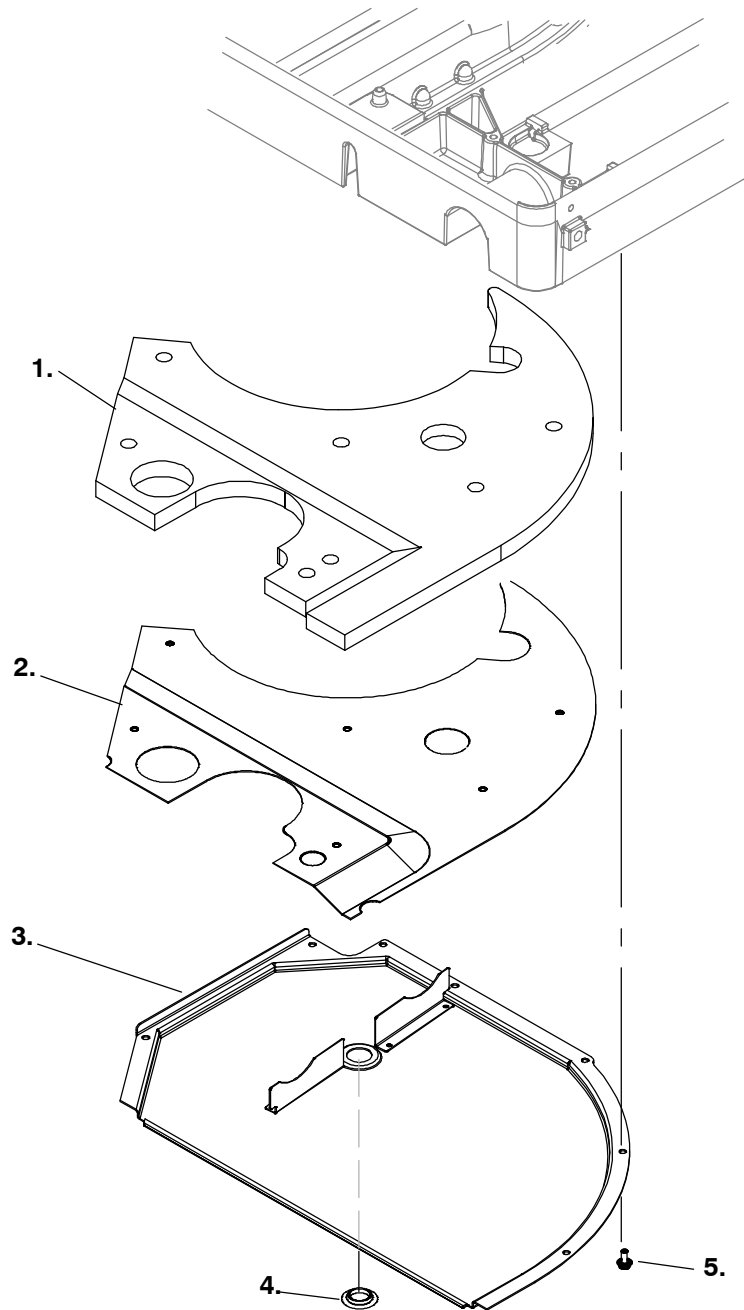
REF NO.	PART NO.	QTY USED	PART DESCRIPTION
1.	815-0969-03	4	Screw, Hex Washer Head Thread Form (M6 x 1 x 46.5mm)
2.	815-0969-02	4	Screw, Hex Washer Head Thread Form (M6 x 1 x 33mm)
3.	134-5205-01	1	Shroud, Fan

## Drip Pan HGJAA/HGJAB



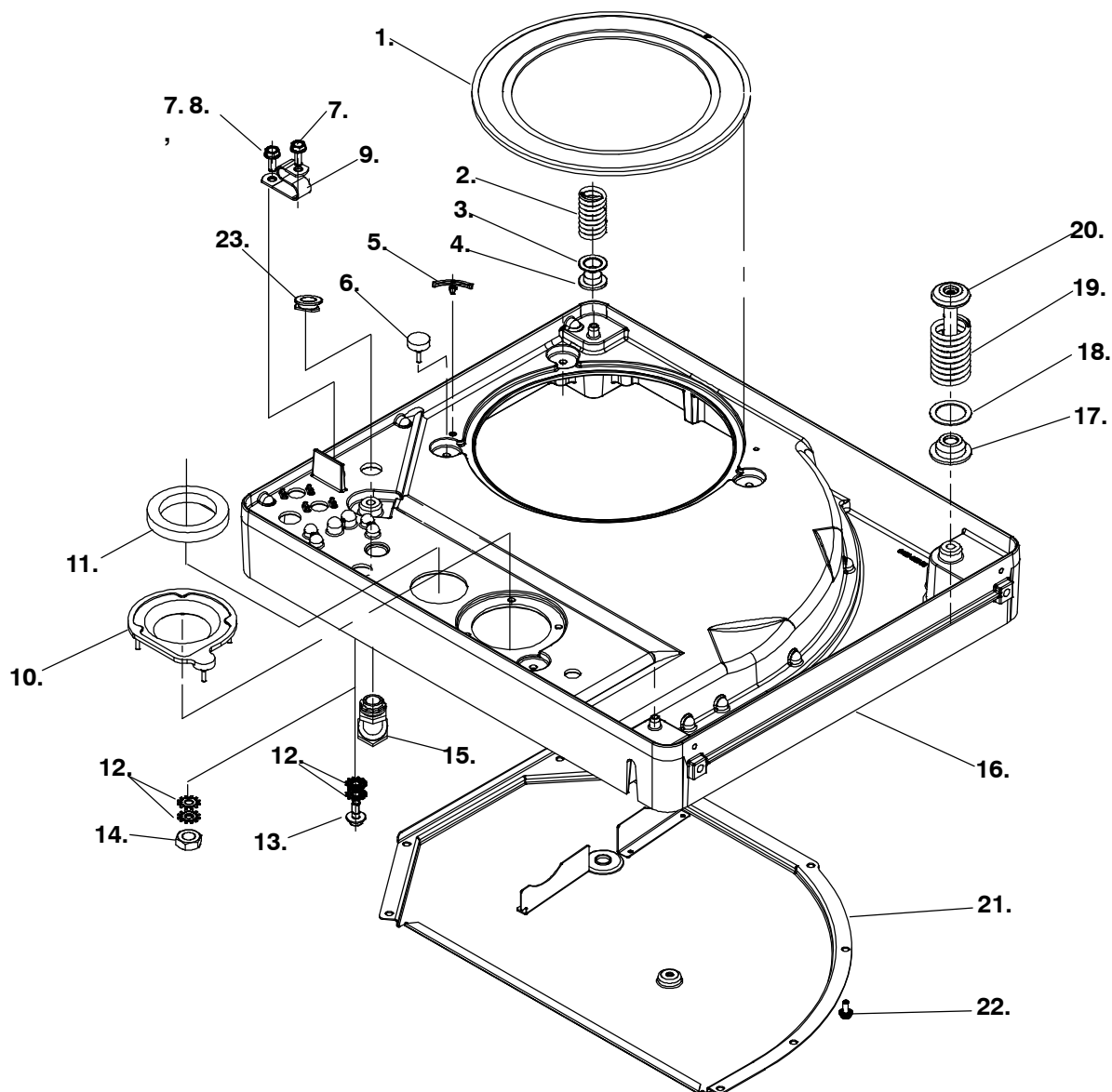
REF NO.	PART NO.	QTY USED	PART DESCRIPTION	REF NO.	PART NO.	QTY USED	PART DESCRIPTION
1.	509-0349	1	Seal, Brush	12.	405-6570	1	Seal, Air Intake
2.	402-0733	2	Isolator, Spring	13.	134-5211	1	Cover, Filter
3.	526-0449	2	Washer, Flat	14.	856-0008	2	Washer, EIT Lock (5/16")
4.	402-0746	2	Isolator, Rubber	15.	815-0508	1	Screw, Hex Washer Head
5.	140-3203	2	Clip, Brush				Thread Form (5/16-18 x 3/4")
6.	402-0744	3	Isolator, Snubber				LP Liquid, Carbureted, EFI
7.			Screw, Hex Washer Head	16.	862-0015	1	Nut, Hex Heavy (5/16-18 UNC)
			(M8 x 1.25 x 20mm)				LP Vapor
	815-0829-06	2	EFI, LP Liquid	17.	331-0569	1	Elbow, 45° Conduit
	815-0829-06	1	LP Vapor	18.	815-0384	4	Screw, Hex Washer Head
8.	815-0836	1	Screw, Hex Washer Head				Thread Form (3/8-18 x 3/4")
			LP (5/16-18 x 1.50)	19.	403-4201-01	1	Pan, Drip
9.	337-0049	1	Strap, Bond	20.	402-0745	2	Isolator, Rubber
10.	508-1145	2	Grommet	21.	526-0448	2	Washer, Flat
11.			Plug, Hole	22.	402-0727	2	Isolator, Vibration Spring
	517-0136	1	LP Vapor	23.	815-1543	2	Screw, Socket Head Torx
	517-0136	2	LP Liquid, Carbureted	24.	508-1182	1	Grommet (5/8")
			Gasoline (Not used on EFI)				

## Drip Pan Inlet Cover HGJAA/HGJAB



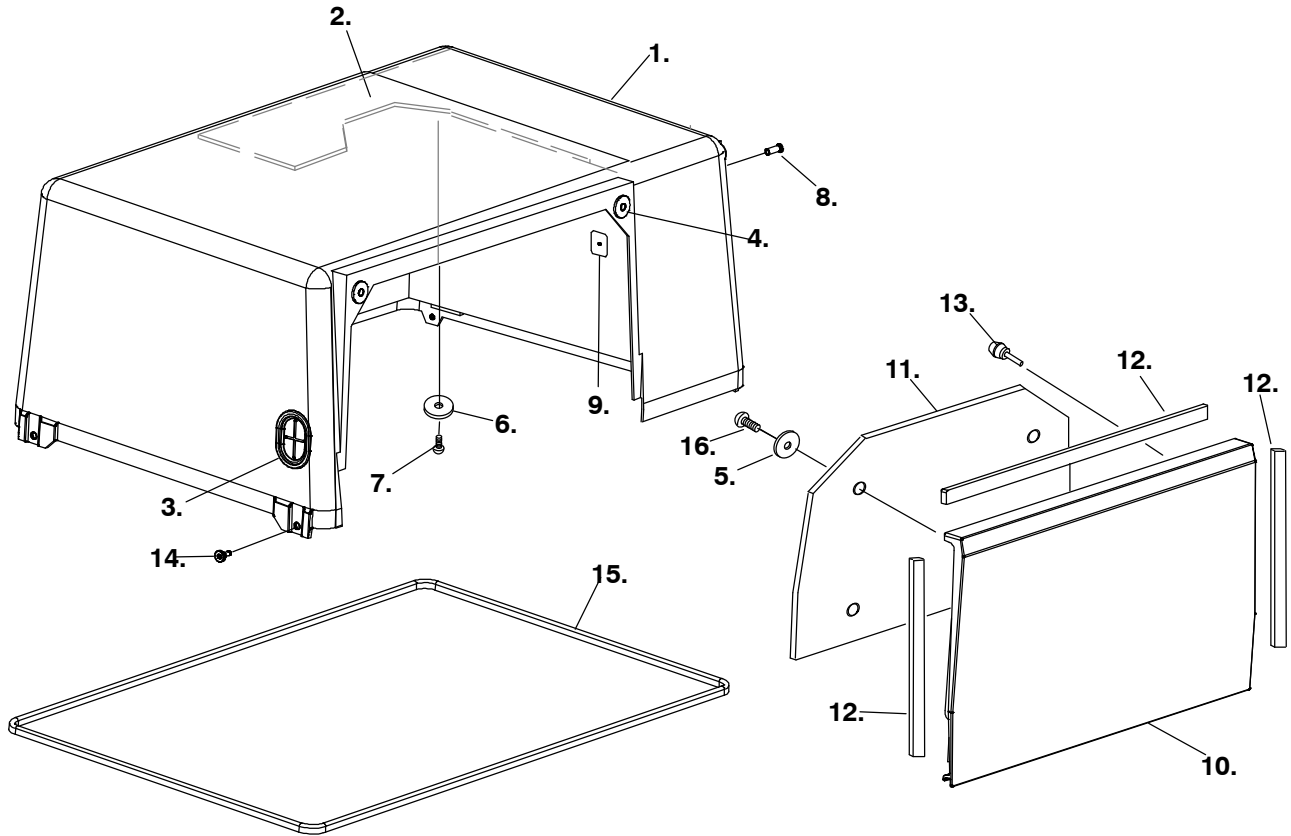
REF NO.	PART NO.	QTY USED	PART DESCRIPTION	REF NO.	PART NO.	QTY USED	PART DESCRIPTION
1.	405-6768	1	Insulation, Inlet Baffle	5.	815-0753	17	Screw, Hex Washer Head Thread Form (M6 x 14mm)
2.	A030C589	1	Retainer, Insulation				
3.	134-5232	1	Cover, Inlet				
4.	517-0351-01	1	Plug, Hole				

## Drip Pan (HGJAC)



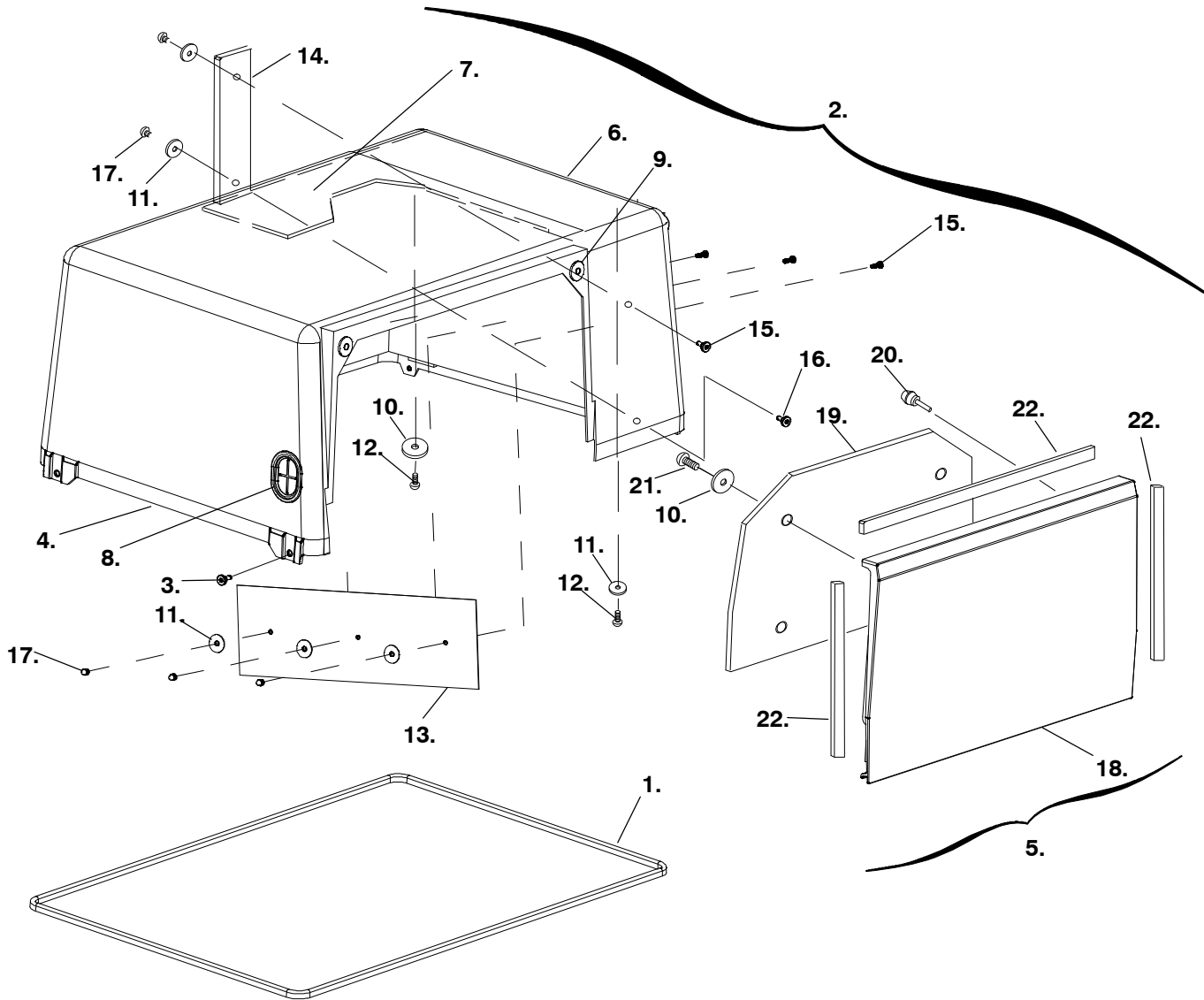
REF NO.	PART NO.	QTY USED	PART DESCRIPTION	REF NO.	PART NO.	QTY USED	PART DESCRIPTION
1.	509-0349	1	Seal, Brush	12.	856-0008	2	Washer, EIT Lock
2.	402-0733	2	Isolator, Spring	13.	815-0508	1	Screw, Hex Washer Head Thd Form (5/16-18 x 3/4")
3.	526-0449	2	Washer, Flat				LP
4.	402-0746	2	Isolator, Rubber	14.	862-0015	1	Nut Hex Heavy (5/16-18 UNC)
5.	140-3203	2	Clip, Brush	15.	331-0569	1	Elbow, 45° Conduit
6.	402-0744	3	Isolator, Snubber	16.	403-4201-03	1	Pan, Drip
7.			Screw, Hex Washer Head Thd Form (M8 x 1.25 x 20mm)	17.	402-0745	2	Isolator, Rubber
	815-0829-06	1	(Vapor LP)	18.	526-0448	2	Washer, Flat
	815-0829-06	2	(Gasoline, Liquid LP)	19.	402-0727	1	Isolator, Spring
8.	815-0836	1	Screw, Hex Washer Head Thd Form (5/16-18 x 1.5mm)	20.	815-1543	2	Screw, Socket Head Torx
			Liquid Vapor	21.	134-5232	2	Cover Assy, Inlet
9.	337-0049	1	Strap, Bond	22.	815-0753	10	Screw, Locking Flange (M6 x 1 x 14)
10.	134-5211	1	Cover, Oil Filter	23.	508-1182	1	Grommet (5/8")
11.	405-6570	1	Seal, Air Intake				

## Housing (Spec A-E) HGJAA/HGJAB



REF NO.	PART NO.	QTY USED	PART DESCRIPTION	REF NO.	PART NO.	QTY USED	PART DESCRIPTION
	405-6915-01	1	Assy, Housing (Black) (Includes Enclosure and Door Assy)(Includes Parts Marked + and *)	10.	541-0796	1	+Door, Enclosure Spec A
1.	405-6916-01	1	*Cover, Enclosure (Black)	405-6918-01	1	1	Spec B-E (Black)
2.	405-5940	1	*Insulation, Cover	11.	405-5943	1	+Insulation, Door
3.	508-1116	1	*Grommet, Remote	12.	405-4311-01	1	+Gasket, Door (1182mm)
4.	508-1164	2	*Grommet	13.	516-0258	2	+Pin, Latch
5.	526-0394	3	* Washer, Flat (1/4" ID x 1.25" OD)	14.	823-0015	4	Screw, Shoulder Torx (M6 x 1 x 10mm)
	526-0394	4	+ Enclosure	15.	508-1155	-	Seal, Cover - Bulk (Order By The Foot - 9 Feet Required)
6.	526-0130	2	*Washer, Flat (1/4" ID x 1" OD)	16.	819-1145	4	+Screw, Pan Head Stainless (#10 x 1/2")
7.	819-1145	5	*Screw, Pan Head Thread Form Stainless (#10 x 1/2")				
8.	818-0226-02	2	*Rivet				* - Parts Included in Housing Assy.
9.	870-0462	2	*Nut, Push-on				+ - Parts Included in Door Assy.
							Note: HGJAC is Unhoused.

## Housing (Begin Spec J) HGJAA/HGJAB

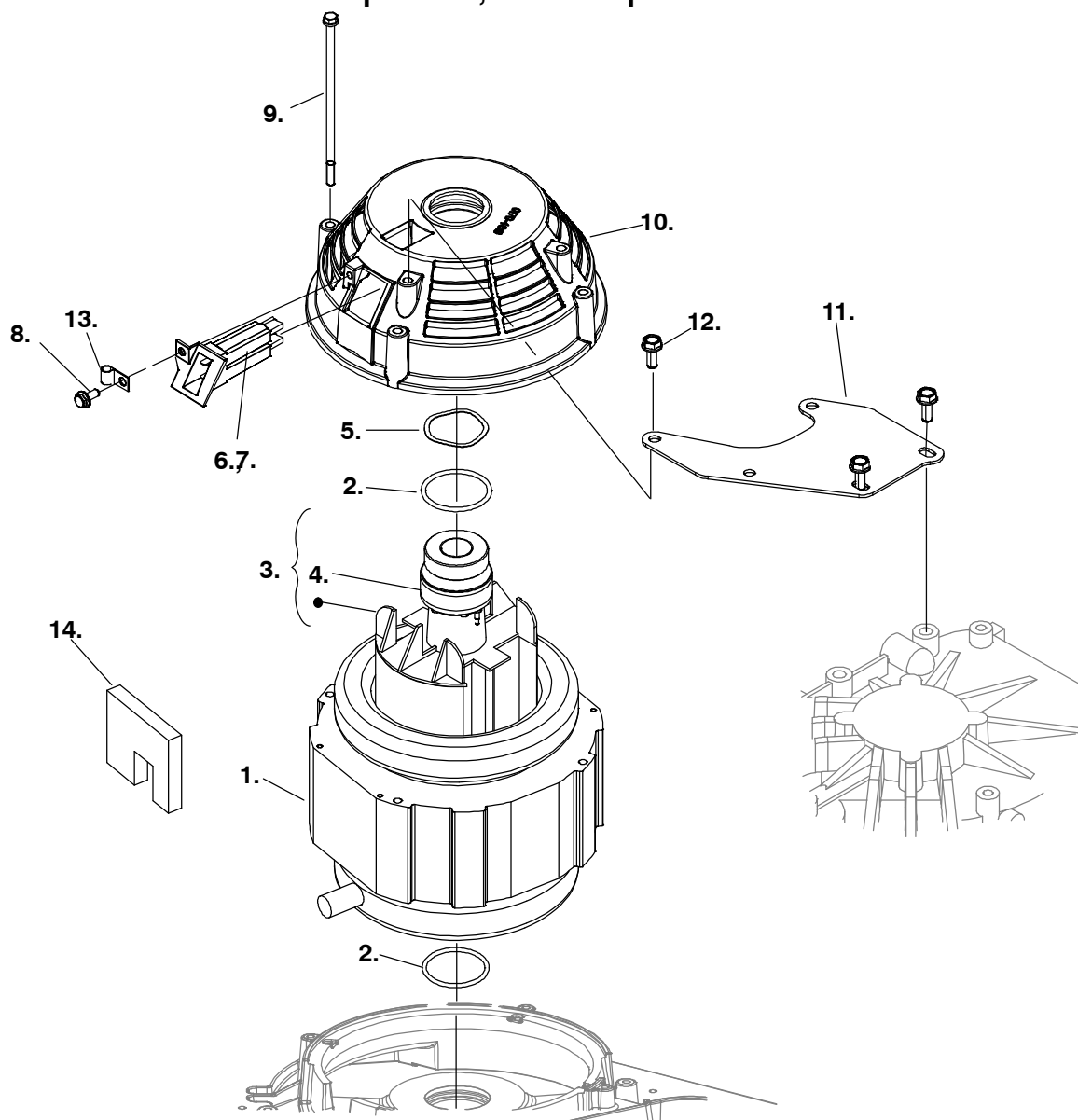


REF NO.	PART NO.	QTY USED	PART DESCRIPTION	REF NO.	PART NO.	QTY USED	PART DESCRIPTION
1.	A0587G187	1	Seal, Edge	13.	A035H737	1	* Shield, Heat
2.	A030W745	1	Enclosure, Generator Set (Green) (Includes Complete Enclosure and Door Assemblies.)	14.	A035H739	1	* Shield, Heat
3.	0823-0015	4	Screw, Torx	15.	A047C768	4	* Screw, Button Head Socket (20mm)
4.	A030W741	1	Cover, Enclosure (Includes Parts Marked *)	16.	A047C770	1	* Screw, Button Head Socket (25mm)
5.	A030W739	1	Door, Enclosure (Includes Parts Marked +)	17.	A035H735	5	* Nut, Acorn
6.	A030T897	1	* Cover, Enclosure (Just the Shell)	18.	A030T899	1	+Door, Enclosure
7.	A035H749	1	* Insulation, Cover	19.	0405-5943	1	+Insulation, Door
8.	0508-1116	1	* Grommet, Remote	20.	0516-0258	2	+Pin, Latch
9.	0508-1164	2	* Grommet, Pin	21.	0819-1145	4	+Screw, Pan Head
10.			Washer, Flat (1/4" ID x 1.25" OD)	22.	0405-4311-01	-	+Gasket (1182mm)
	0526-0394	3	* Enclosure				
	0526-0394	4	+ Door				
11.	0526-0130	7	* Washer, Flat				
12.	0819-1145	5	* Screw, Pan Head Thread Forming - Stainless (#10 x 1/2")				

\* - Parts Included in Enclosure Cover Assy.  
+ - Parts Included in Door Assy.

Note: HGJAC is Unhoused.

## Generator HGJAB Spec A-K HGJAA Spec A-J, HGJAC Spec A-C

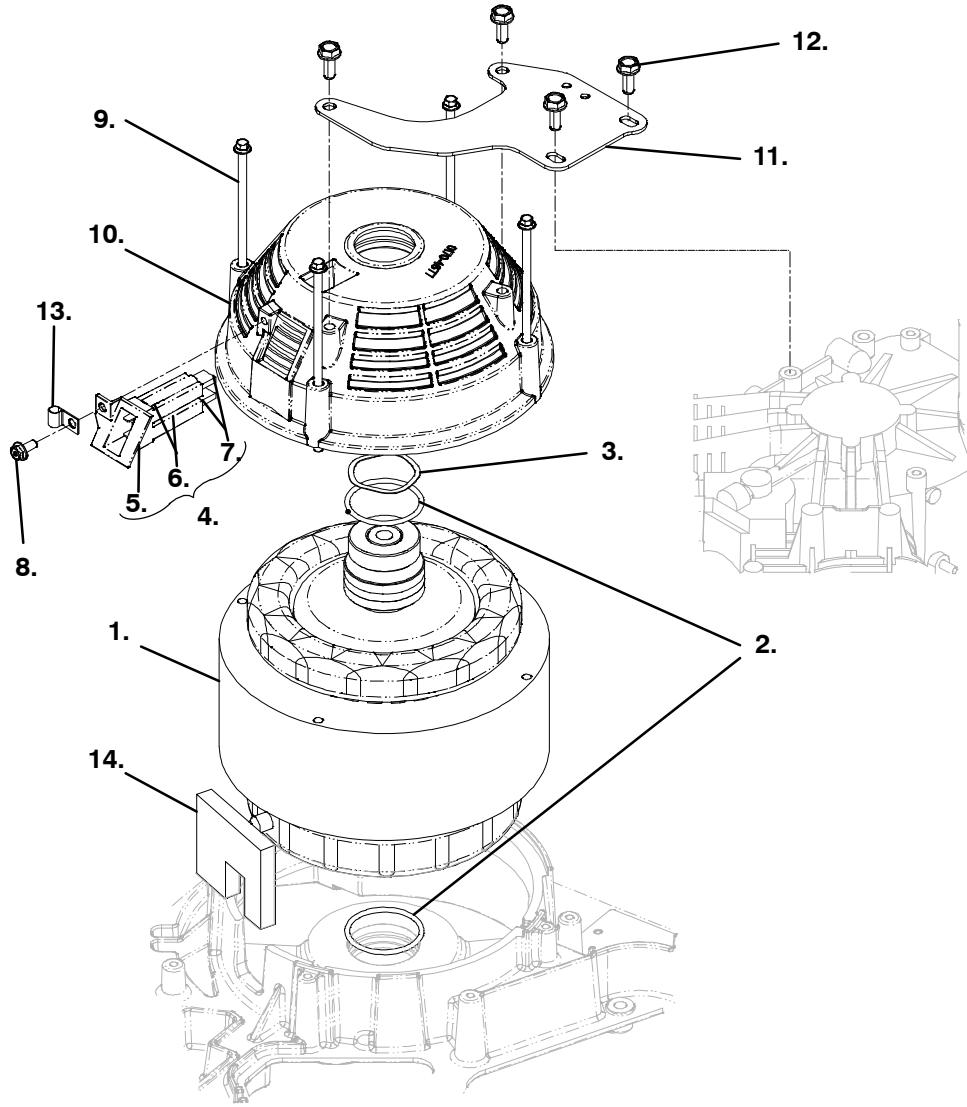


REF NO.	PART NO.	QTY USED	PART DESCRIPTION	REF NO.	PART NO.	QTY USED	PART DESCRIPTION
1.	220-4544-S1	1	Stator	7.	212-1276-03	2	Brush and Spring)
	220-4544-S2	1	6.5/7.0kW (95mm)	8.	815-0753	1	Spring, Generator Brush
2.	509-0420	2	O'Ring	9.			Screw, Lock Flange
3.			Rotor Assy (Includes Bearings and Collector Ring)				Bolt
	201-3638-01	1	Spec A-C		815-0927-01	4	6.5/7.0kW (M6 x 1 x 160mm)
	201-3638-02	1	5.5kW		815-0927-02	4	5.5kW (M6 x 1 x 145mm)
			Begin Spec D	10.	211-0508	1	Endbell, Generator
	201-3638-01	1	5.5kW	11.			Bracket, Generator Stab
	201-3638-02	1	6.5/7.0kW		211-0494-02	1	6.5/7.0kW
			5.5kW		211-0500-02	1	5.5kW
4.	204-0141	1	Ring, Collector	12.	815-0829-06	4	Screw, Hex Washer Thread
5.	851-0045	1	Washer, Wave				Form (M8 x 1.25 x 20mm)
6.	212-1303	1	Block, Brush (Includes Block,	13.	332-2319	1	Clamp, Cable
				14.	405-6701	1	Seal, Control
				15.	403-5490	1	Shim, Endbell (Not Shown)

Note- Rotor and Stator parts for Spec A-G are now only available to order as combined generator parts:  
6.5/7.0kW (95mm) = A053T562, 5.5kW (80mm) = A053J366.

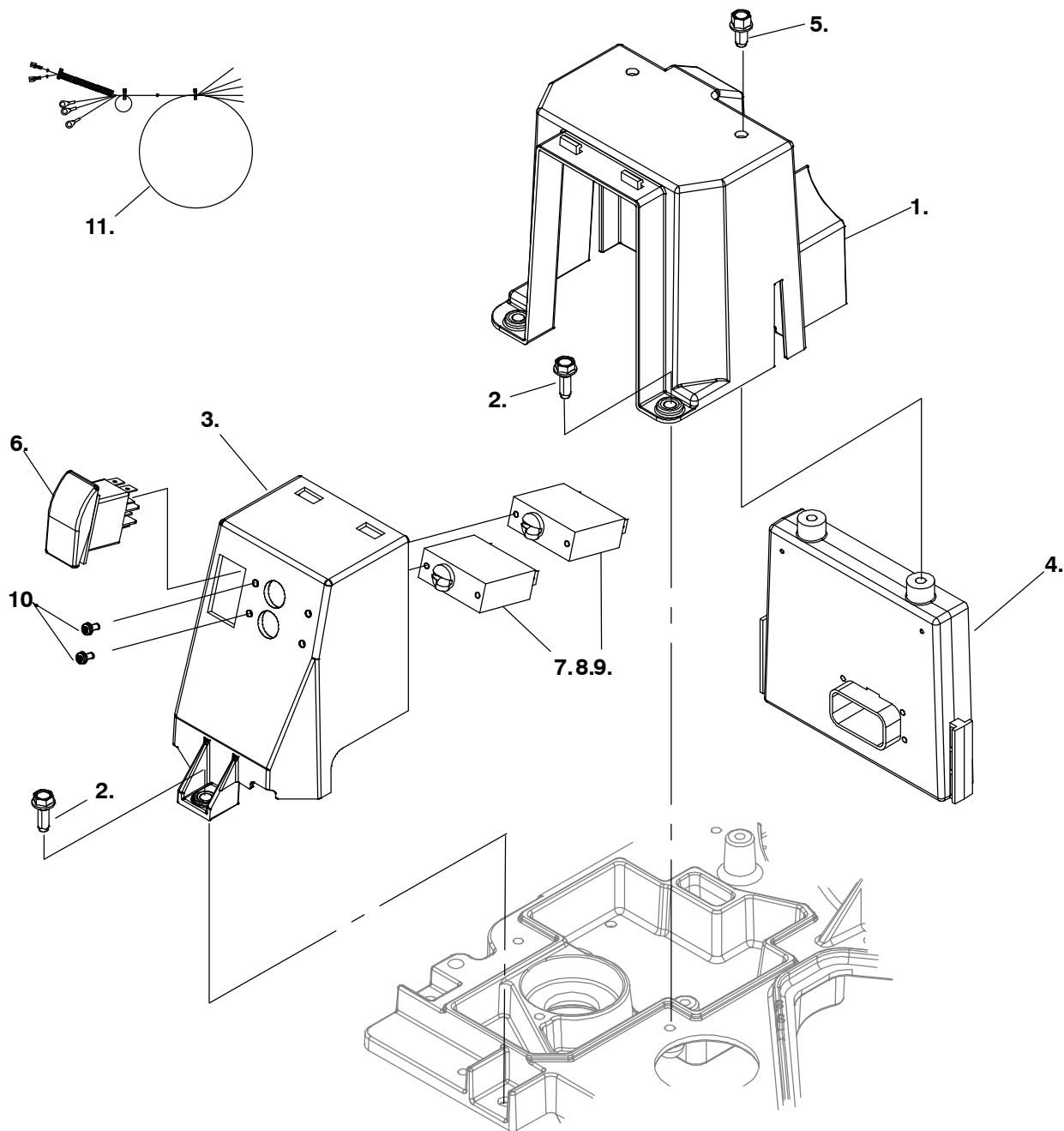


**Generator HGJAB Begin Spec L  
HGJAA Begin K**



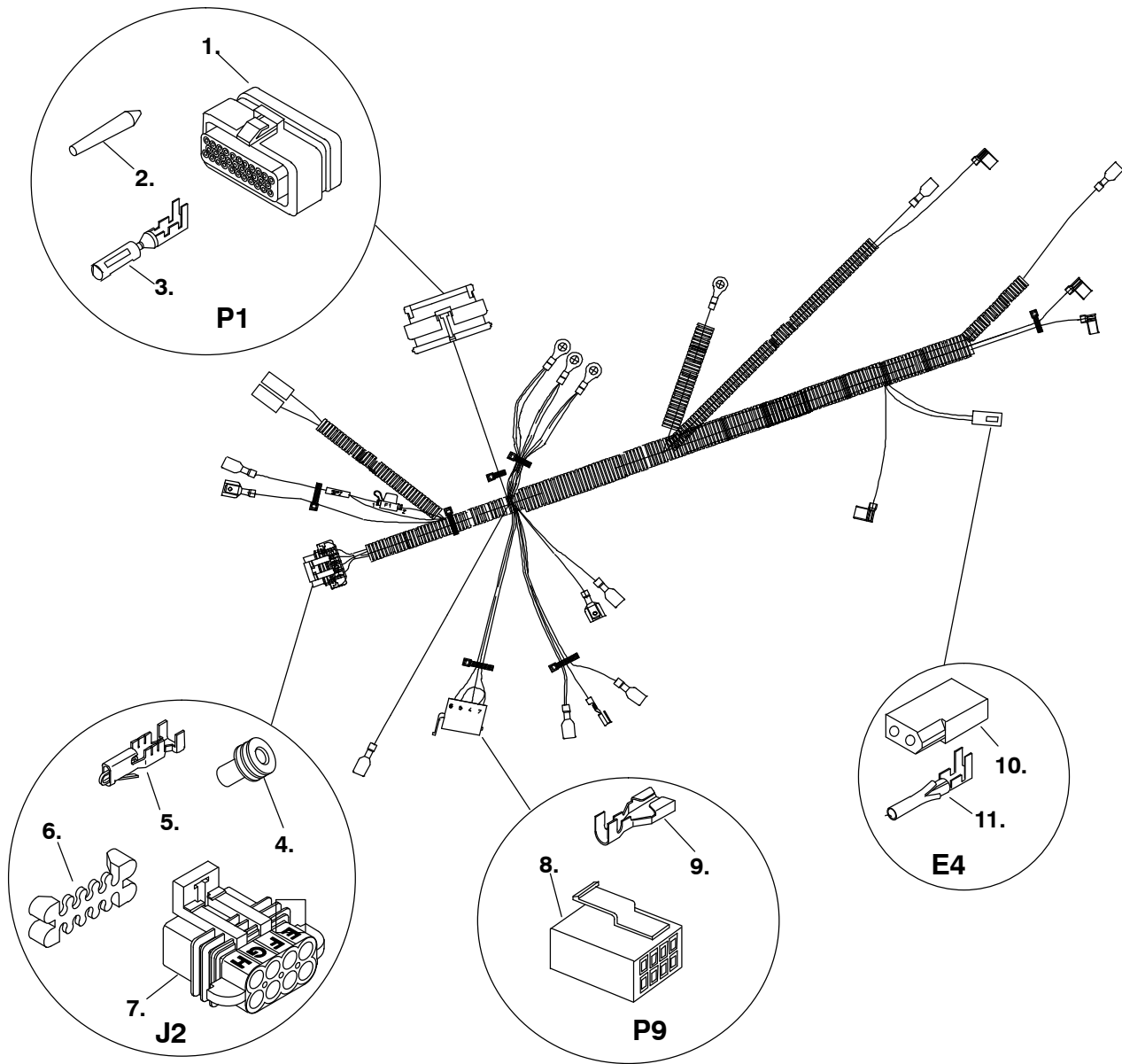
REF NO.	PART NO.	QTY USED	PART DESCRIPTION	REF NO.	PART NO.	QTY USED	PART DESCRIPTION
1.	A053T562	1	Generator 6.5/7.0kW (95mm)	9.	815-0927-01	4	Bolt 6.5/7.0kW (M6 x 1 x 160mm)
	A053J366	1	5.5kW (80mm)		815-0927-02	4	5.5kW (M6 x 1 x 145mm)
2.	509-0420	2	O'Ring	10.	211-0508	1	Endbell, Generator
3.	851-0045	1	Washer, Wave	11.	211-0494-02	1	Bracket, Generator Stab 6.5/7.0kW
4.	212-1303	1	Block, Brush (Includes Block, Brush and Spring)		211-0500-02	1	5.5kW
5.	212-1276-03	2	Spring, Generator Brush	12.	815-0829-06	4	Screw, Hex Washer Thread Form (M8 x 1.25 x 20mm)
6.	212-1304	2	Block, Brush				
7.	A053W561	2	Block, Brush	13.	332-2319	1	Clamp, Cable
8.	815-0753	1	Screw, Lock Flange	14.	405-6701	1	Seal, Control

## Control Housing



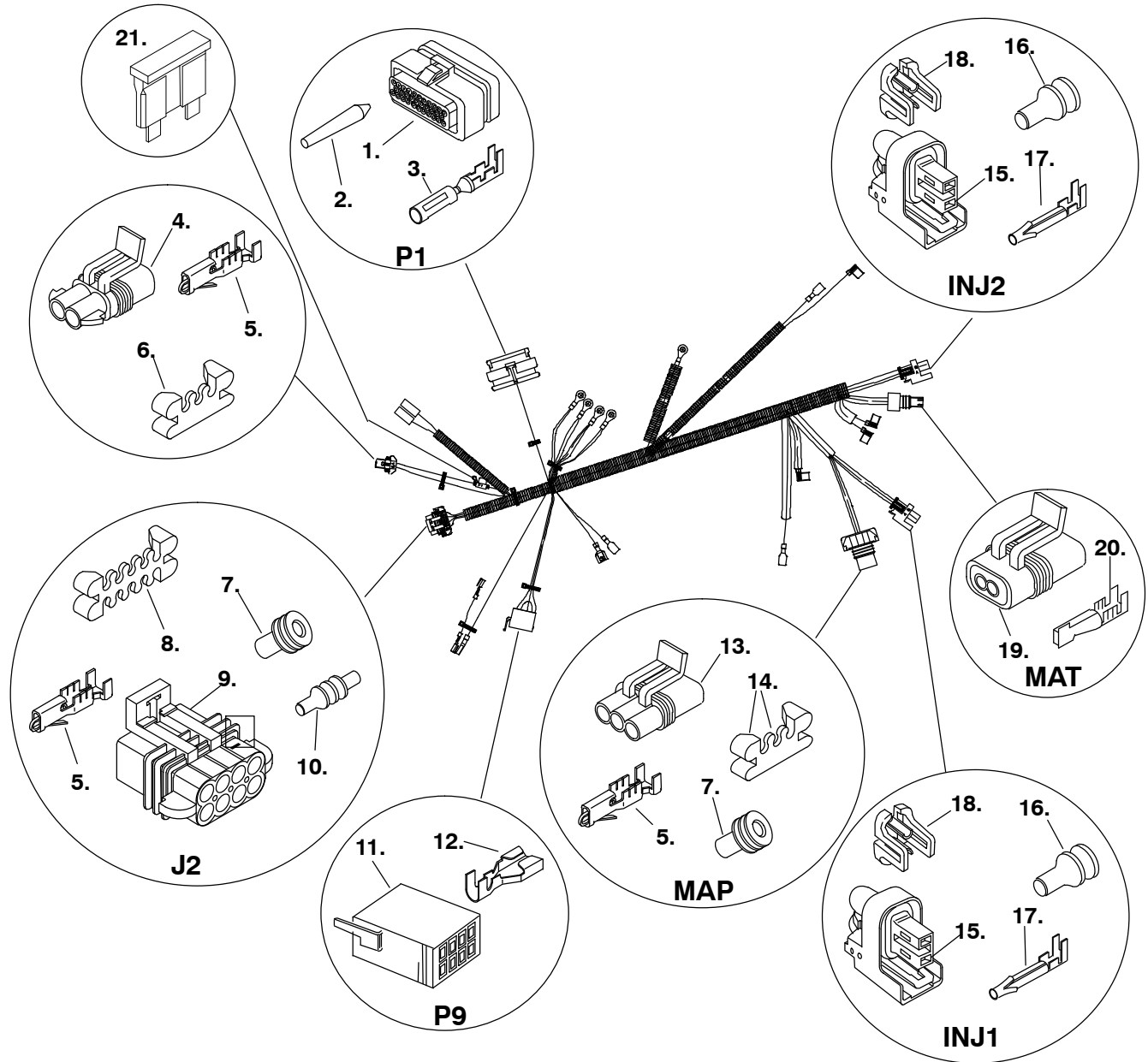
REF NO.	PART NO.	QTY USED	PART DESCRIPTION	REF NO.	PART NO.	QTY USED	PART DESCRIPTION
1.	319-4308	1	Cover, Control				
2.	815-0941-03	6	Screw, Hex Washer Head Thread Form (M6 x 1 x 18mm)	6.	308-1038	1	Thread Form (1/4-10 x 1/2")
3.	319-4307-01	1	Cover, Switch	7.	320-1323	2	Breaker, Circuit (30/30Amp)
4.			Control, PCB	8.	320-1323	1	Breaker, Circuit (30/20Amp)
	300-5503	1	HGJAA (Spec A-E, Gasoline only)		320-2003-01	1	30Amp
	300-5374	1	HGJAA (Spec A-D, LP only), HGJAB (Spec A-E) & HGJAC (Spec A-C)	9.	320-1322	2	20Amp
	A032Y912	1	(HGJAA & HGJAB) (Begin Spec J)	10.	815-0550-03	4	Breaker, Circuit (25/25Amp)
5.	815-0943-02	2	Screw, Hex Washer Head	11.	338-3706	1	Screw, ET Pan Head Cross Recessed (#6-32 x 3/8") Harness, AC Output

## Engine Harness (All Sets Except EFI) (Spec A-E)



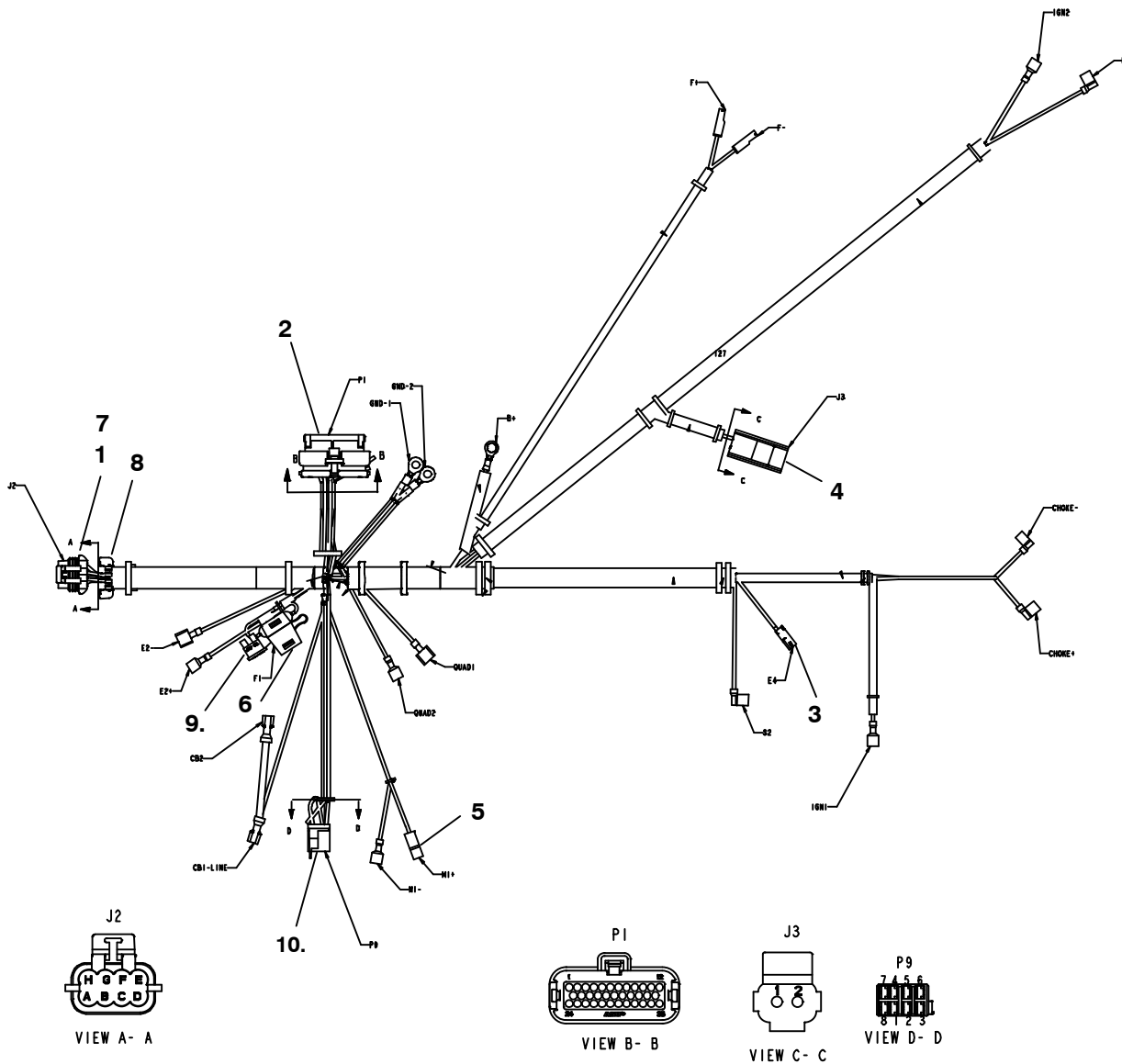
REF NO.	PART NO.	QTY USED	PART DESCRIPTION	REF NO.	PART NO.	QTY USED	PART DESCRIPTION
	338-3847	1	Harness, Engine	7.	323-1743	1	Connector, Plug (J2) (8 Pin)
1.	323-1605-01	1	Connector, Plug (P1) (23 Pin)	8.	308-1019	1	Connector, Switch Housing (P9)
2.	323-1615	5	Plug, Cavity (P1)	9.	332-2928	AR	Terminal, Receptacle (P9)
3.	323-1614-01	AR	Terminal, Socket (P1)	10.	323-1861	AR	Housing, 2 Pin (E4)
4.	323-1708	7	Seal, Cable (J2)	11.	323-1860	AR	Terminal, Socket (E4)
5.	323-1709	AR	Terminal, Socket (J2)				
6.	323-1741	1	Housing, Lock (J2)				

## Engine Harness (EFI Sets) (Spec A-E)



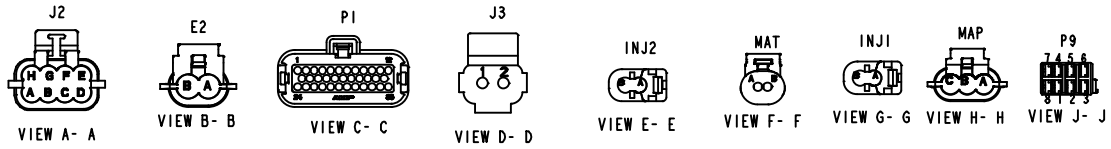
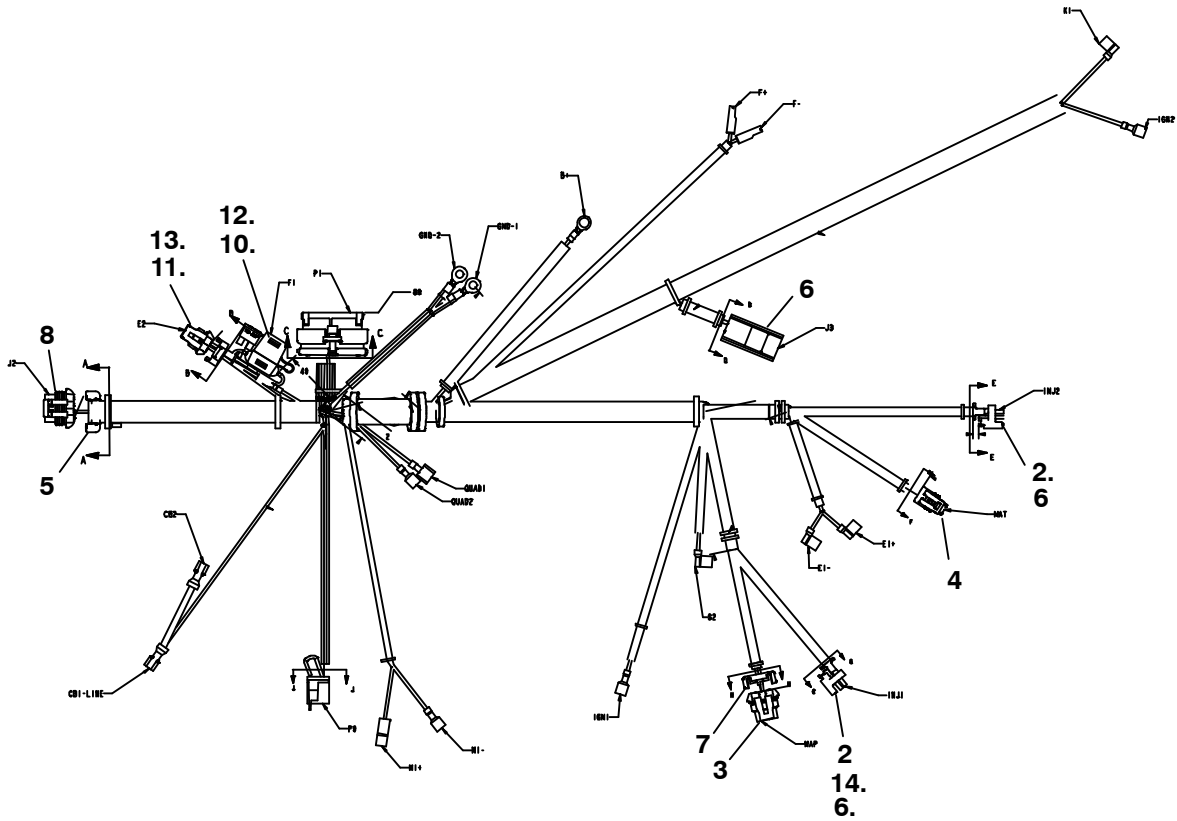
REF NO.	PART NO.	QTY USED	PART DESCRIPTION	REF NO.	PART NO.	QTY USED	PART DESCRIPTION
	338-3609	1	Harness, Engine	12.	332-2928	AR	Terminal, Receptacle (P9)
1.	323-1819-01	1	Connector, Plug (P1) (35 Pin)	13.	323-1815	1	Housing, Connector (MAP)
2.	323-1615	5	Plug, Cavity (P1)	14.	323-1816	1	Housing, Lock (MAP)
3.	323-1614-01	AR	Socket, Terminal (P1)	15.	323-1812	2	Housing, Connector (INJ1, INJ2)
4.	323-1884	1	Connector, (2 Pin) (E2)	16.	323-1813	4	Terminal, Seal (INJ1, INJ2)
5.	323-1709	AR	Terminal, Socket (E2)(J2)(MAP)	17.	323-1810	AR	Terminal, Socket (INJ1, INJ2)
6.	323-1890	1	Housing, Lock (E2)	18.	323-1814	2	Housing, Lock (INJ1, INJ2)
7.	323-1708	10	Seal, Cable (J2)(MAP)	19.	323-1817	1	Housing, Connector (MAT)
8.	323-1741	1	Housing, Lock (J2)	20.	323-1818	AR	Terminal, Socket (MAT)
9.	323-1743	1	Connector, Plug (J2) (8 Pin)	21.	321-0307-04	1	Fuse
10.	323-1712	1	Plug, Cavity (J2)				
11.	308-1019	1	Connector, Switch Housing (P9)				

## Engine Harness (Non EFI) HGJAB (Begin Spec J)



REF NO.	PART NO.	QTY USED	PART DESCRIPTION	REF NO.	PART NO.	QTY USED	PART DESCRIPTION
	A040E710	1	Harness, Engine	6.	321-0325	1	Holder, Fuse (F1)
1.	323-1743	1	Connector, Plug (J2) (8 Pin)	7.	323-1708	8	Seal, Cable (J2)(MAP)
2.	323-1819	1	Connector, Plug (P1)	8.	323-1741	1	Housing, Lock (J2)
3.	323-1861	1	Connector, Receptacle (E4)	9.	321-0307-04	1	Fuse (7.5 Amp)
4.	323-2568	1	Connector, Receptacle (J3)	10.	308-1019	1	Connector, Switch Housing (P9)
5.	323-1871	1	Housing, Terminal (M1+)				

## Engine Harness (EFI) HGJAA (Begin Spec J)

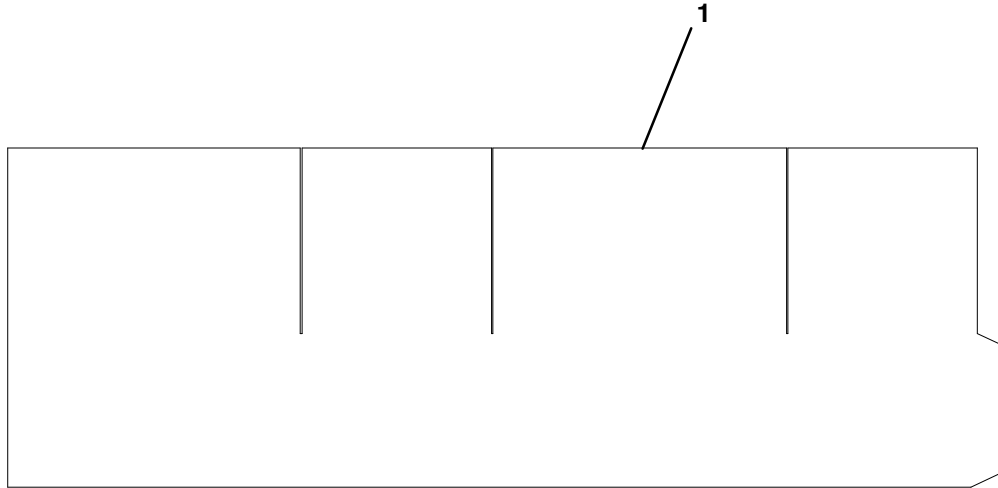


REF NO.	PART NO.	QTY USED	PART DESCRIPTION	REF NO.	PART NO.	QTY USED	PART DESCRIPTION
	A040E712	1	Harness, Engine	9.	323-1813	4	Seal, Cable
1.	323-2568	1	Connector, Receptacle	10.	321-0325	1	Holder, Fuse
2.	323-1812	2	Connector	11.	323-1884	1	Connector, Two Pin
3.	323-1815	1	Connector, Housing	12.	321-0307-04	1	Fuse (7.5 Amp)
4.	323-1817	1	Connector, Housing	13.	323-1890	1	Housing, Lock
5.	323-1741	1	Housing, Lock				
6.	323-1814	2	Housing, Lock	14.	323-1712	5	Plug, Cavity
7.	323-1816	1	Housing, Lock				
8.	323-1708	10	Seal, Cable				

## Overhaul Kit (Gasket Kit)

REF NO.	PART NO.	QTY USED	PART DESCRIPTION	REF NO.	PART NO.	QTY USED	PART DESCRIPTION
	0187-6006	1	Oil Seal		0187-9170	1	Gasket (MB Cover)
	0187-6236	2	Gasket Rocker Cover		0187-6239	2	O-Ring
	0187-6224	1	Gasket Cyl HD 1		0154-2746	2	Gasket Exh Manf
	0187-6230	1	Gasket Cyl HD 2		0154-3112	1	Gasket Exh Manifold
	0187-6025	2	Gasket Breather Plate		0154-2765	1	Gasket Exh Manf (Adapter Plug)
	0154-3085	2	Gasket Intk Manifold		0509-0349	1	Seal, Brush
	0141-0982	2	Gasket Carb		0405-6570	1	Seal, Air Intake
	0141-0983	1	Gasket Carb		0509-0196	2	O-Ring
	0147-0864	1	O-Ring Injector		0187-6015	2	Seal, Intake Valve
	0147-0865	2	O-Ring Injector		0187-6234	2	Seal, Exhaust Valve
	0509-0307	1	O-Ring				
	0187-6108	1	O-Ring				
	0187-6228	1	Oil Seal				

# Shipping Carton



REF NO.	PART NO.	QTY USED	PART DESCRIPTION	REF NO.	PART NO.	QTY USED	PART DESCRIPTION
1.	414-2164	1	Carton, Shipping				



## Labels , Accessories

REF NO.	PART NO.	QTY USED	PART DESCRIPTION	REF NO.	PART NO.	QTY USED	PART DESCRIPTION
98-7792		1	Label, Package	800-0026		2	Screw-HHC <sup>2,3,4</sup>
98-7535-03		1	Illustration, Label	870-0257		2	Nut-Self LK (5/16-18) <sup>2,3,4</sup>
543-0002-01		1	Label, Package	155-3469		1	Kit, Exhaust (HGJAC)
A032X745		1	Label, Warning	155-3471		1	Muffler <sup>3</sup>
0098-8718		1	Label, Logo	155-3470		1	Kit, Exhaust (HGJAC)
0098-8720		1	Label, Information	155-3499		1	Kit, Exhaust (HGJAC)
0098-8918		1	Label, Logo	155-3481-01		1	Kit, Tailpipe (22")
<b>HGJAA, HGJAB, HGJAC</b>				155-1257		1	Clamp, Muffler <sup>5,6</sup>
		1	Illustration, Label	155-3481-02		1	Kit, Tailpipe (26")
				405-6698		1	Kit, Mounting (Underfloor) (HGJAA , HGJAB)
				405-6699		1	Kit, Mounting (Underfloor) (HGJAA , HGJAB)
				541-0678		1	Kit, Breather

### Accessories

148-1161	1	Kit, Conversion (LP) (HGJAB, HGJAC)	1 - Parts Included in Conversion Kit (HGJAB, HJAC)
098-6455	1	Label, LPG Fuel <sup>1</sup>	2 - Parts Included in Exhaust Kit 155-3468
098-7315-11	1	Label, Kit Identification <sup>1</sup>	3 - Parts Included in Exhaust Kit 155-3469
526-2100	1	Washer, Flat <sup>1</sup>	4 - Parts Included in Exhaust Kit 155-3470
870-2055	1	Nut, Flange Lock <sup>1</sup>	5 - Parts Included in Tailpipe Kit 155-3481-02
898-1349	1	Sleeve, Nylon <sup>1</sup>	6 - Parts Included in Tailpipe Kit 155-3481-02
332-1794	1	Tie, Cable <sup>1</sup>	
155-3468	1	Kit, Exhaust (HGJAC)	

**This Page Intentionally Left Blank.**

# Numerical Index

<u>Part No.</u>	<u>Page</u>	<u>Part No.</u>	<u>Page</u>	<u>Part No.</u>	<u>Page</u>	<u>Part No.</u>	<u>Page</u>
0098-8718,	<b>55</b>	0718-1017,	<b>15 , 17 , 18 , 20</b>	146-0795,	<b>15 , 17</b>	151-0723,	<b>19</b>
0098-8720,	<b>55</b>	0819-1145,	<b>45</b>	146-0796,	<b>24</b>	151-0777,	<b>13</b>
0098-8918,	<b>55</b>	0823-0015,	<b>45</b>	146-0843,	<b>19</b>	154-2746,	<b>35</b>
0141-0982,	<b>53</b>	0854-0028,	<b>23</b>	146-0844,	<b>19</b>	154-2765,	<b>36</b>
0141-0983,	<b>53</b>	0868-0007,	<b>23</b>	146-0850,	<b>19</b>	154-3043,	<b>35</b>
0147-0864,	<b>53</b>	0898-1348-01,	<b>15 , 17</b>	147-0856,	<b>20</b>	154-3067-01,	<b>17</b>
0147-0865,	<b>53</b>	098-6455,	<b>55</b>	147-0859,	<b>21</b>	154-3067-03,	<b>15 , 24 , 28</b>
0154-2746,	<b>53</b>	098-7315-11,	<b>55</b>	147-0860,	<b>18</b>	154-3067-04,	<b>20</b>
0154-2765,	<b>53</b>	098-7792,	<b>55</b>	147-0864,	<b>20</b>	154-3070,	<b>18 , 20</b>
0154-3085,	<b>53</b>	102-1491,	<b>33</b>	147-0865,	<b>20</b>	154-3085,	<b>15 , 17 , 18 , 24 , 28</b>
0154-3112,	<b>53</b>	102-1492,	<b>33</b>	147-0866,	<b>20</b>	154-3091,	<b>35</b>
0154-3214,	<b>15</b>	104-1953-02,	<b>12</b>	147-0868,	<b>20</b>	154-3092,	<b>35</b>
0187-6006,	<b>53</b>	104-1958,	<b>12</b>	148-1131-S0,	<b>29</b>	154-3112,	<b>36</b>
0187-6015,	<b>53</b>	104-1959,	<b>12</b>	148-1145,	<b>29</b>	155-1257,	<b>55</b>
0187-6025,	<b>53</b>	104-2000-S0,	<b>12</b>	148-1158,	<b>30</b>	155-2610-02,	<b>36</b>
0187-6108,	<b>53</b>	110-3929,	<b>9</b>	148-1161,	<b>55</b>	155-3178,	<b>36</b>
0187-6224,	<b>53</b>	110-3930,	<b>9</b>	148-1205-02,	<b>26</b>	155-3387,	<b>36</b>
0187-6228,	<b>53</b>	122-0836,	<b>33</b>	148-1206-02,	<b>25</b>	155-3468,	<b>36 , 55</b>
0187-6230,	<b>53</b>	123-2109,	<b>31</b>	148-1207-02,	<b>25</b>	155-3469,	<b>36 , 55</b>
0187-6234,	<b>53</b>	134-5188-02,	<b>38</b>	148-1208-02,	<b>26</b>	155-3470,	<b>36 , 55</b>
0187-6236,	<b>53</b>	134-5189-02,	<b>38</b>	148-1215-02,	<b>26</b>	155-3471,	<b>36 , 55</b>
0187-6239,	<b>53</b>	134-5205-01,	<b>40</b>	148-1258,	<b>25 , 26</b>	155-3481-01,	<b>55</b>
0187-9170,	<b>53</b>	134-5211,	<b>41 , 43</b>	148-1303-02,	<b>29</b>	155-3481-02,	<b>55</b>
0332-1389,	<b>15 , 17</b>	134-5212-02,	<b>36</b>	148-1337,	<b>20</b>	155-3499,	<b>36 , 55</b>
0405-4311-01,	<b>45</b>	134-5232,	<b>42 , 43</b>	149-2341,	<b>17</b>	166-0859-01,	<b>39</b>
0405-5943,	<b>45</b>	140-3116,	<b>31</b>	149-2341-01,	<b>15</b>	166-0859-02,	<b>39</b>
0405-6570,	<b>53</b>	140-3121,	<b>31</b>	149-2620,	<b>17</b>	167-1638,	<b>9</b>
0502-0313,	<b>23</b>	140-3122,	<b>31</b>	149-2628,	<b>30</b>	187-6001,	<b>9</b>
0502-0313-02,	<b>23</b>	140-3123,	<b>31</b>	149-2640-02,	<b>21</b>	187-6002,	<b>9</b>
0502-1296-02,	<b>23</b>	140-3203,	<b>41 , 43</b>	149-2645,	<b>13 , 27</b>	187-6005,	<b>9 , 33</b>
0503-1951-08,	<b>15 , 17</b>	140-3212,	<b>39</b>	149-2648,	<b>27</b>	187-6006,	<b>9 , 13</b>
0508-1116,	<b>45</b>	141-0982,	<b>15 , 17 , 18 , 24 , 28</b>	149-2661,	<b>21</b>	187-6011,	<b>33</b>
0508-1164,	<b>45</b>	141-0983,	<b>15 , 17 , 18 , 24 , 28</b>	150-2685,	<b>19</b>	187-6012,	<b>33</b>
0509-0196,	<b>53</b>	146-0773,	<b>15 , 17 , 24 , 28</b>	150-2743,	<b>13</b>	187-6015,	<b>9</b>
0509-0307,	<b>53</b>	146-0774,	<b>15</b>	150-2744-02,	<b>13</b>	187-6016,	<b>9</b>
0509-0349,	<b>53</b>	146-0782-S0,	<b>18 , 19</b>	150-2745,	<b>13</b>	187-6025,	<b>9</b>
0516-0258,	<b>45</b>	146-0786,	<b>19</b>	150-2747,	<b>13</b>	187-6026,	<b>9</b>
0518-0533,	<b>15 , 17</b>	146-0790,	<b>24</b>	150-2748,	<b>13</b>	187-6030,	<b>9</b>
0518-0548-04,	<b>15 , 17</b>	146-0791,	<b>28</b>	150-2771,	<b>13</b>	187-6033,	<b>9</b>
0526-0130,	<b>45</b>			151-0718,	<b>19</b>	187-6035,	<b>9</b>
0526-0394,	<b>45</b>			151-0719,	<b>19</b>	187-6036,	<b>33</b>

# Numerical Index

<u>Part No.</u>	<u>Page</u>	<u>Part No.</u>	<u>Page</u>	<u>Part No.</u>	<u>Page</u>	<u>Part No.</u>	<u>Page</u>
187-6042,	10	187-6252,	11	307-2938-S0,	30	332-2319,	46 , 47
187-6043,	10	187-6255,	11	307-2955,	25 , 26	332-2904,	38
187-6044,	10	187-6256,	11	308-1019,	49 , 50 , 51	332-2928,	49 , 50
187-6045,	10	187-6257,	11	308-1038,	48	332-3708,	39
187-6055,	11	187-6258,	11	319-4307-01,	48	337-0049,	41 , 43
187-6056,	11	187-6259,	11	319-4308,	48	338-3609,	50
187-6057,	11	187-6260,	11	320-1322,	48	338-3706,	48
187-6058,	11	187-6262,	33	320-1323,	48	338-3847,	49
187-6059,	11	187-6263,	33	320-2003-01,	48	338-3960-01,	21
187-6060,	11	187-6265,	33	321-0307-04,	50 , 51 , 52	402-0727,	41 , 43
187-6085,	13	187-6266,	33	321-0325,	51 , 52	402-0733,	41 , 43
187-6092,	13	187-6268,	33	323-1605-01,	49	402-0744,	41 , 43
187-6108,	33	187-6269,	33	323-1614-01,	49 , 50	402-0745,	41 , 43
187-6111,	33	187-6270,	13	323-1615,	49 , 50	402-0746,	41 , 43
187-6112,	33	187-6271,	13	323-1707,	21	402-0754,	36
187-6223,	9	187-6272,	13	323-1708,	21 , 49 , 50 , 51 , 52	402-0755,	36
187-6224,	9	187-6238,	9	323-1709,	21 , 49 , 50	402-0760,	21
187-6225,	9	187-9170,	33	323-1712,	50 , 52	403-4201-01,	41
187-6226,	9	190-0753,	12	323-1741,	49 , 50 , 51 , 52	403-4201-03,	43
187-6227,	9	190-0754,	12			403-5490,	46
187-6228,	33	190-0758,	12	323-1743,	49 , 50 , 51	403-6484,	39
187-6229,	33	190-0758-S0,	12	323-1810,	50	405-4311-01,	44
187-6230,	9	190-0759,	12	323-1812,	50 , 52	405-5940,	44
187-6231,	33	193-0469,	20	323-1813,	50 , 52	405-5943,	44
187-6232,	9	193-0480,	20	323-1814,	50 , 52	405-6094,	42
187-6233,	9	201-3638-01,	46	323-1815,	50 , 52	405-6103,	35 , 47
187-6234,	9	201-3638-02,	46	323-1816,	50 , 52	405-6570,	41 , 43
187-6235,	9	204-0141,	46	323-1817,	50 , 52	405-6698,	55
187-6236,	9	205-0265,	12	323-1818,	50	405-6699,	55
187-6239,	33	211-0494-02,	46 , 47	323-1819,	51	405-6701,	46
187-6241,	9	211-0500-02,	46 , 47	323-1819-01,	50	405-6915-01,	44
187-6242,	10	211-0508,	46 , 47	323-1860,	49	405-6916-01,	44
187-6243,	10	212-1276-03,	46 , 47	323-1861,	49 , 51	405-6918-01,	44
187-6244,	10	212-1303,	46 , 47	323-1871,	51	502-0090,	30
187-6245,	10	212-1304,	47	323-1884,	21 , 50 , 52	502-0313,	22
187-6246,	10	220-4544-S1,	46	323-1889,	21	502-0313-02,	22
187-6247,	10	220-4544-S2,	46	323-1890,	21 , 50 , 52	502-1296-02,	22 , 30
187-6248,	10	226-4813,	21	323-2568,	51 , 52 , 54	502-1314,	20
187-6249,	10	300-5374,	48	331-0569,	41 , 43	502-1329-01,	27
187-6250,	10	300-5503,	48	332-0941,	21	502-1339,	30
187-6251,	10	307-2935,	30	332-1794,	55	502-1344-01,	29

# Numerical Index

<u>Part No.</u>	<u>Page</u>	<u>Part No.</u>	<u>Page</u>	<u>Part No.</u>	<u>Page</u>	<u>Part No.</u>	<u>Page</u>
502-1346-01, <b>29</b>		508-1134, <b>39</b>		541-1002, <b>21</b>		821-2033, <b>12 , 29</b>	
502-1347-01, <b>30</b>		508-1142, <b>39</b>		541-1222, <b>15</b>		821-2046, <b>29</b>	
502-1348-01, <b>30</b>		508-1145, <b>41</b>		541-1428, <b>9</b>		821-2096-02, <b>13 , 29</b>	
502-1353-01, <b>29 , 30</b>		508-1155, <b>44</b>		543-0002-01, <b>55</b>		823-0003-04, <b>27</b>	
502-1366, <b>30</b>		508-1164, <b>44</b>		718-1002, <b>20</b>		823-0015, <b>44</b>	
502-1367-04, <b>30</b>		508-1182, <b>41 , 43</b>		800-0026, <b>36 , 55</b>		850-0045, <b>39</b>	
502-1511, <b>21</b>		509-0196, <b>9</b>		800-0730, <b>36</b>		850-2005, <b>20</b>	
503-0103, <b>33</b>		509-0307, <b>33</b>		800-2031, <b>34</b>		850-2006, <b>20</b>	
503-1445-04, <b>29</b>		509-0349, <b>41 , 43</b>		800-2033, <b>20</b>		850-2008, <b>33</b>	
503-1951-08, <b>17 , 18</b>		509-0420, <b>46 , 47</b>		800-2040, <b>30</b>		851-0045, <b>46 , 47</b>	
503-1951-10, <b>15 , 18</b>		510-0202-01, <b>12</b>		800-2090, <b>12</b>		854-0028, <b>22 , 30</b>	
503-1951-13, <b>18</b>		511-0190-01, <b>12</b>		800-3009, <b>19</b>		856-0008, <b>41 , 43</b>	
503-1951-20, <b>24 , 25 , 26 , 28 , 29 , 30</b>		511-0190-02, <b>12</b>		800-6361, <b>33</b>		862-0003, <b>21</b>	
503-1952-06, <b>24</b>		512-0194, <b>12</b>		815-0384, <b>41</b>		862-0015, <b>41 , 43</b>	
503-2143-01, <b>24</b>		512-0200, <b>12</b>		815-0508, <b>41 , 43</b>		868-0007, <b>22 , 30</b>	
503-2143-02, <b>29</b>		512-0208, <b>12</b>		815-0550-03, <b>48</b>		870-0065, <b>21</b>	
503-2143-03, <b>28</b>		512-0243, <b>12</b>		815-0753, <b>15 , 17 , 29 , 36 , 38 , 42 , 43 , 46 , 47</b>		870-0212, <b>25 , 26</b>	
503-2144-01, <b>25 , 26</b>		512-0274, <b>12</b>		815-0770, <b>21</b>		870-0257, <b>36 , 55</b>	
503-2171-01, <b>24</b>		515-0094, <b>12</b>		815-0776, <b>30</b>		870-0462, <b>36 , 44</b>	
503-2176, <b>35</b>		516-0258, <b>44</b>		815-0793-05, <b>39</b>		870-0506, <b>13</b>	
503-2190, <b>21</b>		517-0136, <b>41</b>		815-0829-06, <b>12 , 41 , 43 , 46 , 47</b>		870-0557, <b>35 , 36</b>	
503-2191, <b>29</b>		517-0351-01, <b>42</b>		815-0836, <b>41 , 43</b>		870-0558, <b>13</b>	
503-2736-02, <b>18</b>		518-0515, <b>9</b>		815-0927-01, <b>46 , 47</b>		870-2055, <b>55</b>	
503-2737-01, <b>18</b>		518-0548-04, <b>18</b>		815-0927-02, <b>46 , 47</b>		870-2065-02, <b>12 , 31</b>	
503-2737-03, <b>15</b>		518-0548-44, <b>25 , 26</b>		815-0930, <b>12</b>		870-2222, <b>39</b>	
503-2848, <b>20</b>		518-0672, <b>19</b>		815-0941-03, <b>25 , 26 , 31 , 48</b>		895-0394, <b>18</b>	
504-0150, <b>33</b>		520-1015, <b>15 , 17 , 18 , 24 , 28</b>		815-0943-02, <b>48</b>		898-1347, <b>18</b>	
504-0203, <b>24</b>		526-0003, <b>19</b>		815-0954-03, <b>33</b>		898-1349, <b>55</b>	
504-0204, <b>24 , 33</b>		526-0017, <b>12</b>		815-0954-05, <b>39</b>		98-7535-03, <b>55</b>	
505-0057, <b>29</b>		526-0018, <b>21 , 30 , 36</b>		815-0954-08, <b>15 , 17 , 18 , 24 , 28</b>		A026H890, <b>35</b>	
505-1567, <b>13</b>		526-0065, <b>33</b>		815-0969-02, <b>40</b>		A029F887, <b>15</b>	
505-1572, <b>15 , 17</b>		526-0130, <b>44</b>		815-0969-03, <b>40</b>		A029J450, <b>17</b>	
505-1573, <b>15</b>		526-0172, <b>12</b>		815-1543, <b>41 , 43</b>		A029M248, <b>15 , 18</b>	
505-1585, <b>25 , 26</b>		526-0394, <b>44</b>		818-0226-02, <b>44</b>		A029P528, <b>33</b>	
505-1587, <b>27</b>		526-0448, <b>41 , 43</b>		819-1145, <b>44</b>		A029S253, <b>15</b>	
505-1589, <b>25 , 26</b>		526-0449, <b>41 , 43</b>		821-0004, <b>27</b>		A029X211, <b>29</b>	
505-1604, <b>25 , 26</b>		526-0461, <b>12</b>		821-0009, <b>21</b>		A030C565, <b>36</b>	
505-2023, <b>25 , 26</b>		526-2100, <b>55</b>		821-0010, <b>39</b>		A030C572, <b>12</b>	
505-2026, <b>25 , 26</b>		541-0678, <b>55</b>		821-0018, <b>25 , 26</b>		A030C589, <b>42</b>	
508-1116, <b>44</b>		541-0765, <b>15</b>				A030H483, <b>35</b>	
508-1133, <b>39</b>		541-0796, <b>44</b>				A030J333, <b>34</b>	

# Numerical Index

<u>Part No.</u>	<u>Page</u>	<u>Part No.</u>	<u>Page</u>	<u>Part No.</u>	<u>Page</u>	<u>Part No.</u>	<u>Page</u>
A030J339,	34						
A030J351,	34 , 37						
A030J361,	34						
A030J367,	36						
A030M065,	37						
A030T642,	17 , 18						
A030T897,	45						
A030T899,	45						
A030W739,	45						
A030W741,	45						
A030W745,	45						
A032X745,	55						
A032Y912,	48						
A035H735,	45						
A035H737,	45						
A035H739,	45						
A035H749,	45						
A040E710,	51						
A040E712,	52						
A040F491,	17						
A040N099,	17						
A041E117,	34						
A041P558,	17						
A043B658,	17						
A043B781,	17						
A047C768,	45						
A047C770,	45						
A047N988,	45						
A053J366,	47						
A053T562,	47						
A053W561,	47						
A056M508,	9						
A056M510,	9						
A056M512,	9						
A056M514,	9						



[power.cummins.com](http://power.cummins.com)

Copyright © 2018 Cummins Inc. All rights reserved.

Cummins, Onan, and the "C" logo are registered trademarks of Cummins Inc. and its subsidiaries.

Other company, product, or service names may be trademarks or service marks of others.

Specifications are subject to change without notice.

